

ORA DUAL WHITE PANEL US REMOTE 3Z

DESCRIPTION:

ORA Dual White Panel US Remote 3Z features a high-precision capacitive touch screen IC for stable and reliable touch performance. It utilizes 2.4GHz RF wireless technology for long-range control, low power consumption, and fast data transmission. The remote is compatible with a range of our smart LED lighting products, such as LED bulbs and controllers, ensuring seamless integration and convenience for users.



FEATURES:

- **Efficient Performance:** Ensures quick and responsive control of connected devices.
- **User-Friendly Design:** Features a sleek glass panel for an intuitive and modern user experience.
- **Wide Compatibility:** Designed to seamlessly work with a variety of smart LED lighting products, such as controllers and bulbs.
- **High Precision Touch:** Equipped with a capacitive touch screen IC, ensuring stable and reliable touch performance.
- **Wireless Technology:** Utilizes 2.4GHz RF technology for long-range control, low power consumption, and fast data transmission.



APPLICATIONS:

- Lighting Control
- User Interface Design
- Control Options
- Customization
- Settings and Preferences

TECHNICAL SPECIFICATIONS:

| | |
|---------------------------|--------------------|
| Working Voltage | 3V(2* AAA battery) |
| Standby Power Consumption | 20 μ A |
| Working Tempertaure | 14°F-104°F |
| Dimensions | 4.6*2.87inches |
| Transmission Frequency | 2.4GHz |
| Transmitting Power | 6dBm |
| Control Distance | 98ft |

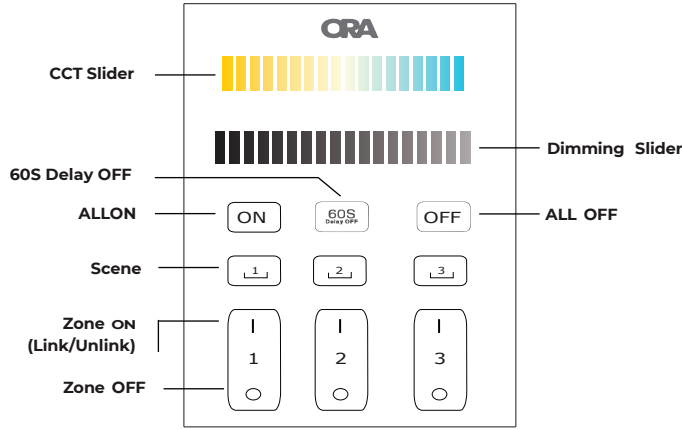
DIMENSIONS:



KEY FUNCTIONS:

When a button is pressed, the LED indicator will blink once and a sound will be heard. However, touching the slider will not produce any sound.

Dual white panel US remote(2.4G)



Adjusting Settings:

- Use the color temperature slider to adjust the light's color tone.
- Adjust the brightness by using the dimming slider, ranging from 1% to 100%.



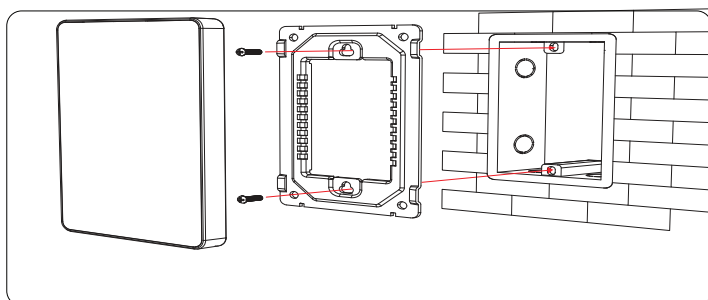
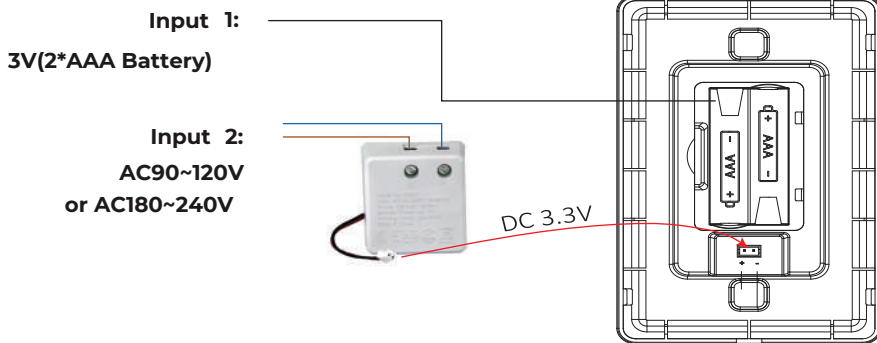
Master Controls:

- Press the master ON button to turn on all connected lights. Hold the button for 5 seconds to enable the indicating sound.
- Press the master OFF button to turn off all connected lights. Hold the button for 5 seconds to disable the indicating sound.

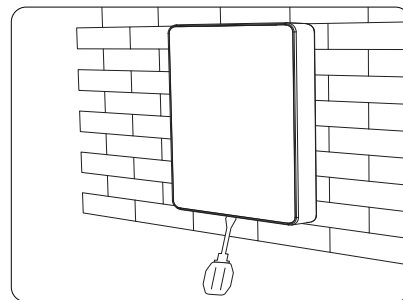
Scene Activation and Saving:

- A short press on the button activates a pre-set scene.
- To save the current brightness and color temperature settings, press and hold the button for 3 seconds. The light will flash slowly once to confirm the successful save.

INSTALLATION:



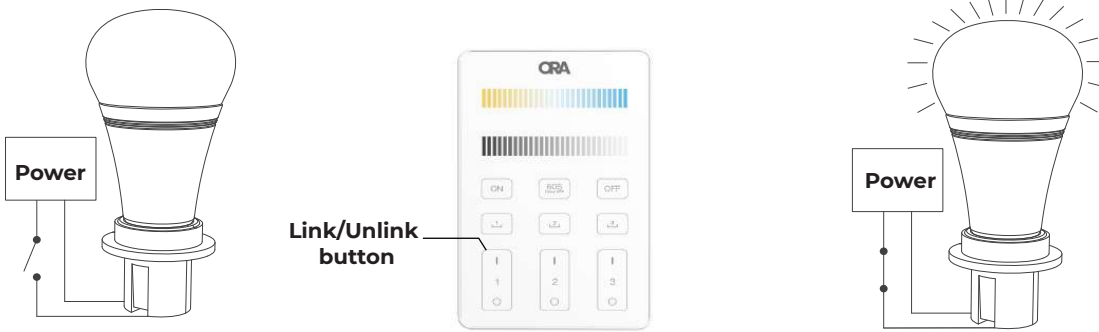
Installation



Dismantling

LINK/UNLINK:

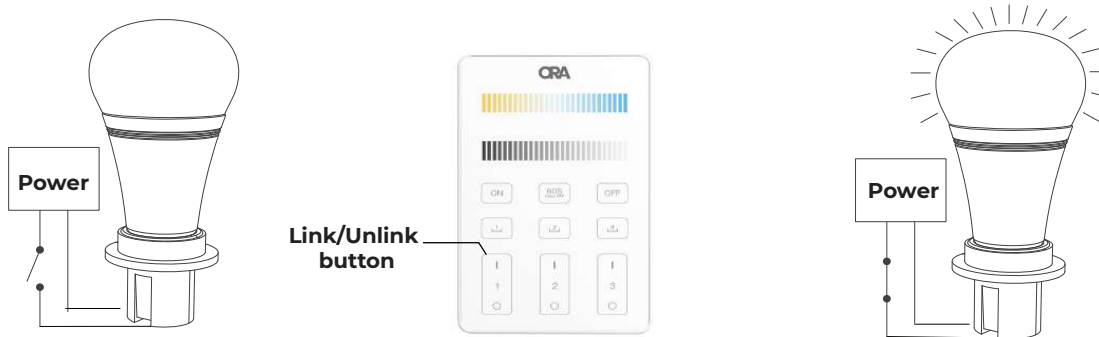
1. Linking Instructions:



- 1** Switch off the light, after 10 seconds switch on again
- 2** As soon as the light turns on, Quickly press any zone ON "↶" 3 times within 3 seconds
- 3** When the light blinks 3 times, you have successfully linked a remote with it.

! If the light does not blink three times, the linking attempt has failed. Please turn off the light, then repeat the steps outlined above to try again.

2. Unlinking Instructions:



- 1** Switch off the light, after 10 seconds switch on again
- 2** As soon as the light turns on, Quickly press any zone ON "↶" 5 times within 3 seconds
- 3** When the light blinks 10 times, you have successfully unlinked it from this remote.

Unlinking must be the same zone with the Linking

! If the light does not blink quickly, the unlinking process has failed. Please turn off the light and repeat the steps above to unlink again.

INSTALLATION:

1. During installation, handle the glass panel carefully to prevent any damage.
2. Avoid using the remote in high humidity or extreme temperature environments. If the remote will not be used for an extended period, remove the battery and store it in a dry, static-free area.
3. Also, keep the remote away from metal objects and strong magnetic fields as they can interfere with the signal and reduce its range.

DC 3.3V POWER & US PANEL REMOTE (SOLD SEPARATELY):

POWER SUPPLY SPECIFICATION:

- SKU:MILI-REM-POWER
- Input Voltage:AC100-240V 50/60Hz
- Output:DC3.3V 200mA
- Standby Power:<0.1w
- Working Temperature:-20-60°F

