

# LED CYLINDER LIGHT

## DESCRIPTION:

The LED Cylinder Light is a sleek, architectural lighting solution designed for commercial applications. Available in pendant and surface mount configurations, it features a modular design with multiple beam options and high visual comfort COB LED technology. Built with a die-cast aluminum housing and a durable powder-coated finish, this fixture ensures long-lasting performance while maintaining an elegant aesthetic.

## FEATURES:

- Modular design with interchangeable beam spreads
- High-efficiency COB LED chip with 80+ or 90+ CRI
- Selectable wattage options
- 0-10V dimming (10% standard, 1% optional) and TRIAC dimming
- Available beam angles: 15°, 24°, 36°, and 60°
- Architectural sizes: 4", 6", and 8"
- Pendant or surface mounting configurations
- Damp location rated for commercial environments (cULus listed)
- Aluminum housing with powder-coated white or black finish
- Efficient thermal management for extended lifespan
- Five-year warranty for parts and components



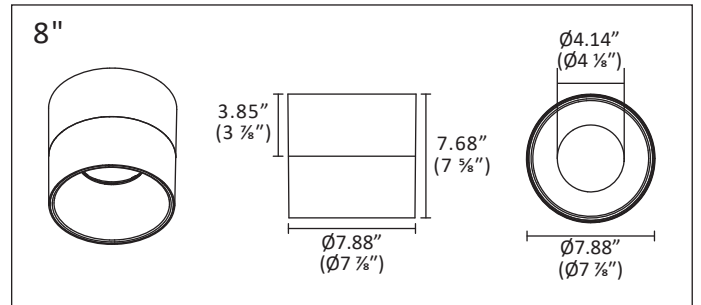
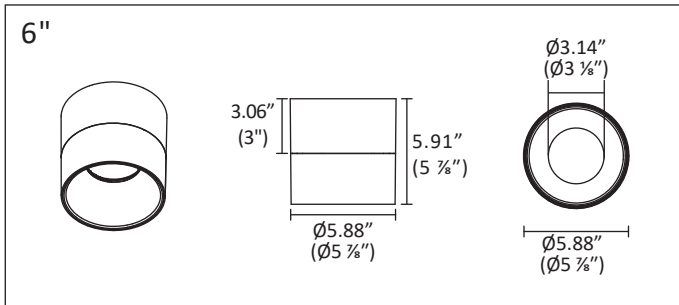
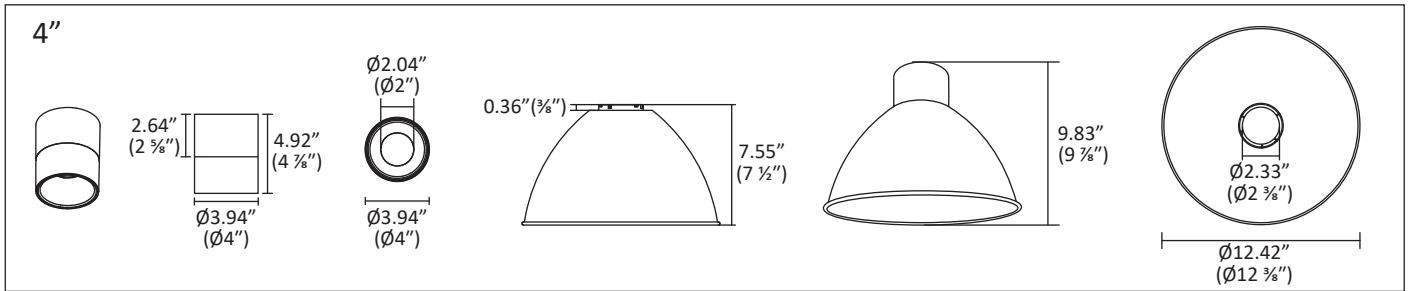
## APPLICATIONS:

- Commercial spaces
- Office buildings
- Retail stores
- Hospitality venues
- Conference rooms
- Lobbies and atriums

## PERFORMANCE TABLE:

Size	Wattage Selectable	2700K		3000K		3500K		4000K	
		Ra>80	Ra>90	Ra>80	Ra>90	Ra>80	Ra>90	Ra>80	Ra>90
4"	25W/18W/12W	2250lm 90lm/w	1900lm 76lm/w	2375lm 95lm/w	2000lm 80lm/w	2450lm 98lm/w	2050lm 82lm/w	2500lm 100lm/w	2100lm 84lm/w
6"	40W/30W/20W	4000lm 100lm/w	3400lm 85lm/w	4200lm 105lm/w	3560lm 89lm/w	4320lm 108lm/w	3640lm 91lm/w	4400lm 110lm/w	3720lm 93lm/w
8"	58W/45W/30W	4930lm 85lm/w	4176lm 72lm/w	5220lm 90lm/w	4408lm 76lm/w	5394lm 93lm/w	4524lm 78lm/w	5510lm 95lm/w	4640lm 80lm/w

Correlated Trim Color Multiplier	Black Trim	Gold Trim	Chrome Trim
Multiplier for Lumen Output	0.92	0.97	0.94

**DIMENSIONS:**

**TECHNICAL SPECIFICATIONS:**

Voltage	120-277V AC
LED Type	COB LED chip (80+ or 90+ CRI)
CCT Options	2700K, 3000K, 3500K, 4000K
Beam Angles	15°, 24°, 36°, 60°
Dimming	0-10V dimming (10% standard, 1% optional), TRIAC dimming available
Power Factor	>0.9
THD	<20%
Operating Temperature	-4°F to +104°F
Construction	Rigid die-cast aluminum housing with white or black powder-coated finish
Mounting Options	Pendant or surface mount
Damp Location Rated	Yes

**NOTES:**

- The fixture should operate in ambient temperatures not exceeding 104°F.
- Designed for interior use only.

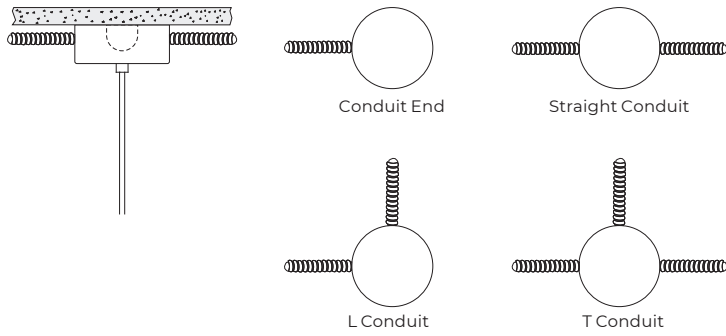
**MOUNTING:**

- **Cable Mount:** Includes a white or black power cable in 2 ft, 4 ft, or 8 ft lengths, field-cutttable to the desired length.
  - 4" model uses only the power cable for suspension.
  - 6" and 8" models use separate power and aircraft cables.
- **Pendant Stem Mount:** Steel stem (Ø12/25") available in white or black, with length options of 2 ft, 4 ft, or 8 ft.

**CANOPY OPTIONS:**

- **Flat Canopy for Recessed J-Box:** Compatible with 3" or 4" octagonal and 4" round recessed junction boxes. Includes a 4.5" flat canopy in white or black.
- **Conduit Cutout Deep Canopy for Surface-Mount J-Box:** 5.97" round x 2.38" deep canopy with conduit cutout for 1/2" or 3/8" conduit installations. Features four key slots for flexible ceiling layouts and is available in white or black.

**EXAMPLE OF CONDUIT CUTOUT MOUNTING:**



**CONFIGURATION:**

White Exterior Finishes



Black Exterior Finishes



**PENDANT OPTIONS:**

Pendant with Flat Canopy for Recessed Junction Box

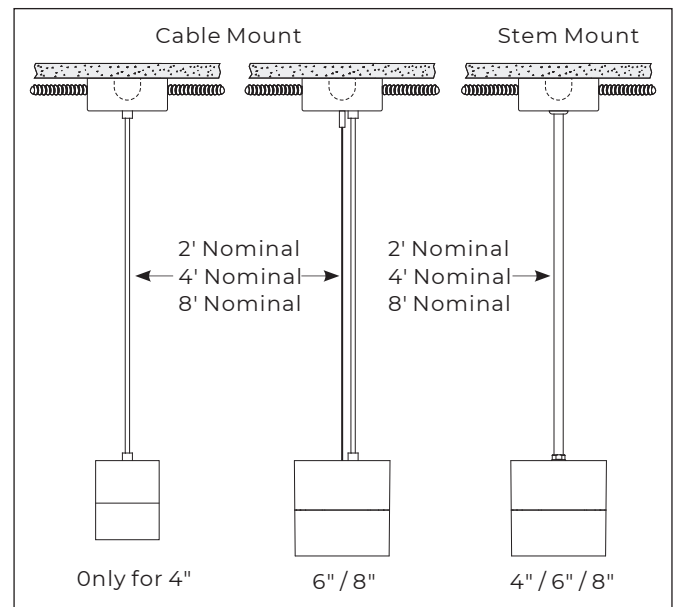
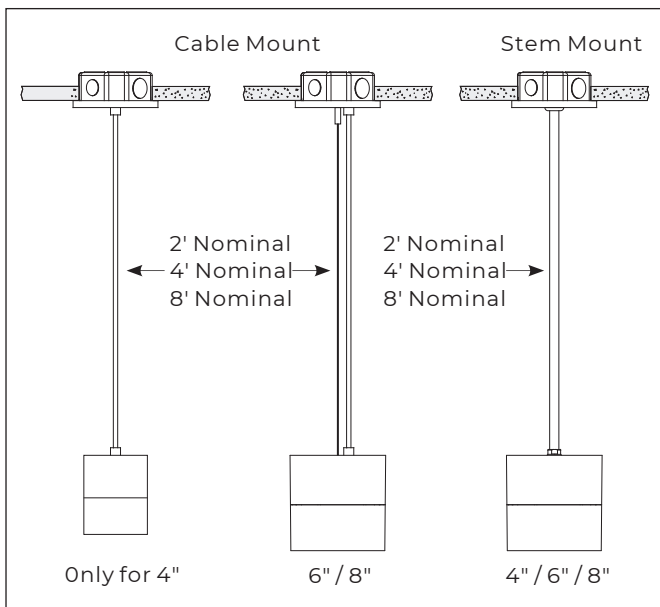


Cable Mount 4"  
Cable Mount 6" / 8"  
Rigid Pendant Stem Mount 4" / 6" / 8"  
Rigid Pendant Stem Mount 4" / 6" / 8" Tilt up to 30°

Pendant with Conduit Cutout Deep Canopy for Surface-Mounted 4" Octagonal Junction Box

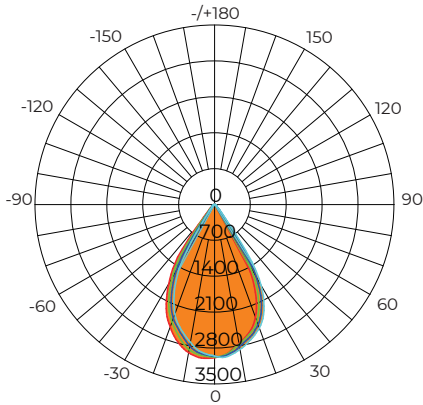


Cable Mount Conduit Cutout 4"  
Cable Mount Conduit Cutout 6" / 8"  
Rigid Pendant Stem Conduit Cutout Surface Mount 4" / 6" / 8"  
Rigid Pendant Stem Conduit Cutout Surface Mount 4" / 6" / 8" Tilt up to 30°



**DISTRIBUTION DIAGRAM:**

4" / 3000K / 60°

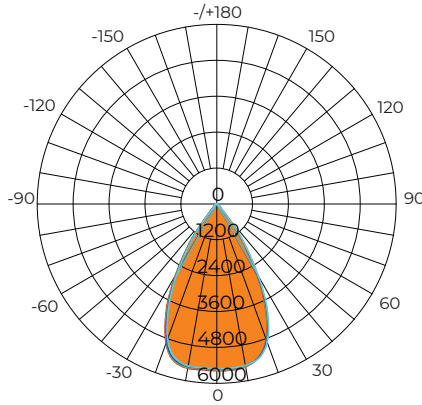


AVERAGE BEAM ANGLE(50%): 61.0°

Lumens: 2612.6 Lm  
 Watts: 25 W  
 LPW: 103.94 Lm/W  
 CCT: 3000K

UNIT:cd  
 — C0/180,61.0°  
 — C30/210,61.1°  
 — C60/240,61.1°  
 — C90/270,60.7°

6" / 3000K / 60°

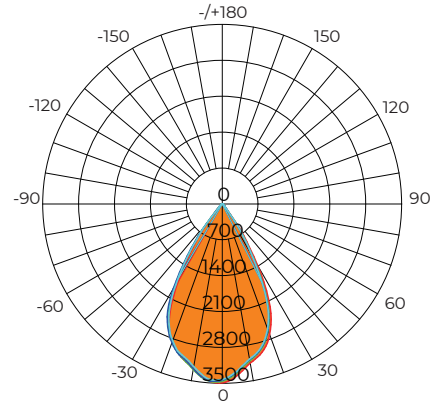


AVERAGE BEAM ANGLE(50%): 59.6°

Lumens: 5046.4 Lm  
 Watts: 45 W  
 LPW: 111.38 Lm/W  
 CCT: 3000K

UNIT:cd  
 — C0/180,59.5°  
 — C30/210,59.5°  
 — C60/240,59.6°  
 — C90/270,59.6°

8" / 3000K / 60°



AVERAGE BEAM ANGLE(50%): 57.7°

Lumens: 6000.6 Lm  
 Watts: 60 W  
 LPW: 95.85 Lm/W  
 CCT: 3000K

UNIT:cd  
 — C0/180,57.5°  
 — C30/210,57.8°  
 — C60/240,58.0°  
 — C90/270,57.5°

**ORDERING GUIDE:**

SKU: OK-CY-4-R-WHT				
Brand	Type	Size	Shape	Color
OK	CY (Cylinder)	4 6 8	R (Round)	WHT (White) BLK (Black)