

ARM/POLE MOUNT FOR FLOOD LIGHT:

Description:

This is a universal mounting arm designed for Flood Light usage, which includes a K/O (knockout) to facilitate the installation of a Photocell or sensor. It comes equipped with two 5/16" hex-head stainless-steel bolts and two 1/2" hex-head stainless-steel screws. This mounting arm is appropriate for use on 4" & 5" square poles.



Features:

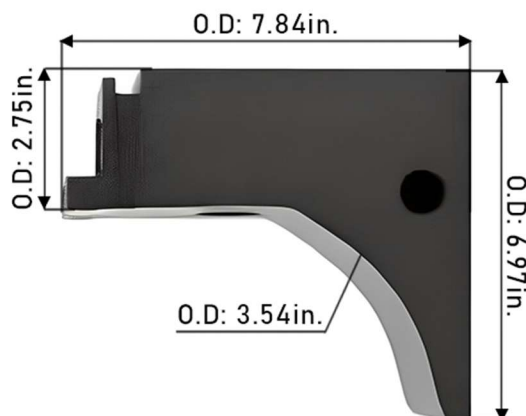
- SKU: NUR-MNT04-PM(ARM)-BNZ
- Finish: Dark Bronze
- This Arm/Pole Mount for Flood Light is an excellent choice that provides a simple and cost-effective solution for any lighting project.
- This mount has been designed specifically for flood lighting projects, making it an ideal choice for those who want to achieve high-quality illumination.

Applications:

- Parking lot lighting
- Sidewalk street lighting
- Basketball court lighting
- Other outdoor lighting fixture

Dimensions:

Unit: Inch



Can be used with:

Flood Light FL04:

- SKU: NUR-FL04-150W-5000K
NUR-FL04-200W-5000K
NUR-FL04-300W-5000K
- Wattage: 150W, 200W, 300W
- Input Voltage: 120-277V AC
- Color Temperature: 5000K
- Lumens: 20800lm, 26000lm, 41000lm
- Finish: Dark Bronze



Flood Light FL05:

- SKU: NUR-FL05-100W-5000K
NUR-FL05-250W-5000K
NUR-FL05-300W-5000K
- Wattage: 100W, 250W, 300W
- Input Voltage: 347-480V AC
- Color Temperature: 5000K
- Lumens: 14200lm, 35000lm, 42000lm
- Finish: Dark Bronze

