

# ORA SINGLE PANEL US REMOTE 3-ZONE

## DESCRIPTION:

ORA Single Panel US remote 3-Zone features a high-precision capacitive touch screen IC for stable and reliable touch performance. It utilizes 2.4GHz RF wireless technology for long-range control, low power consumption, and fast data transmission. The remote is compatible with a range of our smart LED lighting products, such as LED bulbs and controllers, ensuring seamless integration and convenience for users.



## FEATURES:

- **Efficient Performance:** Ensures quick and responsive control of devices.
- **User-Friendly Design:** Features a sleek glass panel for an intuitive and modern user experience.
- **Wide Compatibility:** Designed to seamlessly work with a variety of smart LED lighting products, such as controllers and bulbs.
- **High Precision Touch:** Equipped with a capacitive touch screen IC, ensuring stable and reliable touch performance.
- **Wireless Technology:** Utilizes 2.4GHz RF technology for long-range control, low power consumption, and fast data transmission.



## APPLICATIONS:

- Lighting Control
- User Interface Design
- Control Options
- Customization
- Settings and Preferences

## TECHNICAL SPECIFICATIONS:

Working Voltage	3V(2* AAA battery)
Standby Power Consumption	20µA
Working Tempertaure	14°F-104°F
Dimensions	4.64*2.83*1.65inches
Transmission Frequency	2.4GHz
Transmitting Power	6dBm
Control Distance	98ft

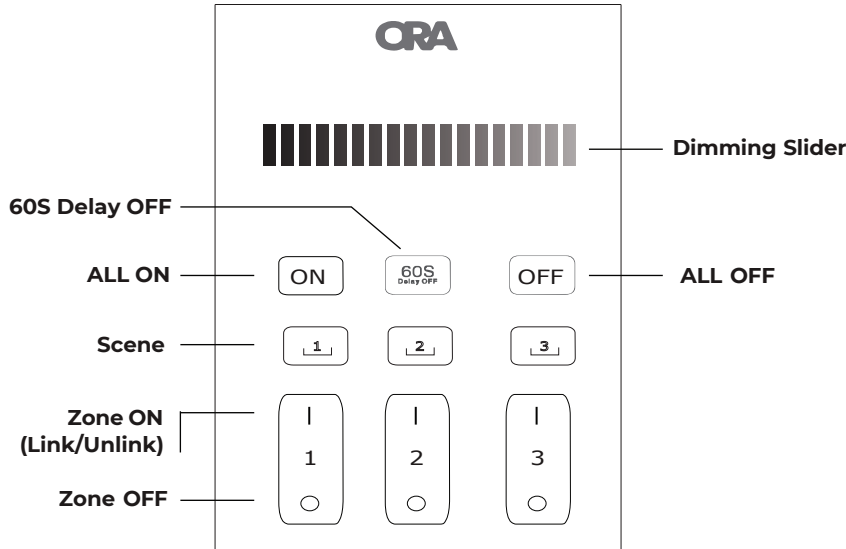
## DIMENSIONS:



**KEY FUNCTIONS:**

When a button is pressed, the LED indicator will blink once and a sound will be heard. However, touching the slider will not produce any sound.

**Single Panel US remote (2.4G)**



**Brightness Adjustment:** Use the touch dimming slider to adjust the brightness level from 1% to 100%.

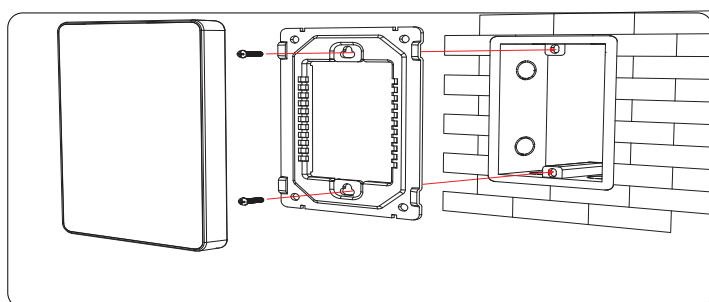
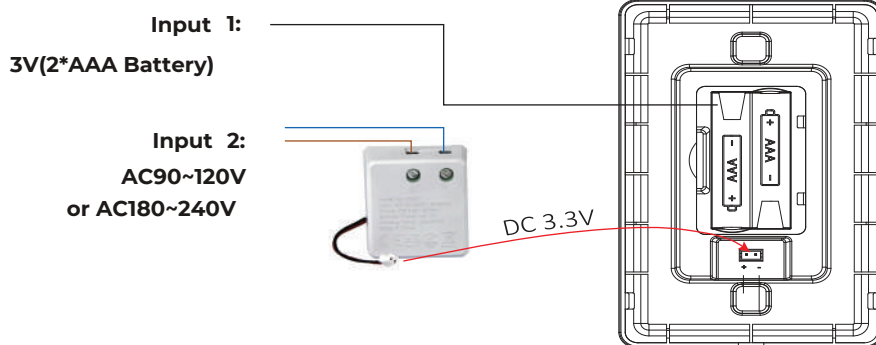
**Master Control - ON:** Tap the "Master ON" button to turn on all connected lights. To enable the indicator sound, press and hold the button for 5 seconds.

**Master Control - OFF:** Tap the "Master OFF" button to turn off all connected lights. To disable the indicator sound, press and hold the button for 5 seconds.

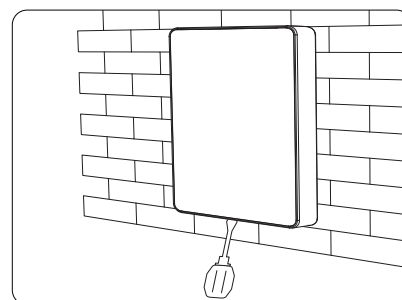
**Scene Activation:** Briefly press the button to activate a preset scene.

**Brightness Memory:** Press and hold the button for 3 seconds to save the current brightness level. The light will flash once slowly to confirm that the brightness has been saved successfully.

**INSTALLATION:**



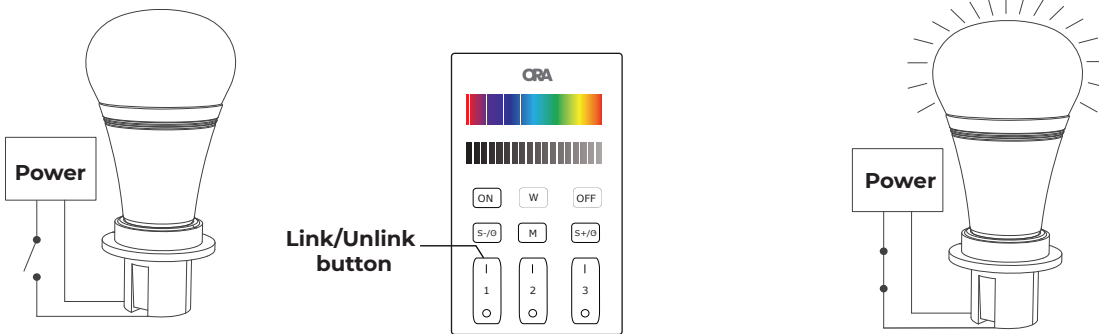
Installation



Dismantling

**LINK/UNLINK:**

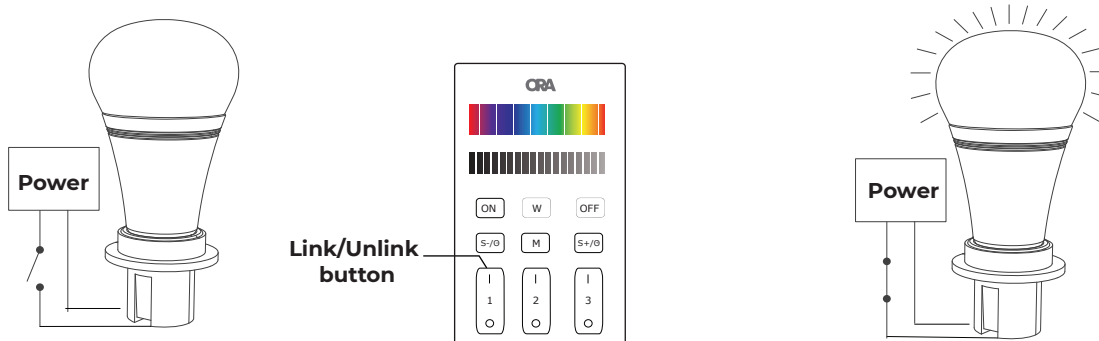
**1. Linking Instructions:**



- 1** Switch off the light, after 10 seconds switch on again
- 2** As soon as the light turns on, Quickly press any zone ON " I O " 3 times within 3 seconds
- 3** When the light blinks 3 times, you have successfully linked a remote with it.

**!** If the light does not blink three times, the linking attempt has failed. Please turn off the light, then repeat the steps outlined above to try again.

**2. Unlinking Instructions:**



- 1** Switch off the light, after 10 seconds switch on again
- 2** As soon as the light turns on, Quickly press any zone ON " I O " 5 times within 3 seconds
- 3** When the light blinks 10 times, you have successfully unlinked it from this remote.

**Unlinking must be the same zone with the Linking**

**!** If the light does not blink quickly, the unlinking process has failed. Please turn off the light and repeat the steps above to unlink again.

**INSTALLATION:**

1. During installation, handle the glass panel carefully to prevent any damage.
2. Avoid using the remote in high humidity or extreme temperature environments. If the remote will not be used for an extended period, remove the battery and store it in a dry, static-free area.
3. Also, keep the remote away from metal objects and strong magnetic fields as they can interfere with the signal and reduce its range.

**DC 3.3V POWER & US PANEL REMOTE (SOLD SEPARATELY):**

**POWER SUPPLY SPECIFICATION:**

- SKU:MILI-REM-POWER
- Input Voltage:AC100-240V 50/60Hz
- Output:DC3.3V 200mA
- Standby Power:<0.1w
- Working Temperature:-20-60°F

