

**LED CITY**<sup>®</sup>  
SIGNS & LIGHTS



**COMMERCIAL  
CATALOG 2025**



# LED CITY<sup>®</sup>

## SIGNS & LIGHTS



At LED City we are passionate about lighting! We love to collaborate with our customers to find the best lighting solutions for your projects.



# CONTENTS

## 03

---

### DEALER PROGRAM

## 04

---

### OUR SERVICES

## 05

---

### RESIDENTIAL DOWNLIGHTING

- 06 5 in 1 CCT Tunable Downlight
- 07 Adjustable CCT LED Disklight

## 08

---

### COMMERCIAL RETROFIT

- 09 High Output Double PCB V Shaped Tube
- 10 6CCT Adjustable Integrated Fixture
- 11 T8 Standard LED Tube Light (Ballast Bypass)
- 12 T8 Standard LED Tube Light (8FT)
- 13 LED G24 PL Lamp

## 14

---

### COMMERCIAL INTERIOR

- 15 LED Linear Strip
- 16 Architectural Linear Strip Light
- 17 LED Backlit Panel Light
- 18 Commercial Downlight
- 19 Commercial Downlight 6"
- 20 Recessed Slim Linear Fixture
- 21 Surface Slim Linear Fixture
- 22 Up/Down Linear LED Light
- 23 Vertical Linear LED Light
- 24 Track Head Universal Holder
- 25 Electrical Junction Boxes
- 26-27 Integrated Junction Box Downlight
- 28-29 Flat T-Grid Linear
- 30-31 Zeta Slim Linear Pendant Lighting

## 32

---

### HIGH BAY

- 33 LED Linear High Bay
- 34 LED UFO High Bay Watt. and CCT Adjustable
- 35 T3 High Bay

## 36

---

### COVERED PARKING

- Round Canopy Light 37
- LED Canopy Light - 3CCT 38

## 39

---

### WALL MOUNTED

- Illustration 40-41
- Slim Wall Pack 42
- LED 135W Wall Pack 43
- Dusk To Dawn Light 44

## 45

---

### PARKING LOT / POLES

- Illustration 46-47
- LED Flood Light FL08 48-49
- Flood Light FL11 50
- LED Post Top Light 51
- Lexin 52
- Poles 53
- Pole Accessories 54- 55

## 56

---

### EXIT/EMERGENCY

- Exit Light 57
- Exit Sign + Light Combo 58
- LED Emergency Light Head 59
- Edge Lit Exit Sign 60



# CONTRACTOR'S PROGRAM

## DEMO CHECKOUT

Borrow samples of the latest in-demand products to demonstrate for your client.

## QUARTERLY CREDIT BACK

Purchase more than \$5000 of goods on carry quarter & earn 4% as credit towards your next quarter's purchase.

## BULK/DISCOUNTED PRICES

Special prices exclusive for dealers.

## FREE DELIVERY

Free local delivery within 30 miles of LED CITY for any order of \$1000 or more.

## FREE TRAINING

Product and installation training on any LED CITY'S products for dealers and their associates.

Signing up to our Dealer Program is FREE!  
Go to this URL:  
[ledcityusa.com/dealerprogram](http://ledcityusa.com/dealerprogram)



LIGHTING DESIGN SERVICES BY

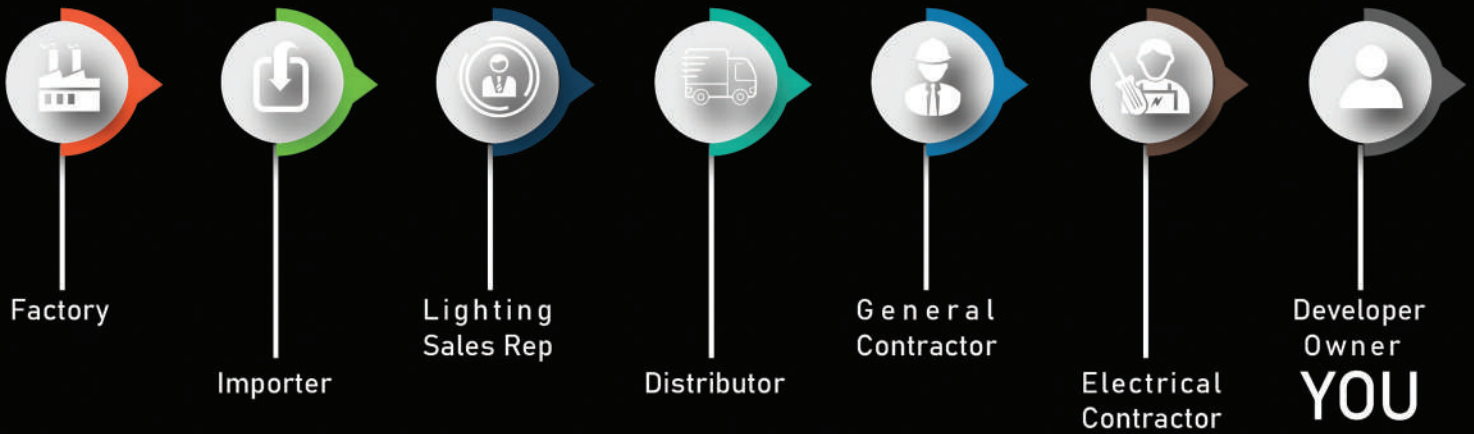
**LED CITY**<sup>®</sup>

SIGNS & LIGHTS



**WHY** LIGHTING FROM LED CITY  
**COST LESS?**

HOW MOST NORMALLY PURCHASE LIGHTING:



LED CITY SELLS DIRECT FROM THE FACTORY

**NO** MIDDLE-MEN, **LESS** MARKUP & **LESS** COST





# RESIDENTIAL DOWNLIGHT

A recessed light or downlight is a light fixture that is installed into a hollow opening in a ceiling. The housing is the fixture itself that is installed inside the ceiling and contains the lamp holder.



## CONTENT:

- 5 in 1 CCT Tunable Downlight (4 inch and 5/6 inch)
- Adjustable CCT LED Disklight

## PAGE NO#

06  
07

5/6 inch



4 inch Downlight



CCT Disklight





# 5 IN 1 CCT TUNABLE DOWNLIGHT

## DESCRIPTION :

The new CCT downlight comes with a small selector switch that allows the user to select the color temperature from 2700K/3000K/3500K/4000K/5000K. It is highly efficient and compatible with most dimmers. Suitable for residential and commercial applications.

## FEATURES :

- Aluminum housing with white finish
- Can be recessed mounted
- 80% energy savings as compared to incandescent/halogen bulbs
- E26 base



## APPLICATIONS :

- Hotels
- Corridors
- Home decoration
- Shopping malls
- Exhibition rooms

## TRIM ACCESSORY :



Brushed Nickel



Black



Bronze

- Trims sold separately



4 INCH ROUND DOWNLIGHT



5/6 INCH ROUND DOWNLIGHT

MODEL	COLOR TEMPERATURE	POWER	LUMEN OUTPUT	SIZE	INPUT VOLTAGE RANGE	AVAILABILITY
DWN-NUR-CCT-R-4-10W	Switchable Between 2700K 3000K 3500K	10W	600LM, 650LM, 700LM, 750LM, 800LM	4 INCH	120VAC	IN STOCK
DWN-NUR-CCT-R-5/6-15W	4000K 5000K	15W	1000LM, 1150LM, 1200LM, 1250LM, 1300LM	5 (extendable upto 6 INCH)		

4 inch



scan to buy



6 inch



scan to buy

# ADJUSTABLE CCT LED DISKLIGHT

## DESCRIPTION :

Our Adjustable CCT LED Disk Downlight is perfect for commercial and residential use, featuring adjustable color temperature and an energy-saving LED driver. This TRIAC dimmable 15W light suits hotels, corridors, homes, malls, exhibition rooms, and more, with an E26 base.

## FEATURES :

- Good heat dissipation
- Excellent thermal management to ensure long lifetime of LED
- Selectable color temperature (2700K, 3000K, 3500K, 4000K, 5000K)
- High color rendering
- Triac dimmable

**80**  
CRI

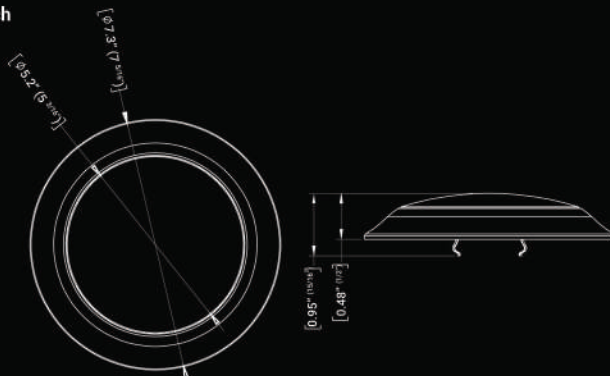
3 year  
warranty

## APPLICATIONS :

- Hotels
- Corridors
- Home decoration
- Shopping malls
- Exhibition rooms

## DIMENSION :

unit: inch



MODEL	COLOR TEMPERATURE	POWER	LUMEN OUTPUT	INPUT VOLTAGE RANGE	AVAILABILITY
DK-SC-15W-5CCT-WHT	2700K	15W	910 LM	120VAC	IN STOCK
	3000K		950 LM		
	3500K		900 LM		
	4000K		910 LM		
	5000K		1000 LM		



LM80



scan to buy



# COMMERCIAL RETROFIT

A simple definition of a retrofit, or a relighting, is the renovation of your old lighting fixture and/or bulbs that improves the lighting



## CONTENT:

## PAGE NO#

▪ High Output Double PCB V Shaped Tube	09
▪ 6CCT Adjustable Integrated Fixture	10
▪ T8 Standard Led Tube Light (Ballast Bypass)	11
▪ T8 Standard LED Tube Light (8FT)	12
▪ LED G24 / PL Lamp	13

High Output Double PCB V Shaped Tube



T8 Smart LED Tube Light





# HIGH OUTPUT DOUBLE PCB V SHAPE TUBE

## DESCRIPTION :

The high lumen output SMD2835 LED is used to provide the brightness levels of 125-130 Lumens per watt. It can be used as a direct replacement for a fixture that does not require ballasts. It has a life expectancy 5 times more than the fluorescent tubes, reducing the cost of repairs, disposal fee and the need for replacements.

## FEATURES :

- Housing is made of high-purity aluminum material and plastic
- Can directly fit into standard fluorescent sockets and high output fluorescent sockets
- Can be powered from RDC end cap or Bi-Pin end cap
- Ballast bypass only



## APPLICATIONS :

- Replacement for conventional panel lights
- Hotels, offices, meeting rooms
- Factories
- Supermarkets, parking lots
- Airports, Railroad stations



## ACCESSORIES



CLIPS INCLUDED

MODEL	COLOR TEMPERATURE	POWER	LUMEN OUTPUT	EFFICACY	REPLACES	INPUT VOLTAGE RANGE	AVAILABILITY
T8-V-4FT-30W-6000K-CLR	6000K	30W	3,750 LM	125 LM/W	60W Fluorescent Tube	120-277VAC	IN STOCK
T8-V-5FT-36W-6000K-CLR		36W	4,500 LM		72W Fluorescent Tube		
T8-V-6FT-40W-6000K-CLR		40W	5,000 LM		80W Fluorescent Tube		
T8-V-8FT-60W-6000K-CLR		60W	7,500 LM		120W Fluorescent Tube		



scan to buy

# 6CCT ADJUSTABLE INTEGRATED FIXTURE

## DESCRIPTION :

6CCT Adjustable Integrated Tube Fixture is a high-efficiency, long-lasting replacement for T8, T12, and T5 fluorescent fixtures. Its modular design allows it to be installed end to end with another fixture, or for wire to be extended from it for easy installation. This dimmable fixture offers adjustable brightness for versatile lighting.

## FEATURES :

- Low heat emission for enhanced safety and energy savings.
- Offers six adjustable color temperatures (6CCT tunable).
- Wattage adjustable for 3 ft tubes: 6W, 8W, 10W, 12W, or 14W.
- Wattage adjustable for 4 ft tubes: 10W, 12W, 14W, 16W, or 18W.
- One tube provides 30 different lighting options.

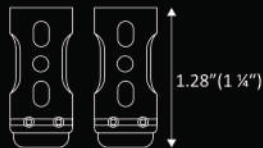
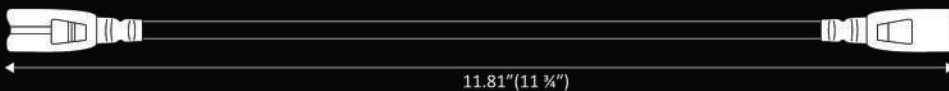
## APPLICATIONS :

- Commercial lighting
- Industrial lighting
- Office spaces
- Retail environments
- Educational institutions
- Healthcare facilities

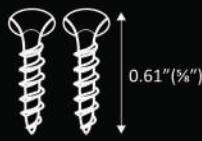


## ACCESSORIES DIMENSION :

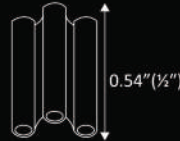
1. LME Fixture to Fixture Extender



2. Mounting Clips



3. Hardware



4. LME Fixture to Fixture Coupler



5. Termination Cap



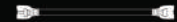
6. LME 5FT - 6FT Foot Extender



7. LME 3 Foot Plug



8. LME 2 Foot Extender



9. LME 1 Foot Extender

MODEL	COLOR TEMPERATURE	POWER	LUMENS	LENGTH	INPUT VOLTAGE RANGE	AVAILABILITY
LME-NUR-TP-T5-1FT-5W-CCT-FRS	6CCT (3000K, 3500K, 4000K, 5000K, 5700K, 6500K)	5W	600 LM	1FT.	AC 100-277V	IN STOCK
LME-NUR-TP-T5-1FT-5W-CCT-CLR		9W	1100 LM	2FT.		
LME-NUR-TP-T5-2FT-9W-CCT-CLR		6W/8W/ 10W/12W/14W	1700 LM	3FT.		
LME-NUR-TP-T5-2FT-9W-CCT-FRS		10W/12W/14W /16W/18W	2200 LM	4FT.		
LME-NUR-TP-T5-3FT-12W-CCT-CLR						
LME-NUR-TP-T5-3FT-12W-CCT-FRS						
LME-NUR-TP-T5-4FT-16W-CCT-FRS						



# T8 STANDARD LED TUBE LIGHT (BALLAST BYPASS)

## DESCRIPTION :

Tube lighting is the most popular lighting source for general lighting in commercial applications. Whether it is fluorescent T8, T10 or T12 tube, our LED tube can be used to replace it. These tube do not require ballasts and are ideal for low cost upgrade. When bypassing ballast, our smart tube can be wired for double ended power.

## FEATURES :

- High luminous efficiency
- Aluminum heat sink allows for better heat dissipation
- Longer life and low maintenance costs
- 2FT tube lights have bi pin and RDC end cap options

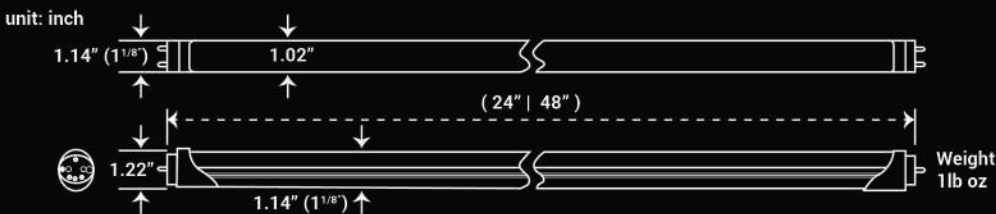


## APPLICATIONS :

Can be used for all general lighting applications in:

- Factories
- Warehouses
- Retail stores
- Hotels
- Office buildings

## DIMENSION :



MODEL	COLOR TEMPERATURE	POWER	LUMENS	LENGTH	INPUT VOLTAGE RANGE	AVAILABILITY
T8-4FT-6CCT-CLR	(6 CCT tunable) 3000K 3500K 4000K 5000K 6000K 6500K	22W	2640LM	4FT.	AC100-277	IN STOCK
T8-4FT-6CCT-FRS		20W	2400LM			
		18W	2160LM			
		15W	1800LM			
		12W	1440LM			
		10W	1200LM			
T8-2FT-6CCT-CLR		6W	720LM	2FT.		
T8-2FT-6CCT-FRS		8W	950LM			
		10W	1200LM			
		12W	1440LM			
		15W	1800LM			



scan to buy



# T8 STANDARD LED TUBE LIGHT (8FT)

## DESCRIPTION :

The T8 Adjustable LED Tube Light is an energy-efficient replacement for T8 or T12 fluorescent lamps. It offers 6 adjustable color temperatures and power levels, providing uniform illumination and a long, maintenance-free lifespan. Suitable for residential and commercial use, it ensures energy savings and environmental safety.

## FEATURES :

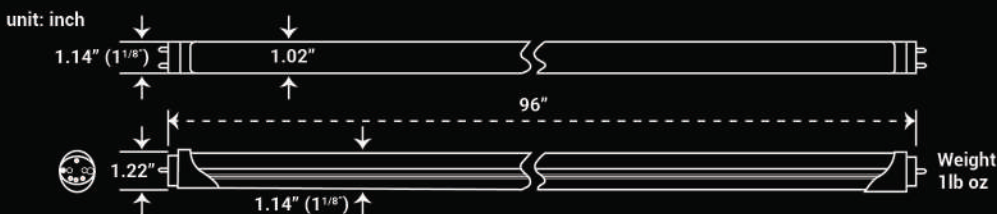
- High luminous efficiency
- Aluminum heat sink allows for better heat dissipation
- Longer life and low maintenance costs
- 6 CCT options – 6500K, 6000K, 5000K, 4000K, 3500K, and 3000K
- Engineered for quick and easy setup



## APPLICATIONS :

- Kitchens
- Garages
- Office Buildings
- Supermarkets

## DIMENSION :



## OPTIONS



MODEL	COLOR TEMPERATURE	POWER	LUMENS	LENGTH	INPUT VOLTAGE RANGE	AVAILABILITY
T8-8FT-6CCT-CLR	3000K/3500K/4000K /5000K/6000K/ 6500K (6 CCT tunable)	36W/39W/ 42W/45W/ 48W	6200 LM	8FT.	100-277VAC	IN STOCK
T8-8FT-6CCT-FRS						



scan to buy

# LED G24/PL Lamp

## DESCRIPTION :

LED G24 Retrofit Lamps are both electrical ballast and 120-277V line voltage compatible. G24 LED lamps have G24 base and can be used with adaptors for different applications. PL lamps have an E26 base. These lamps are good for replacement for CFL bulbs and can be used for general lighting, wall sconces and recessed cans.

## FEATURES :

- Made of die casting aluminum heat sink
- Operating temperature is -4°F to 105°F
- Available in horizontal and vertical orientations
- G24 Horizontal lamp is rotatable for 180°



## APPLICATIONS :

- Recessed cans
- Wall sconces
- General lighting

## ACCESSORIES:



G24 ADAPTOR-L



E-26 MALE TO G24 FEMALE CONVERTER



G24 ADAPTOR-S



G24-25W LED LAMP



E26-30W PL LAMP



PL-12W VERTICAL ORIENTED LAMP



PL-12W HORIZONTAL ORIENTED LAMP

MODEL	COLOR TEMPERATURE	POWER	LUMEN OUTPUT	EFFICACY	BASE	INPUT VOLTAGE RANGE	AVAILABILITY
G24-12W-3000K-H	3000K	12W	900 LM	75 LM/W	G24	120-277VAC	IN STOCK
G24-12W-3000K-V							
G24-12W-4000K-H	4000K		1,100 LM	92 LM/W			
G24-12W-4000K-V							
G24-25W-3000K-V	3000K	25W	2,500 LM	100 LM/W			
G24-25W-4000K-V	4000K						
G24-25W-5000K-V	5000K						
PL-E26-30W-4000K-V	4000K	30W	3,000 LM	100 LM/W			
PL-E26-30W-5000K-V	5000K						



scan to buy



# COMMERCIAL INTERIOR

Commercial lighting is used to describe lighting that is employed in commercial environments in order to illuminate the space. Commercial LED lighting has a wide range of indoor/outdoor applications due to its energy-saving capabilities and the potential to significantly reduce utility cost.



## CONTENT:

## PAGE NO#

▪ LED Linear Strip	15
▪ Architectural Linear Strip Light	16
▪ LED Backlit Panel Light	17
▪ Commercial Downlight	18
▪ Commercial Downlight 6"	19
▪ Recessed Slim Linear Fixture	20
▪ Surface Slim Linear Fixture	21
▪ Up/Down Linear LED Light	22
▪ Vertical LED Linear Light	23
▪ Track Lighting	24
▪ Electrical Junction Boxes	25
▪ Integrated Junction Box Downlight	26-27
▪ Flat T-Grid Linear	28-29
▪ Zeta Slim Linear Pendant Lighting	30-31



Surface Slim Linear



Track Lighting



Vertical Linear LED Light



# LED LINEAR STRIP

## DESCRIPTION :

The high output strip light might be the most versatile light on the market. It can be used any place a fluorescent fixture can with easy linkable capability. Very popular among residential/commercial garages, commercial retail space and offices.

## FEATURES :

- Die formed painted steel
- Operating temperature: -4°F~+104°F (-20°C~40°C)
- Optics: Frosted diffuse PC lens
- IP Rating: Damp location IP44
- Sensor: Motion sensor (optional) and Emergency backup battery (optional)
- Dimmable: No
- Mounting: Surface mount and suspended mount
- Application: Indoor

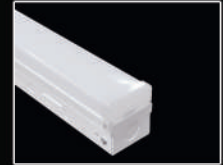


## APPLICATIONS :

- Ideal for new construction and renovations.
- Offices
- Schools
- Hospitals
- Corridors Lights

## DIMENSION :

unit: inch



## ACCESSORIES



SENSOR-SCREW ON  
(SPECIAL ORDER)



EMERGENCY BATTERY BACKUP  
NUR-WP-BATTERY



MOUNTING PLATE



SUSPENSION KIT

MODEL	COLOR TEMPERATURE	POWER	SIZE	LUMEN OUTPUT	LUMEN PER WATT	INPUT VOLTAGE RANGE	AVAILABILITY
NUR-ST-4FT-40W-CCT	CCT ADJUSTABLE (3000K, 4000K, 5000K)	40W	4FT.	4600 LM	115 LM/W	120-277VAC	IN STOCK
NUR-ST-4FT-40W-CW	COOL WHITE						



scan to buy

# ARCHITECTURAL LINEAR STRIP LIGHT

## DESCRIPTION :

Architectural Linear Strip offers a sleek design to elevate your space with customizable lighting, boasting a slim, clean appearance. ALS series can run seamlessly and easily at any length in a straight line or any modeling design by DIY connectors. 5CCT selectable color temperatures. Available in 2ft,3ft,4ft and 8ft length and two variants white/black.

## FEATURES :

- Easy and quick installation reduces labor cost and optimizes ROI.
- 1200W Max linkable wattage
- CCT Selectable (include the 5CCT options)
- Adjustable Light Distribution
  - i) UP: 0% & DOWN: 100%
  - ii) UP: 70% & DOWN: 30%
  - iii) UP: 50% & DOWN: 50%
  - iv) UP: 30% & DOWN: 70%
  - v) UP: 100% & DOWN: 0%
- Mounting Options: Suspension/Recessed/Surface/Wall Mount



## APPLICATIONS :

- Offices
- Conference rooms
- Hallways

## ACCESSORIES (OPTIONAL):



- 90° Connector
- 120° Connector
- T Connector
- X Connector
- Wall Mount Bracket
- SKU: SUN-CONN-ST-5CCT-90
- SKU: SUN-CONN-ST-5CCT-120
- SKU: SUN-CONN-ST-5CCT-T
- SKU: SUN-CONN-ST-5CCT-X
- SKU: SUN-MNT-WALL-BRCKT

STRIP LIGHT	LENGTH	WATTS	COLOR TEMPERATURE	FINISH	AVAILABILITY
NUR-ST	2ft    2 feet 3ft    3 feet 4ft    4 feet 8ft    8 feet	30W 35W 50W 100W	5CCT (Selectable)	WHT    White BLK    Black	IN STOCK



scan to buy

# LED BACKLIT PANEL LIGHT

## DESCRIPTION :

The Back Lit LED Panel is designed to be used for general lighting from a drop ceiling (acoustic tile ceiling grid). It is an energy-efficient and reliable lighting solution that transmits even light without flicker through an acrylic lens with no dark spots.

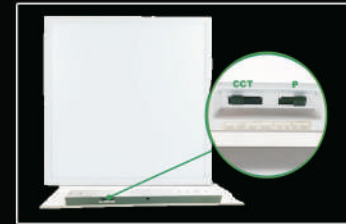
## FEATURES :

- Adjustable CCT (35K/40K/50K)
- Adjustable Power 2x2 (25W/30W/35W) 2x4 (30W/40W/50W)
- LGP-free design prevents yellowing
- Lumen output: 125 lumens per watt
- Compatible with AC120-277V and 0-10V dimming
- Operating temperature is 14°F to 104°F (-10°C to 40°C)
- Dimmable via 0-10V dimmer







## APPLICATIONS :

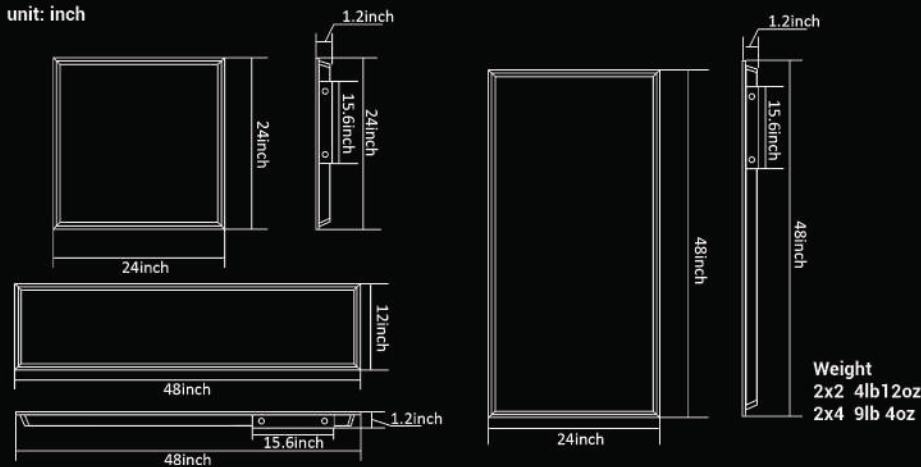
- Offices
- Hotels
- Shopping malls
- Hospitals



## ACCESSORIES

-  SURFACE MOUNT FRAME
-  SUSPENSION KIT
-  RECESSED MOUNT FRAME KIT
-  EMERGENCY BATTERY BACKUP  
NUR-WP-BATTERY

unit: inch



MODEL	POWER	DIMMABLE	EFFICACY	COLOR TEMPERATURE	SIZE
SLS-SJ-2X2-CCT	25-30-35	0-10V Dimming	130 LM/W	3000K	24*24
SLS-SJ-1X4-CCT		Power & Color Temperature		4000K	12*48
SLS-SJ-2X4-CCT	30-40-50	Tunable		5000K	24*48



scan to buy



# COMMERCIAL DOWNLIGHT

## DESCRIPTION :

It can retrofit for most manufacturers incandescent, CFL or H.I.D. fixtures with apertures of 6.1" min. to 6.7" max diameter. Easy conversion method and recessed installation can be performed from below the ceiling without removing existing fixture.

## FEATURES :

- CCT Adjustable option available.
- Input voltage: 100-277V AC
- 1-10 dimmable
- Recessed mounted



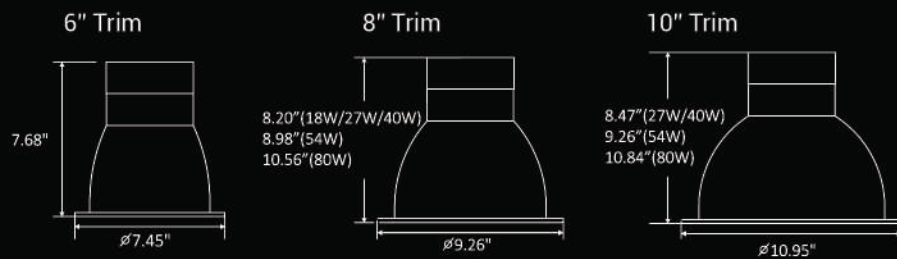
## APPLICATIONS :

The retrofit downlight for installation in all compatible recessed housings found in:

- Hotels
- Offices
- Majors retail stores
- Education facilities
- Government bulidings
- Hospitals

## DIMENSION :

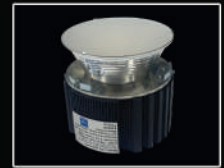
unit: inch



Light Engine with Trim



Light Engine



## ACCESSORIES



TRIM  
NUR-CE-TRIM

CONSTRUCTIONAL FRAME  
NUR-CE-FRAME

MODEL	COLOR TEMPERATURE	POWER	LUMEN OUTPUT	TRIM OPTIONS	INPUT VOLTAGE RANGE	AVAILABILITY
NUR-CES-XXW40-CCT	CCT ADJUSTABLE 3000K, 3500K, 4000K	40W	1,710 LM, 2,565 LM, 3,800 LM	6", 8", 10"	120-277VAC	SPECIAL ORDER



scan to buy

# COMMERCIAL DOWNLIGHT 6"

## DESCRIPTION :

This commercial grade recessed downlight is 15 products in 1. Now available in 3 wattages and 5 CCT tunable. 120-277V@60HZ input voltage, 0-10V dimming.

Wet-location and IC rated. Ideal use is for general lighting.

## FEATURES :

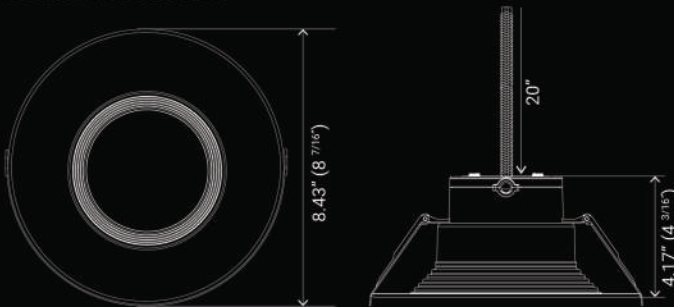
- High luminous efficacy, up to 135LM/W
- High quality Aluminium shell with frosted PC diffuser
- Supports 0-10V dimming from 100% to 10%
- 80% more energy savings than halogen lamps.



## APPLICATIONS :

- Commercial Properties
- Hospitality
- Healthcare Industry
- Schools
- Campuses
- Shopping Centers
- Industrial Areas
- Hotels

## DIMENSIONS:



MODEL	COLOR TEMPERATURE	WATTAGE	LUMEN	BEAM ANGLE	LIFESPAN	INPUT VOLTAGE RANGE	AVAILABILITY
DWN-CDL-6-5CCT	2700K 3000K 3500K 4000K 5000K	Selectable 12W/17/22W	1296LM/ 1694LM/ 2194LM	100°	50,000+ Hours	120V-277V	IN STOCK



scan to buy

# RECESSED SLIM LINEAR FIXTURE

## DESCRIPTION :

Recessed Slim Linear Fixture is available in 4ft and 8ft lengths. Each fixture comes standard with 3 selectable color temperatures (3000K/ 3500K/ 4000K) providing flexibility to adapt to changing needs. This design pleases designers, contractors and wholesalers alike.

## FEATURES :

- Ultra thin profile with external driver
- Provides powerful lines in any applications
- Easy and quick recessed installation
- Works with most ceiling types
- Emergency or sensor function options



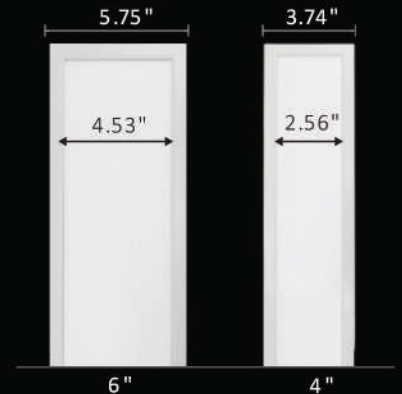
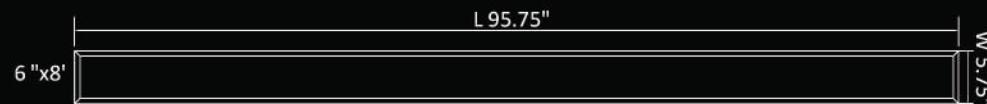
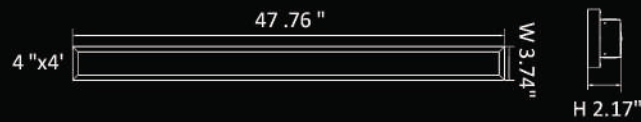
## APPLICATIONS :

Ideal for new construction and renovations. Perfect for

- Offices
- Schools
- Hospitals
- Corridors Lights

## DIMENSION :

unit: inch



MODEL	COLOR TEMPERATURE	POWER	SIZE	LUMEN OUTPUT	LUMEN PER WATT	INPUT VOLTAGE RANGE	AVAILABILITY
NUR-LR44-CCT-DIM	CCT ADJUSTABLE	40W	4' length, 4" width	3400LM, 3800LM, 3600LM	900 LM/FT	120-277VAC	SPECIAL ORDER
NUR-LR86-CCT-DIM	(3000K, 3500K, 4000K)	80W	8' length, 6" width	7600LM, 8400LM, 8000LM	1000 LM/FT		



scan to buy



# SURFACE SLIM LINEAR LED

## DESCRIPTION :

This LS (Linear Surface) series is a high-performance luminaire, featuring top-end performance paired with a modern aesthetic. The true ingenuity comes from its unique construction, its architectural linear LED lighting is integrated with surface and recessed mounting along with a built-in driver.

## FEATURES :

- Ultra thin profile, only 0.94" thickness
- Tested Dimmers: Lutron ® Diva-Dvtv, Leviton ® IP-710-D
- Recessed mounted
- Integrate with surface mounted and recessed with built-in driver
- LED Lifetime: >50,000H L70 minimum



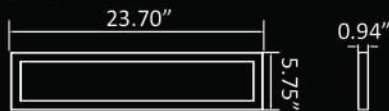
## APPLICATIONS :

- Offices
- Schools
- Light Industrial Spaces

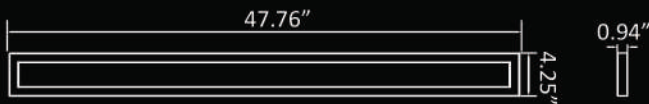
## DIMENSION:

unit:inch

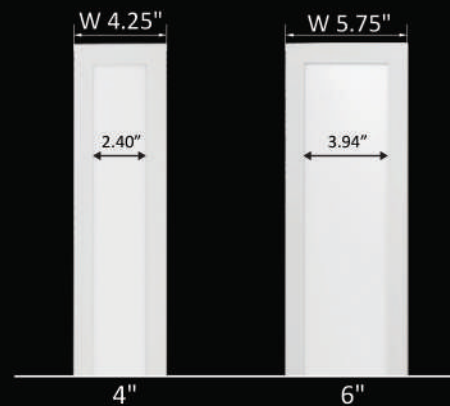
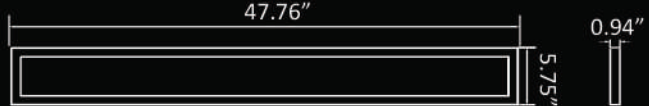
6" x 2'



4" x 4'



6" x 4'



MODEL	COLOR TEMPERATURE	WATTAGE SELECTABLE	SIZE	LUMEN OUTPUT	INPUT VOLTAGE RANGE	AVAILABILITY
NUR-LS26-CCT-DIM	CCT ADJUSTABLE	40W/30W/20W	2' length, 6" width	1,600 LM, 1,800LM, 1,700LM	100-347VAC	SPECIAL ORDER
NUR-LS44-CCT-DIM	3000K, 3500K, 4000K	40W/30W/20W	4' length, 4" width	3,000LM, 3,400LM, 3,200LM	100-347VAC	SPECIAL ORDER



scan to buy

# UP/DOWN LINEAR LED LIGHT

## DESCRIPTION :

Up/Down linear LED light is a commercial pendant lighting fixture utilizing an advanced LED optical system to achieve superior performance. The unique design is nearly transparent luminaire when off and excellent uniformity and efficiency when on, reaching 55% downlighting and 45% uplighting distribution, making the illusion of the light floating in mid-air, included UL Recognized constant current driver which support 0-10V dimming, suitable for indoor lighting. It has color temperature changing optional

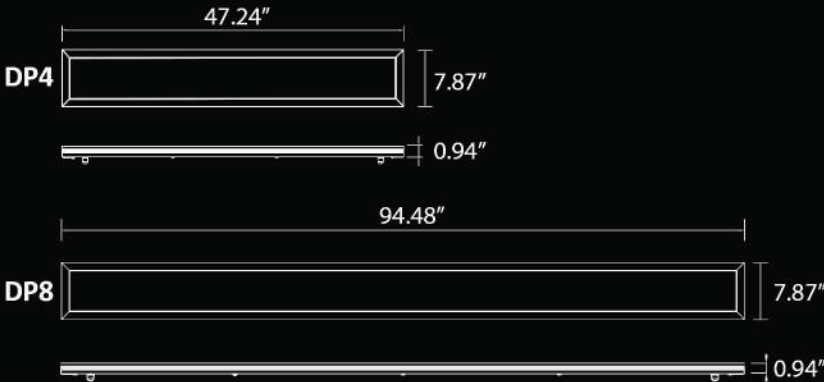
## FEATURES :

- Tested Dimmers: Lutron ® Diva-Dvtv, Leviton ® IP-710-D
- CCT adjustable option by dip switch
- Unified Glare Rating (UGR) <17
- Internal & replaceable driver
- 110-347V AC Input option available
- Seamless continuous runs, up to 36' in 120V and 80' in 277V per power feed (4FT)
- Seamless continuous runs, up to 32' in 120V and 80' in 277V per power feed (8FT)
- LED Lifetime:>50,000H L70 minimum



## DIMENSION :

unit:inch



## ACCESSORIES



DRY CEILING  
2" & 4" ROUND CANOPY



DRY CEILING  
2" & 4" SQUARE CANOPY



DROP CEILING  
T-GRID HANGER  
2" & 4" ROUND CANOPY



DROP CEILING  
T-GRID HANGER  
2" & 4" SQUARE CANOPY



SUSPENSION KIT



SHEET ROCK

MODEL	COLOR TEMPERATURE	POWER	SIZE	LUMEN OUTPUT	LUMEN PER WATT	INPUT VOLTAGE RANGE	AVAILABILITY
NUR-DP4-DIM-CCT	CCT Tunable (3000K 3500K, 4000K)	40W	4' length, 8" width	4200 LM	115 LM/FT, 1150LM/FT	110-347VAC	SPECIAL ORDER



CCT Adjustable



scan to buy

# VERTICAL LINEAR LED LIGHT

## DESCRIPTION :

The LV series suspended linear LED light fixture combines brilliant design and intuitive engineering to deliver unprecedented performance. It is a distinct statement in any workspace.

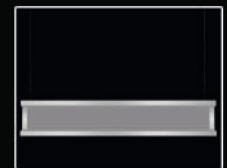
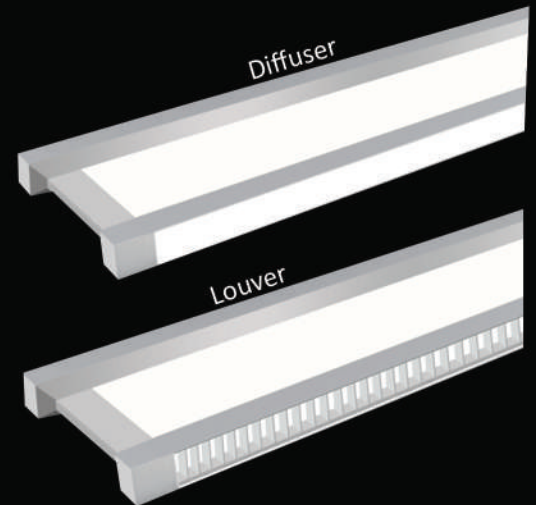
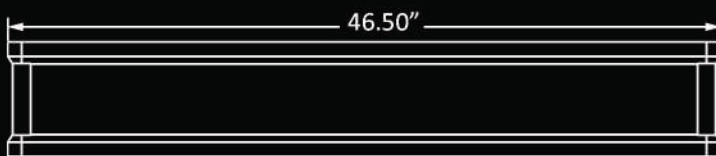
## FEATURES :

- Finish: Silver
- Transparent vertical optics, enveloped in a signature sloping silhouette
- T-grid Or Dry ceiling compatible
- CCT adjustable: 3000K,3500K,4000K by dip switch
- Suspended mounting
- Seamless continuous runs, up to 40' per power feed
- Internal driver



## DIMENSION :

unit:inch



## ACCESSORIES



DRY CEILING  
2" & 4" ROUND CANOPY



DRY CEILING  
2" & 4" SQUARE CANOPY



DROP CEILING  
T-GRID HANGER  
2" & 4" ROUND CANOPY



DROP CEILING  
T-GRID HANGER  
2" & 4" SQUARE CANOPY

MODEL	COLOR TEMPERATURE	POWER	LUMEN OUTPUT	SIZE	EFFICACY	OPTICS	INPUT VOLTAGE RANGE	AVAILABILITY
NUR-LV4-40W-CCT-DIM	CCT ADJUSTABLE 3000K,3500,4000K	40W	4,000 LM	4FT	100 LM/W, 1000 LM/FT	DIFFUSER	120-277VAC	SPECIAL ORDER
			3,600 LM		90 LM/W, 900 LM/FT	LOUVER		



scan to buy



# TRACK HEAD-UNIVERSAL HOLDER

## DESCRIPTION :

Track lighting is a method of lighting where light fixtures are attached anywhere on a continuous track device which contains electrical conductors. This is in contrast to directly routing electrical wiring to individual light positions. Track lighting is usually combined with directional lamps with reflectors, such as spotlights.

## FEATURES :

- There are also adapters that allow for various track layout configurations; corners ("L") and branches ("T") are the most common.
- Wattage: 150
- Finish: White and Black
- Voltage: 120V AC
- Medium base
- It can be used with all Medium Based Lamps

PAR-16

PAR-20

PAR-30

PAR-38



BR-20

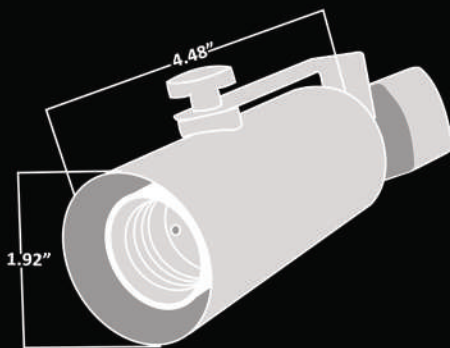
BR-30

BR-40



## DIMENSION :

unit:inch



## ACCESSORIES



CONDUIT CONNECTOR



L CONNECTOR FOR TRACK



STRAIGHT I CONNECTOR



T JOINER/CONNECTOR



TRACKS  
AVAILABLE LENGTH: 4FT, 6FT, 8FT

MODEL	POWER	FINISH	FIXTURE TYPE	INPUT VOLTAGE RANGE	AVAILABILITY
NUVO-TH227-UNI HOLDER-BK	150W	BLACK	INDOOR	120VAC	IN STOCK
NUVO-TH226-UNI HOLDER-WH		WHITE			



scan to buy

# ELECTRICAL JUNCTION BOXES

## DESCRIPTION :

Our Blue Electrical Box is a non-metallic PVC switch and outlet box. All four models adhere to the specifications outlined in Article 314 of the NEC. They are fire resistant for 2 hours and hold a UL Listing to ensure safety.

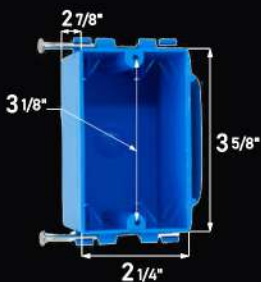
## FEATURES :

- Designed to fit standard receptacle outlets and switches.
- Made with non-conductive and rust-resistant PVC thermoplastic.
- Integrated cable clamps.
- Captive nails are included and complies with latest NEC (National Electrical Code) standards
- Complies with US Standard.
- Flame Retardant (2-hour rating).
- Crush Resistant.

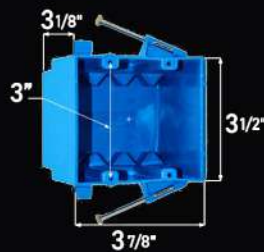
## APPLICATIONS :

- Old Work/New Work (Remodel & New Construction)
- Electrical Receptacle
- Indoor & Outdoor
- HVAC Installations
- Data Networks
- Renovation Projects
- Electrical Panels

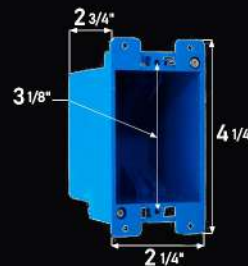
## DIMENSIONS :



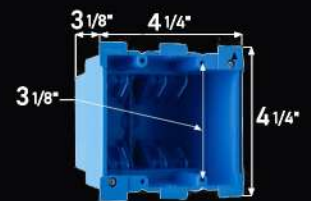
- New Construction 1 Gang
- 18 cu. in. ( cubic inches )
- SKU: NUR-JB-N-1GANG



- New Construction 2 Gang
- 32 cu. in. ( cubic inches )
- SKU: NUR-JB-N-2GANG



- Remodel Gang 1
- 14 cu. in. ( cubic inches )
- SKU: NUR-JB-R-1GANG



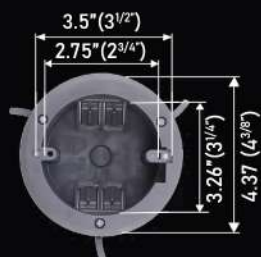
- Remodel Gang 2
- 25 cu. in. (cubic inches)
- SKU: NUR-JB-R-2GANG



18 CU. IN.



25 CU. IN.



- 1 Gang Round Ceiling Electrical Box
- 4 in. ( inches )
- SKU: NUR-JB-RND-RMODEL



scan to buy



scan to buy

# INTEGRATED JUNCTION BOX DOWNLIGHT

## DESCRIPTION :

The innovative separable design of junction box and housing makes it more flexible. The split commercial downlight can fulfill a wide range of lighting needs. Easy-fit installation comes from adjustable spring-action housing clips. It is designed and engineered for new construction applications, which is suitable for commercial and public places and elegantly decorates the ambience, such as shopping mall, hospital, airport, hotel lobby, etc.

## FEATURES :

- Material: Aluminum haze trim with white trim ring
- Mounting: Recessed
- Simple Installation with spring-action housing clips
- Integrated J-Box for direct wire eliminated recessed can
- Perfect and economic solution for new construction applications



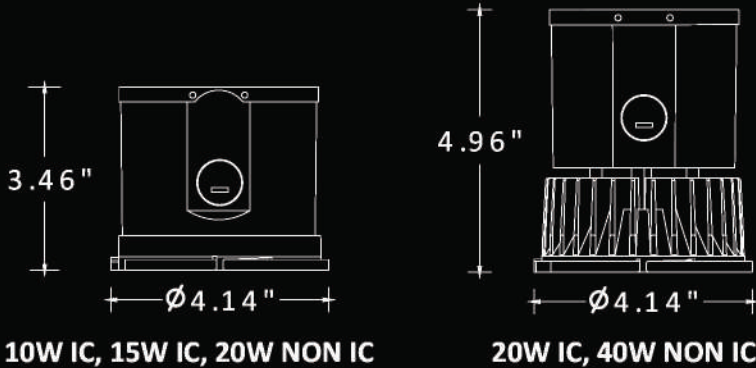
## APPLICATIONS :

Suitable for commercial and public places and elegantly decorates the ambience, such as:

- Shopping malls
- Hospitals
- Airports
- Hotel lobbies

## DIMENSION :

unit: inches



CCT Tunable  
3000K, 4000K, 5000K  
10W, 15W, 20W



CCT Tunable  
3000K, 3500K, 4000K



Wattage Tunable  
27W/34W/40W

## ACCESSORIES

### ROUND TRIM

- NUR-CP-TRIM-R
- NUR-CP4-TRIM-R
- NUR-CP6-TRIM-R
- NUR-CP8-TRIM-R
- NUR-CP10-TRIM-R



### ROUND WASH WALL TRIM

- NUR-CP-TRIM-RWW
- NUR-CP4-TRIM-RWW
- NUR-CP6-TRIM-RWW



### SQUARE TRIM

- NUR-CP-TRIM-S



### SQUARE WALL WASH TRIM

- NUR-CP-TRIM-SWW



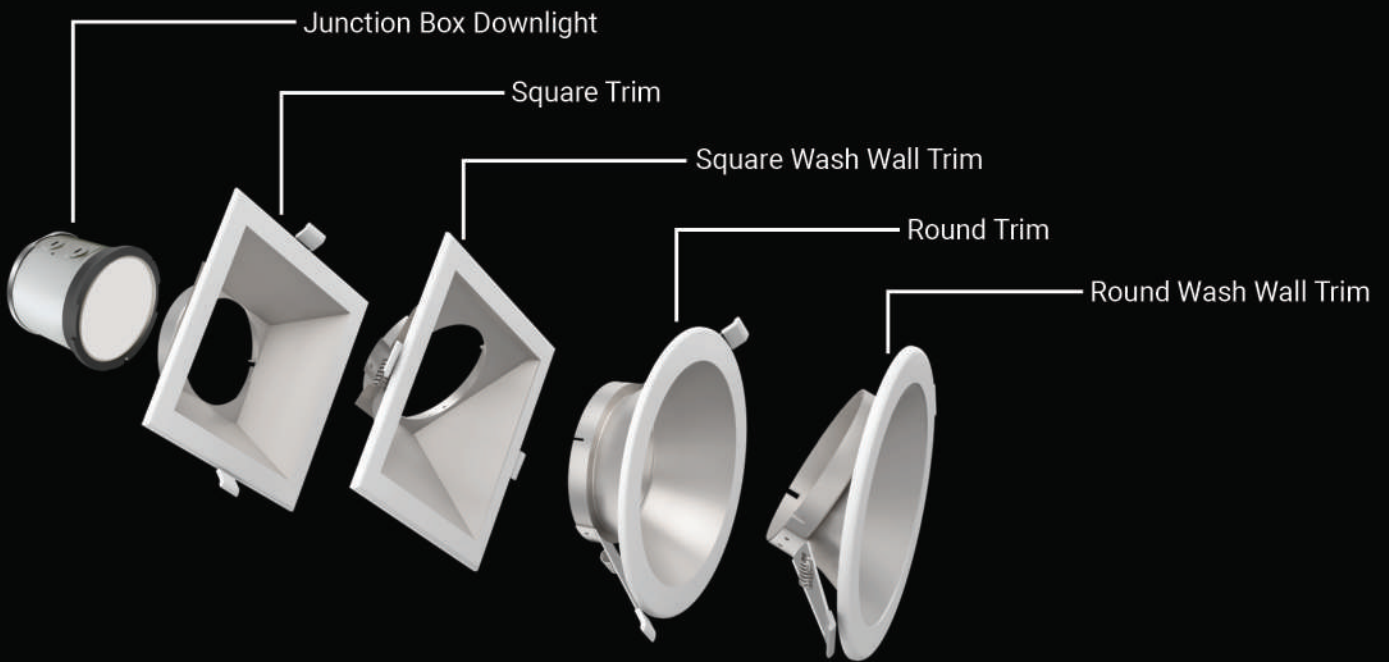
### Constructional Frame Kit

- NUR-CP-FRAME



scan to buy





MODEL	COLOR TEMPERATURE	POWER	LUMEN OUTPUT	TRIMS OPTIONS	INPUT VOLTAGE RANGE	AVAILABILITY
DWN-CPS-D10W-CCT	CCT ADJUSTABLE 3000K, 4000K, 5000K	10W	700 LM	Round Wall Wash Reflector 4IN. , 6IN.	120-347VAC	SPECIAL ORDER
DWN-CPS-D15W-CCT		15W	1,200 LM	Square Wall Wash Reflector 4IN. , 6IN.		
DWN-CPS-D20W-CCT		20W	1,500 LM	Round Reflector 4IN. , 6IN. , 8IN. , 10IN.		
DWN-CPS-XXW-CCT	CCT ADJUSTABLE 3000K, 3500K, 4000K	XXW	2,700 LM 3230 LM, 3600 LM	Square Reflector 4IN. , 6IN.		



scan to buy

# FLAT T-GRID LINEAR

## DESCRIPTION :

Featuring new generation green led lighting solutions, T-Grid linear LED light fixtures with milky diffusing have an added unique combination of direct and indirect illumination, enlarging the lumen spread over the entire space with beam angle of 120°. These linear LED luminaries deliver up to 130 LM/W. They are available in 2ft and 4ft sizes which can fit in standard T-Grid suspended ceilings systems

## FEATURES :

- Flexible separable design of LED module and T-Grid bracket
- Seamless continuous runs
- Remote driver with RJ45 terminal
- Fit most ceiling type, like Prelude XL
- Tested Dimmers: Lutron® Diva-Dvtv, Leviton® IP-710-D
- 1 driver can be used for 3 lights
- Plenum rated cable option available
- Custom patern available
- 24V DC option available
- Emergency option available
- CCEA option available



## APPLICATIONS :

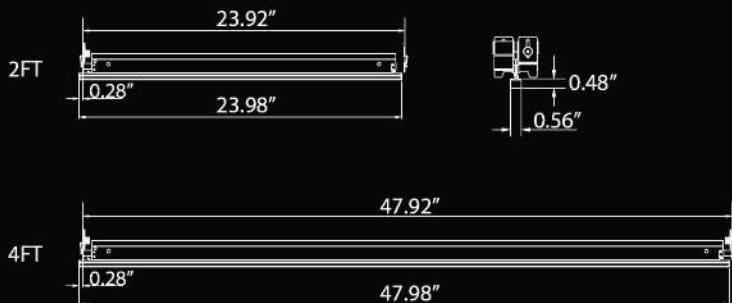
Flat T-Grid linear LED fixture is used for commercial and institutional environments which requires unique and elegant architectural lighting design, including :

- Office Buildings
- Educational Institutions
- Retail Stores
- Hotels
- Airports
- Hospitals

## DIMENSION :

unit: inch

### 9/16" FLAT



## ACCESSORIES



DRIVER  
POWER SUPPLY

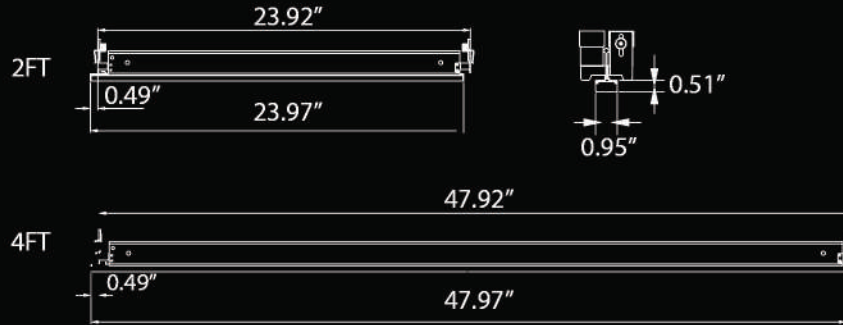


scan to buy

**DIMENSION :**

unit:inch

**15/16" FLAT**



**EMERGENCY DRIVER:**

Only external 8W or 25W LED emergency drivers with standard indicators are available and require field installation.



**WIRING DIAGRAM:**



MODEL	COLOR TEMPERATURE	POWER	SIZE	LUMEN OUTPUT	TYPE	INPUT VOLTAGE RANGE	AVAILABILITY
NUR-TB2-DM-35F	3500K	10W	2FT.	1,150 LM	9/16"	120-277V AC	SPECIAL ORDER
NUR-TB4-DM-35F		20W	4FT.	2,400 LM			
NUR-TB2-DM-40F	4000K	10W	2FT.	1,150 LM			
NUR-TB4-DM-40F		20W	4FT.	2,400 LM			
NUR-TB2-DM-35U	3500K	10W	2FT.	1,300 LM	5/16"	120-277V AC	SPECIAL ORDER
NUR-TB4-DM-35U		20W	4FT.	2,600 LM			
NUR-TB2-DM-40U	4000K	10W	2FT.	1,300 LM			
NUR-TB4-DM-40U		20W	4FT.	2,600 LM			



scan to buy



# ZETA SLIM LINEAR PENDANT LIGHTING

## DESCRIPTION :

This slim long suspended pendant fixture is perfect for contemporary and modern commercial workplaces. It can provide smooth continuous runs or be designed into patterns. Usefull for uplight, downlight, direct or indirect lighting distribution. It can also be surface mounted. It is only 1.3 inches wide and comes in 2ft, 4ft and 8ft lengths.

## FEATURES :

- Dry and T-Grid ceiling compatable
- Tested Dimmers: Lutron® Diva-Dvtv, Leviton® IP-710-D
- Driver: Internal
- Efficacy (base on up and down light distribution with 3500K): 105LM/W, 1050LM/FT for diffuser and 120LM/W, 1200LM/FT for Micro Reflector
- Selection of Professional Lenses available
- External driver with 110-347V option available
- Optional Functions: Emergency, Sensor



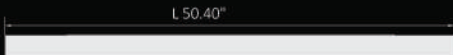
## DIMENSION :

unit: inch

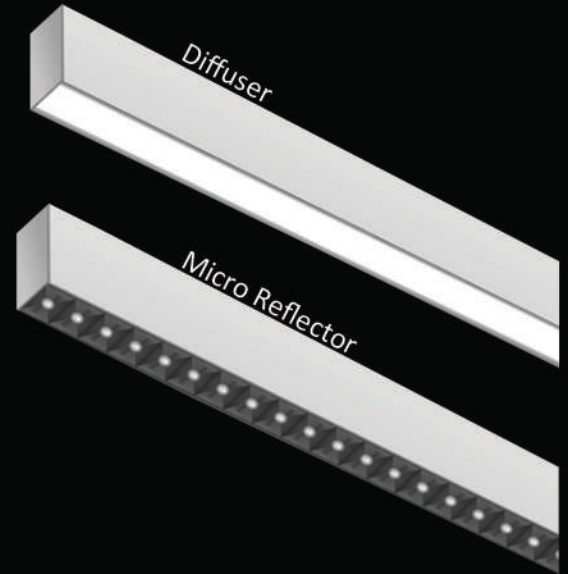
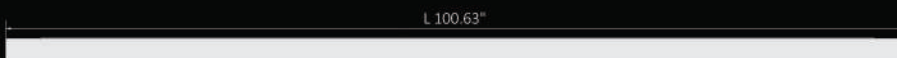
Zeta 2 FT



Zeta 4 FT



Zeta 8 FT



## ACCESSORIES



DRY CEILING  
2" & 4" ROUND CANOPY



DRY CEILING  
2" & 4" SQUARE CANOPY



DROP CEILING  
T-GRID HANGER  
2" & 4" ROUND CANOPY



DROP CEILING  
T-GRID HANGER  
2" & 4" SQUARE CANOPY



scan to buy

**MOUNTING OPTIONS:**

- Pendant
- Surface Mounted
- Wall Mounted

**JOINERS:**

" I " JOINER (I)  
NUR-ZE-CONN-I



" + " JOINER (CROSS)  
NU-ZE-CONN-CROSS



" T " JOINER (CROSS)  
NUR-ZE-CONN-T



" L " JOINER (CROSS)  
NUR-ZE-CONN-L

MODEL	COLOR TEMPERATURE	POWER	SIZE	LUMEN OUTPUT	INPUT VOLTAGE RANGE	AVAILABILITY
NUR-ZE-21-I-CCT-AR	CCT	20W	2' length, 1" width	750 ~ 1500 LM	100-277VAC	IN STOCK
NUR-ZE-21-I-CCT-DD				800 ~ 1600 LM		
NUR-ZE-21-I-CCT-AD				900 ~ 1700 LM		
NUR-ZE-41-I-CCT-AR	CCT	40W	4' length, 1" width	1500 ~ 3000 LM	100-277VAC	IN STOCK
NUR-ZE-41-I-CCT-DD				1600 ~ 3200 LM		
NUR-ZE-41-I-CCT-AD				1700 ~ 3400 LM		
NUR-ZE-81-I-CCT-DD	CCT	80W	8' length, 1" width	3200 ~ 6400 LM	100-277VAC	IN STOCK
NUR-ZE-81-I-CCT-AD				3400 ~ 6800 LM		



# HIGHBAY

LED high bay lights are specialized industrial shop lights designed to illuminate large areas with high ceilings. The lights create powerful illumination at a long range and are made to enhance visibility and focus light more directly than traditional incandescent fixtures.



## CONTENT:

## PAGE NO#

▪ LED Linear Highbay	33
▪ LED UFO Highbay Watt. and CCT Adjustable	34
▪ T3 Highbay	35

LED Linear Highbay



LED UFO Highbay





# LED LINEAR HIGH BAY

## DESCRIPTION :

The Linear High Bay series combines energy efficiency, uniform lighting, and durability while reducing costs. Its compact design ensures easy installation, with selectable CCT and wattage for added flexibility. Suitable for retrofits and new installations.

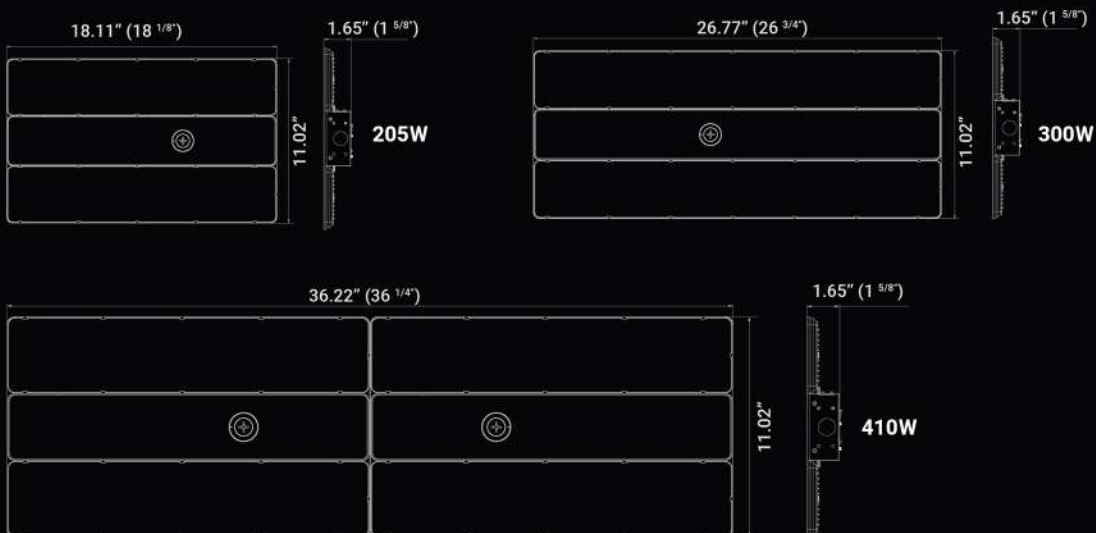
## FEATURES :

- Color-selectable light engines with two CCT options: 4000K and 5000K
- Long LED lifespan based on IES LM-80 results and TM-21 calculations
- Supports universal input voltage: 120-277VAC or 347-480VAC
- Wattage Adjustable: 100%, 80%, 60%, 40%
- 0-10V dimming capability, ranging from 100% to 10%
- Power Factor (PF) > 90%
- Wide operating temperature range: -40°F to +122°F

## APPLICATIONS :

- Commercial applications
- Retail spaces
- Gymnasiums
- Factories
- Warehouses

## DIMENSIONS :



MODEL	COLOR TEMPERATURE	POWER	LUMEN	DIMMING RANGE	HOUSING	INPUT VOLTAGE RANGE	AVAILABILITY
NUR-LHB-205W-CCT	4000K 5000K	82W- 205W	14000-30500 LM	100% to 10%	Die-cast Aluminum	122-277V	IN STOCK
NUR-LHB-300W-CCT		120W-300W	20000-42000 LM				
NUR-LHB-410W-CCT		164W-410W	28000-60600 LM				



scan to buy

# LED UFO HIGH BAY WATT. & CCT ADJUSTABLE

## DESCRIPTION :

The LED High Bay is an economical lighting option. With a CRI of over 80, it provides comfortable and visually appealing lighting.

## FEATURES :

- Sealed die-casting profile for indoor and outdoor applications.
- For use with 0-10V dimming, allowing for a dimming range of 100% to 0%.
- An energy-efficient replacement for 250W and 400W metal halide lamps.
- The product is CCT adjustable, allowing for customization of the color temperature.
- It is wattage selectable, providing flexibility in choosing the appropriate power output.

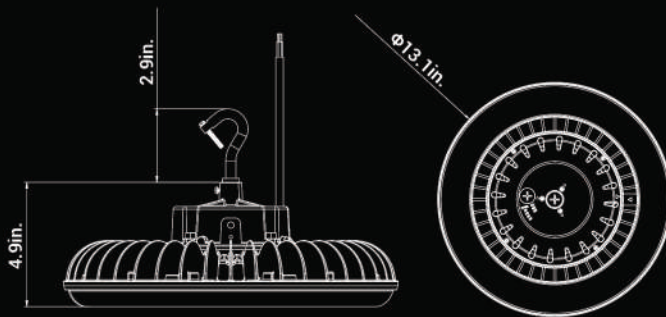


## APPLICATIONS :

- Warehouses
- Industrial
- Retail
- Office
- Gymnasiums

## DIMENSION :

unit: inch



MODEL	COLOR TEMPERATURE	POWER	LUMEN OUTPUT	EFFICACY	REPLACES	VOLTAGE	AVAILABILITY
NUR-HBY-CCT-215W	4000K , 5000K	215W	30500LM , 30300LM	142LM/W , 141LM/W	250W , 400W	120-277V AC	IN STOCK



scan to buy

# T3 HIGHBAY

## DESCRIPTION :

The T3 High Bay Light features a CCT adjustable and IP65 waterproof design. The 140 lm/w high bay light is designed up to a 105-degree angle to ensure the largest coverage. Its lightweight and classic circular design makes this product unique. This SMD2835 LED high bay light is available with multiple plug-and-play sensors. It is suitable for damp environments,



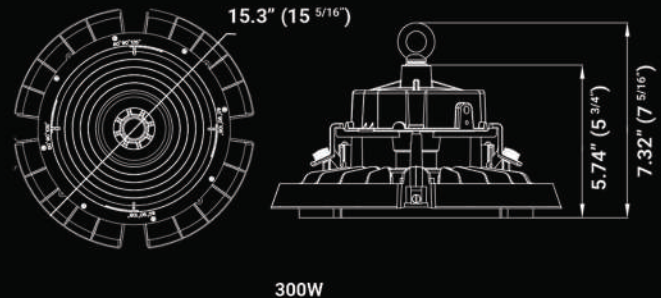
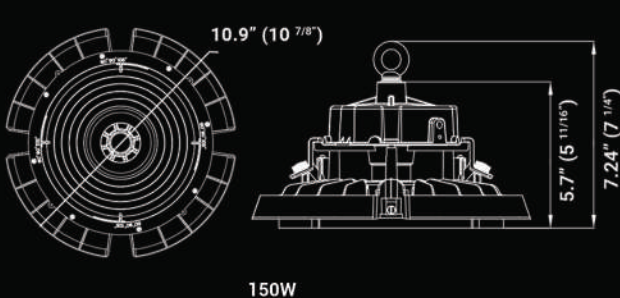
## FEATURES :

- Snap-in driver design offering following benefits
- For easy replacement and maintenance
- Reduced stock costs through interchangeable voltage drivers
- Terminal connections for quick driver replacement
- Adjustable lens with 60°-90°-105° beam angle and IP65 rating
- High-efficacy LEDs with 140lm/w, 160lm/w, 180lm/w, or 200lm/w options
- Operating temperature range of -30°C to +50°C



## APPLICATIONS :

- Gymnasiums
- Factories
- Warehouses



## ACCESSORIES



MODEL	COLOR TEMPERATURE	POWER	LUMEN OUTPUT	BEAN ANGLE	INPUT VOLTAGE RANGE	AVAILABILITY
HBY-T3-150W-CCT	CCT 3000K 4000K 5000K	150W	19200~21300 LM	105~90~60	120~277VAC	IN STOCK JUNE 25
HBY-T3-300W-CCT		300W	38400~42600 LM			



scan to buy



# COVERED PARKING

Parking lot lighting is a term to describe the outdoor lighting that is commonly mounted on poles and located in parking lots, pathways and driveways. This type of exterior lighting is generally used to provide illumination to areas for vehicle and pedestrian use, with the most frequent attribute being that the light fixtures are mounted to poles.



**CONTENT:**

**PAGE NO#**

- Round Canopy Light
- LED Canopy Light - 3CCT

37  
38

Round Canopy



Square Canopy



# ROUND CANOPY LIGHT

## DESCRIPTION :

Our new energy efficient Round Canopy Light is a maintenance-free luminaire and is a great choice for indoor and outdoor applications. A motion sensor can be used for greater energy savings.

## FEATURES :

- Adjustable CCT (40K/50K)
- Adjustable Power (60W/46W/34W/22W)
- Sealed die-casting pole for indoor and outdoor applications.
- Operating temperature is -40°F to 113°F (-40°C to 45°C).

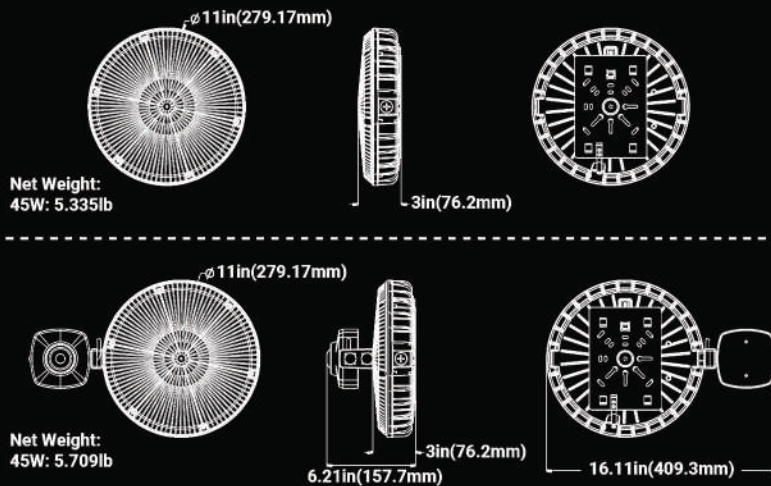


## APPLICATIONS :

- Parking structures
- Storage areas
- Shopping area walkways
- Entryways
- Low level security

## DIMENSION :

unit: inch



## ACCESSORIES



EMERGENCY BOX  
NUR-OD-BATTERY



SENSOR-SCREW ON  
NUR-PIR SENSOR



UNIVERSAL MOUNTING  
PLATE

MODEL	COLOR TEMPERATURE	POWER	LUMEN OUTPUT	EFFICACY	REPLACES	INPUT VOLTAGE RANGE	AVAILABILITY
NUR-CNYPY-R-CCT-DIM-WHT	CCT (4000K/ 5000K)	60W	7700LM/7500LM	128LM/W, 125LM/W	175W MH	120-277VAC	IN STOCK
		46W	6500LM/6300LM	141LM/W, 137LM/W			
		34W	5000LM/4900LM	147LM/W, 134LM/W			
		22W	3600LM/3500LM	164LM/W, 159LM/W			



- \* 347-480Vac is available only by Special
- \* Dark Bronze finish is available in Stock



scan to buy



# LED CANOPY LIGHT – 3 CCT

## DESCRIPTION :

A sleek, energy-efficient LED fixture ideal for commercial, retail, and educational spaces. Features a slim design with superior heat dissipation for extended lifespan. Precision optics reduce glare and enhance lighting comfort. Includes an external quick-mount plate for standard J-BOX or 3/4" pendant mounting, with 1/2" knock-out holes for easy conduit wiring. Offers customizable settings: 4 lumen outputs (100%, 80%, 60%, 40%) and 3 CCT options (3000K, 4000K, 5000K).

## FEATURES :

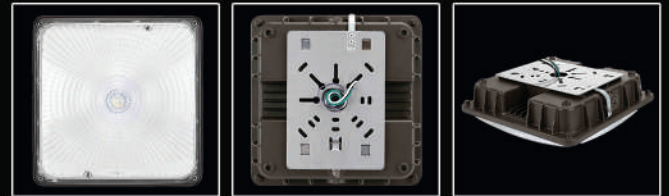
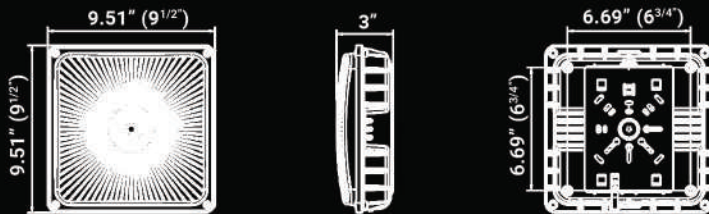
- One-piece die-cast aluminum housing secures the thermally conductive LED panel and electrical chamber.
- Casting thermally conducts LED heat to optimize performance and long life.
- Light engines are available in color tunable version, the CCT can be changed to 3000K/4000K/5000K.
- Anti-UV prismatic translucent lens is designed to shape the light distribution and uniformity.

## APPLICATIONS :

- Commercial Buildings
- Building Entrances
- Breezeways
- Indoor Parking Lots
- Retail

## DIMENSION :

unit: inch



## ACCESSORIES



PIR SENSOR, 120-277V  
NUR-PIR SENSOR



MICROWAVE SENSOR, 12V  
CONT-KEL-OCS-IFS105



EMERGENCY BATTERY BACKUP  
NUR-OD-BATTERY

MODEL	COLOR TEMPERATURE	POWER	LUMENS (3000K)	LUMENS (4000K)	LUMENS (5000K)	INPUT VOLTAGE RANGE	AVAILABILITY
NUR-CNPY-CCT-60W-DIM	3000K/ 4000K/ 5000K	60W	7800LM	8400LM	8000LM	120-277V AC 120-347V AC	IN STOCK



scan to buy



# WALL MOUNTED

Wall-mounted luminaires are mounted directly to a wall surface. This type includes sconces, diffusers, and vanity lights. Wall-mounted luminaires are commonly used in homes because they are easy to install, are available in a wide variety of styles, and accommodate many lamp types.



## CONTENT:

- Illustration
- LED Slim Full Cutoff Wallpack
- LED 135W Wall Pack
- Dusk To Dawn

## PAGE NO#

40-41  
42  
43  
44

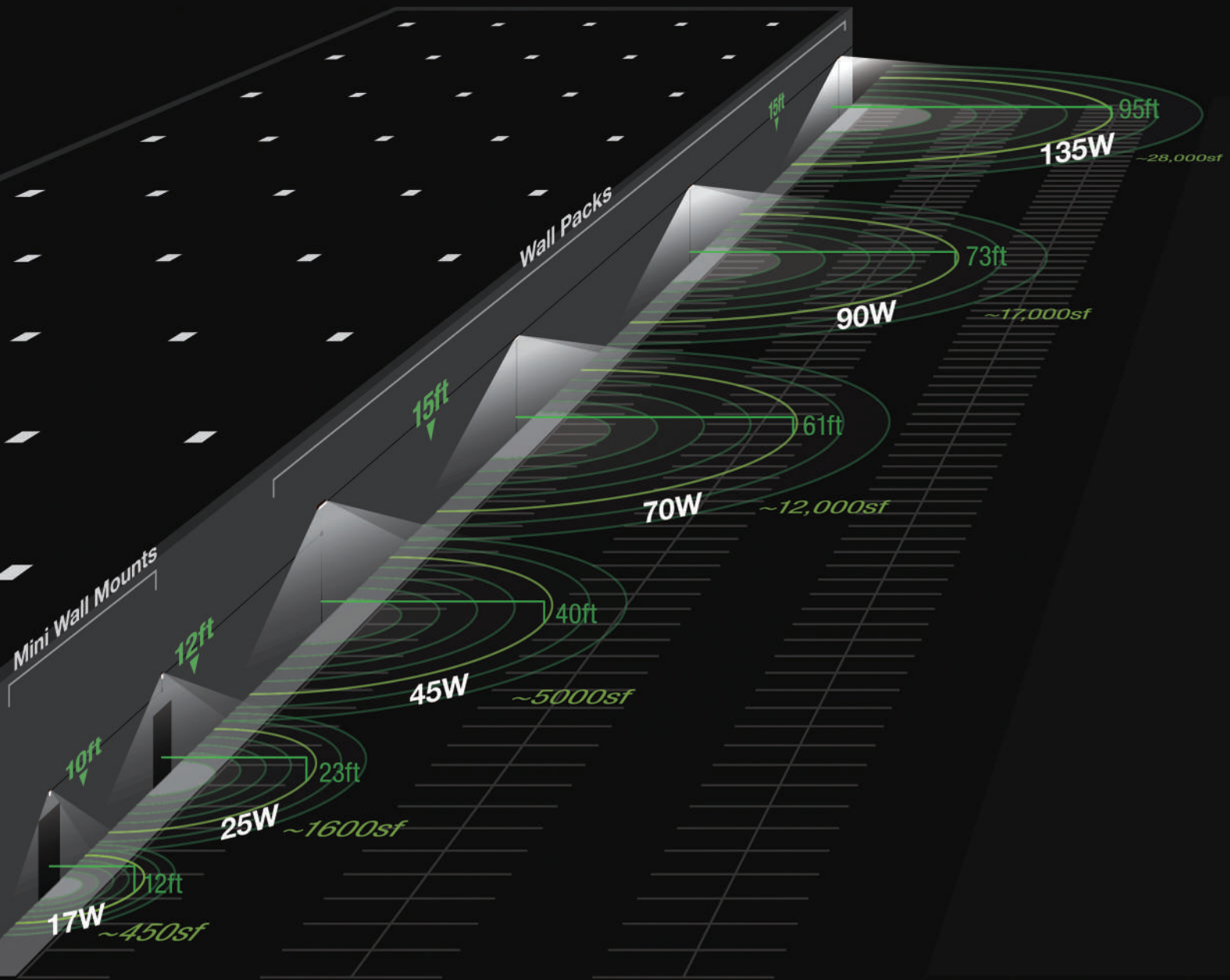
Slim Wall Pack



LED Wall Pack

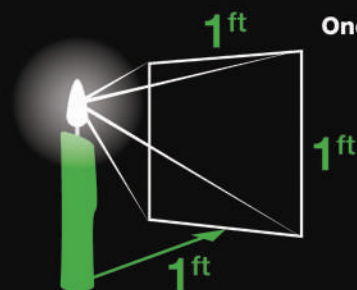


# LIGHT COVERAGE

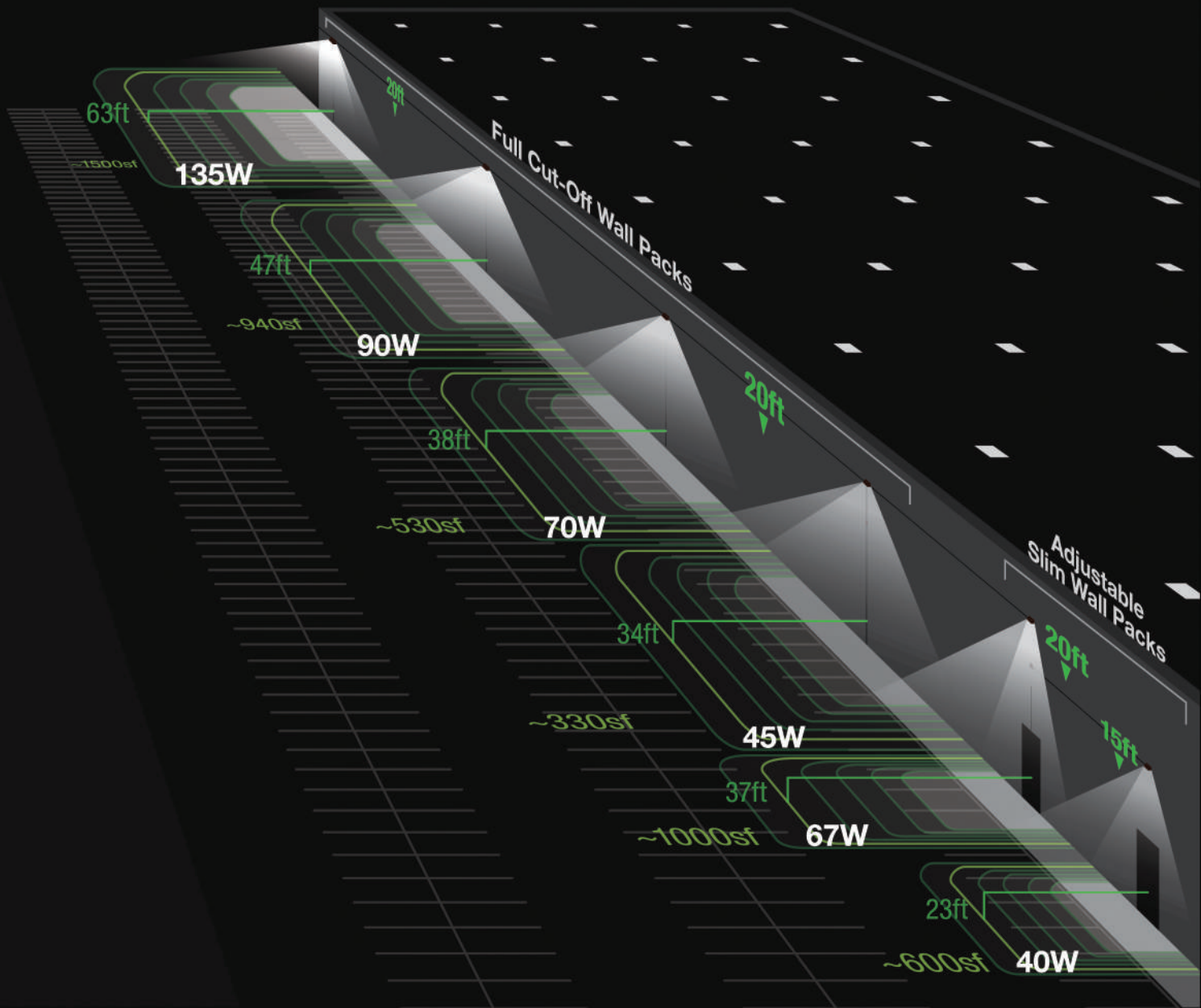


## What is a footcandle?

A footcandle is a measurement of the amount of light hitting a surface.



**One footcandle** is the amount of light **one candle** casts on a **one foot by one foot** square **one foot** away.



### How much light is needed?

The standard for lighting in an open-air parking lot, with average activity, in an urban zone, is a range of maintained illuminance of a minimum of 0.75 footcandles (**0.75 fc**) to a maximum of 3 footcandles (**3 fc**).

This standard is set by the Illuminating Engineering Society (IES), an accredited Standards Development Organization (SDO) under American National Standards Institute (ANSI) approved procedures.



# LED SLIM FULL CUTOFF WALL PACK

## DESCRIPTION :

This Wall Pack LED Light, available in 38W and 100W, offers adjustable CCT (3000K-5000K), 1-10V dimming, and a 50,000-hour lifespan. With an IP65-rated aluminum housing, it's ideal for commercial, residential, and industrial use. Photocell and emergency battery backup are optional.

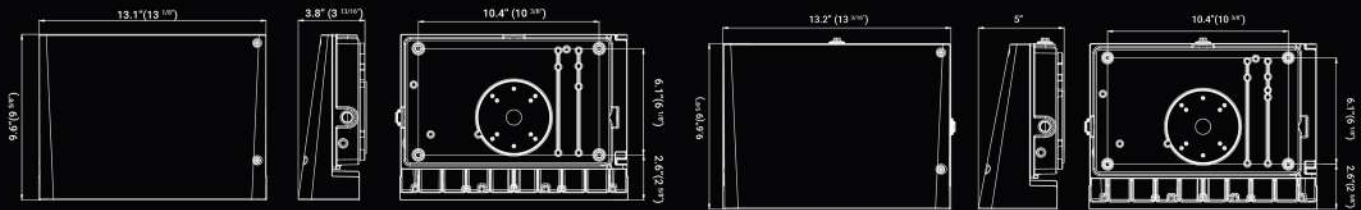
## FEATURES :

- Two-piece die-cast aluminum housing secures the thermally conductive LED panel and electrical chamber.
- Casting thermally conducts LED heat to optimize performance and long life.
- Suitable for applications requiring 3G testing prescribed by ANSI C136.31.
- Scalable Lumen Packages.
- Anti-UV prismatic translucent len is designed to shape the light distribution and uniformity
- Estimated 50,000-hour LED lifespan based on IES LM-80 results and TM-21 calculations
- Operating Temperature Range: -40°F to 104°F

## APPLICATIONS :

- Commercial Buildings
- Industrial Facilities
- Parking Areas
- Educational Institutions

## DIMENSIONS :



38W

100W



## ACCESSORIES :



### Photocell

USE: Photocell is field installed or pre-installed in factory by requesting.  
SKU: CONT-Photocell



### Emergency Battery Backup

Description: It can be pre-installed in factory or field installed.  
SKU: NUR-OD-BATTERY

MODEL	COLOR TEMPERATURE	POWER	LUMEN	DIMMING RANGE	HOUSING	VOLTAGE	AVAILABILITY
NUR-WP15-S-38W-CCT	3000K	38W	5600 - 6000 LM	1-10V	Die-cast Aluminum	120-277VAC	IN STOCK
NUR-WP15-S-100W-CCT	4000K 5000K	100W	14800 - 15500 LM				



scan to buy

# LED 135W WALL PACK

## DESCRIPTION :

Our 135W LED Wall Pack is 3CCT and Power Selectable, offering 12 settings and replacing up to a 400W metal halide. It supports optional features like Dusk-to-Dawn, Occupancy Sensors, and Battery Backup (sold separately).

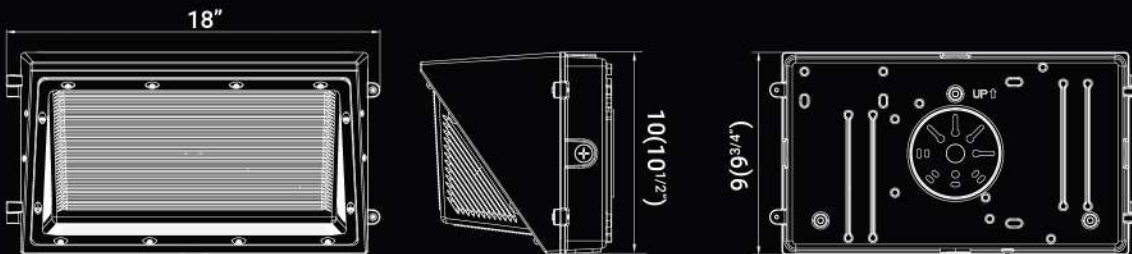
## FEATURES :

- Outdoor rated: Sealed die-cast profile for outdoor durability
- Efficient LED heat management for optimal performance and longevity
- Tempered UV-coated flat lenses for superior performance and glare control
- Standard 0-10V dimming 100% to 10% dimming range
- Drivers with >90% power factor
- Optional Dusk-to-Dawn Photo (sold separately)
- Optional PIR occupancy sensor options (sold separately)
- Optional Battery Backup (sold separately)

## APPLICATIONS :

- Warehouse Exteriors
- Building Facade
- Commercial Building Exteriors

## DIMENSIONS :



## ACCESSORIES :



### Photocell

USE: Photocell is field installed or pre-installed in factory by requesting.  
SKU: CONT-Photocell



### Emergency Battery Backup

Description: It can be pre-installed in factory or field installed.  
SKU: NUR-OD-BATTERY

MODEL	COLOR TEMPERATURE	POWER	LUMEN	DIMMING RANGE	LIFESPAN	VOLTAGE	AVAILABILITY
NUR-WP06-135W-CCT	3000K 4000K 5000K	135W	15500LM 16500LM 16000LM	0-10V	50,000 Hours	120-277VAC	IN STOCK



scan to buy

# DUSK TO DAWN LIGHT

## DESCRIPTION :

LED Dusk to Dawn flood lights emit a wide, even spread of light. They are an ideal, energy efficient solution for security lighting, lighting parameters, backyards and service roads.

## FEATURES :

- Plug in photo sensor
- Built in UL class 2 driver

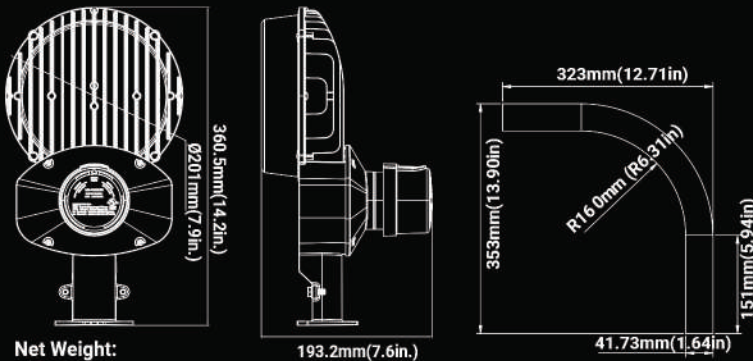


## APPLICATIONS :

- Service roads
- For security and parameter lighting purposes

## DIMENSION :

unit: inch



Net Weight:  
65W: 4.8038lb  
70W: 5.0287lb



## ACCESSORIES



MODEL	COLOR TEMPERATURE	POWER	LUMEN OUTPUT	EFFICACY	FINISH	INPUT VOLTAGE RANGE	AVAILABILITY
NUR-D2D-65W-5000K-SG	65W	5000K	7,400 LM	114 LM/W	DARK BRONZE	120-277VAC	SPECIAL ORDER
NUR-D2D-70W-5000K-SG	70W		10,500 LM	117 LM/W	SILVER/GREY		

\*Silver/Grey finish is available on Special order



scan to buy



# PARKING LOTS/POLES

Architectural lighting works to serve and enhance the architecture. Architectural lighting is an intersection of art (architecture) and technology (lighting). The architecture being illuminated or lighted may be commercial or residential. Other fields of endeavor, such as design, also come into play.



## CONTENT:

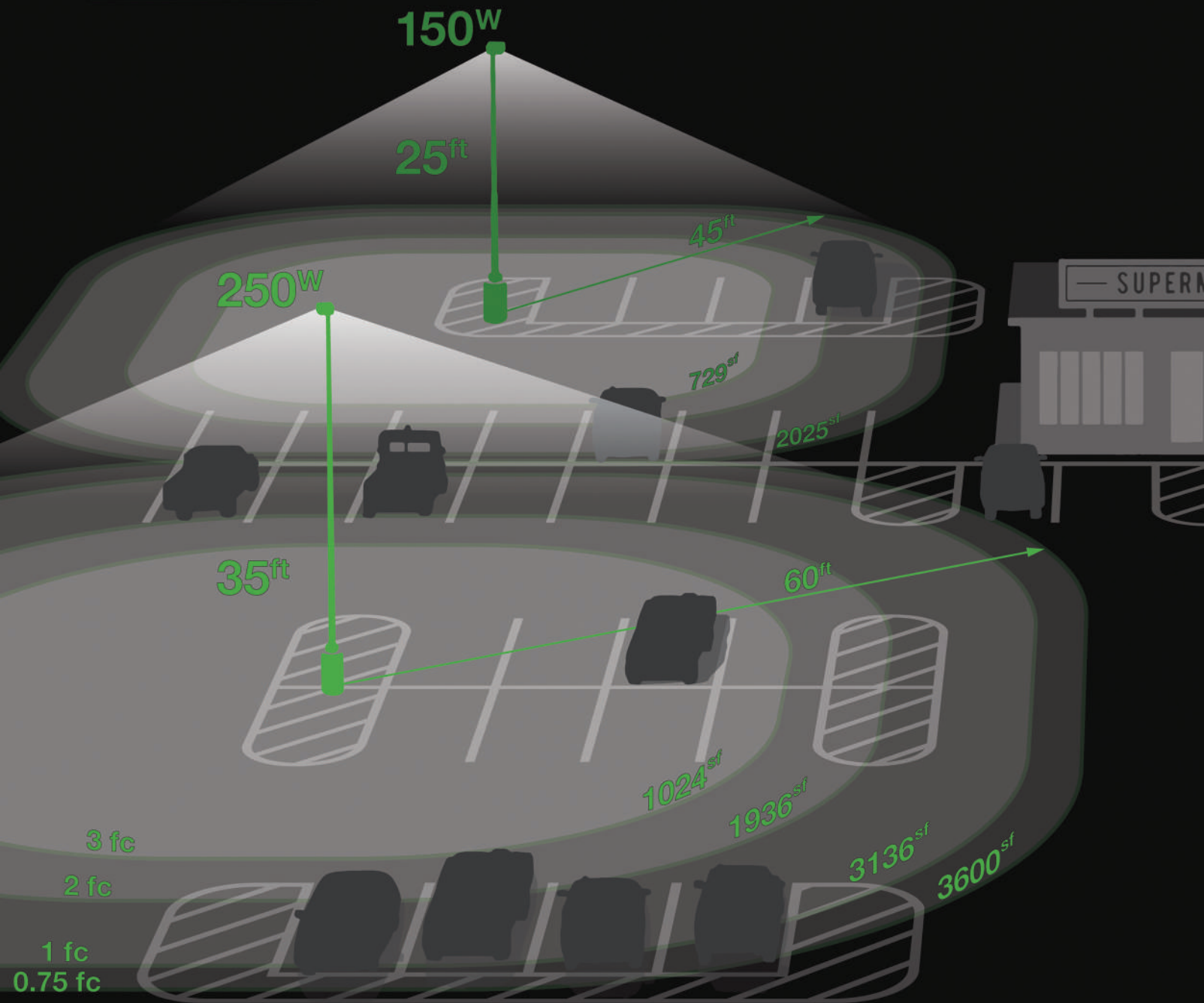
- Light Coverage Illustrations
- Flood Light-FL08
- Flood Light-FL11
- LED Post Top Light
- Lexin
- Poles
- Poles Accessories

## PAGE NO#

- 46-47
- 48-49
- 50
- 51
- 52
- 53
- 54-55



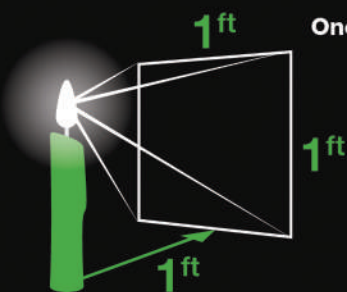
# LIGHT COVERAGE



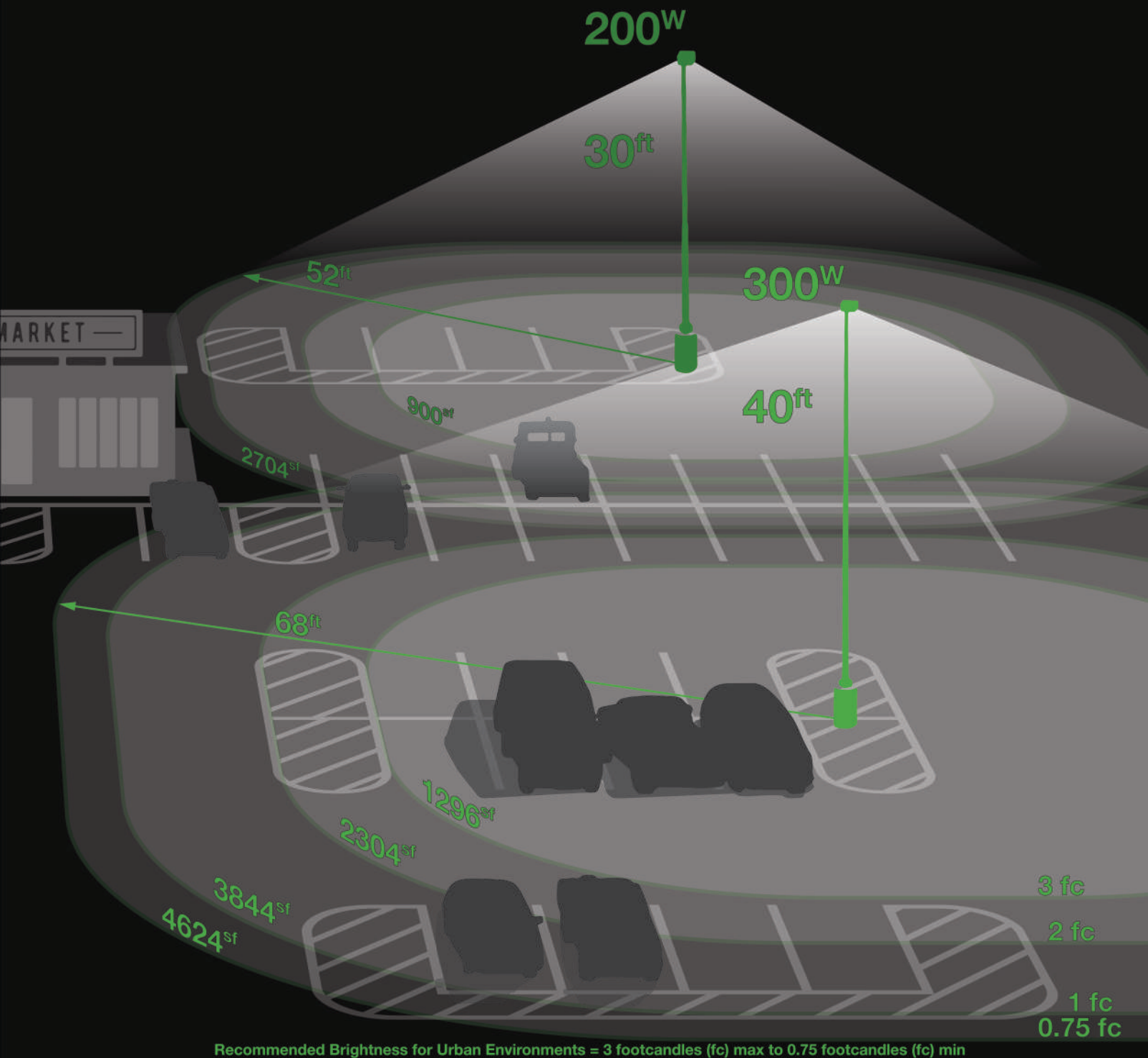
Recommended Brightness for Urban Environments = 3 footcandles (fc) max to 0.75 footcandles (fc) min

## What is a footcandle?

A footcandle is a measurement of the amount of light hitting a surface.



**One footcandle** is the amount of light **one candle** casts on a **one foot by one foot** square **one foot** away.



### How much light is needed?

The standard for lighting in an open-air parking lot, with average activity, in an urban zone, is a range of maintained illuminance of a minimum of 0.75 footcandles (**0.75 fc**) to a maximum of 3 footcandles (**3 fc**).

This standard is set by the Illuminating Engineering Society (IES), an accredited Standards Development Organization (SDO) under American National Standards Institute (ANSI) approved procedures.



# FLOOD LIGHT-FL08

## DESCRIPTION :

Our slim LED Parking Lot Area Light features 3CCT technology with adjustable color temperatures (3000K, 4000K, 5000K) and wattage (40% to 100%). It delivers 15,000 to 35,000 lumens with a lifespan of 100,000 hours, ideal for parking lots, courtyards, driveways, buildings, billboards, and streets.

## FEATURES :

- 3CCT Selectable: 3000K, 4000K, 5000K
- Wattage options: 100W, 250W, 400W
- Lumen Range: 15,000 to 37,000 Lumens
- Power Adjustable: 100%, 80%, 60%, 40%
- Operating Temperature: -40° F to 113° F
- Input Voltage: Universal 120-277 VAC



## APPLICATIONS :

- Parking Lots
- Courtyards
- Driveways
- Buildings
- Billboards
- Street Lights

## DIMENSION :

unit: inch  
100W



## MOUNTING (SOLD SEPARATELY)



ADJUSTABLE POLE  
NUR-MNT08-ADJ-ARM-BNZ



SLIPFITTER MOUNT  
NUR-MNT05-SF-BNZ



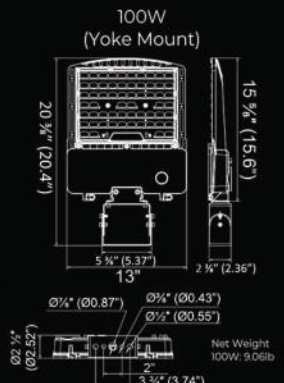
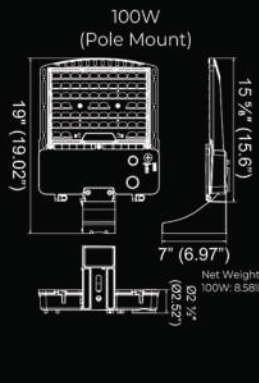
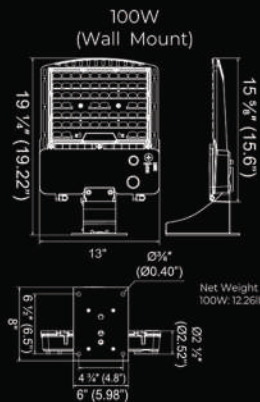
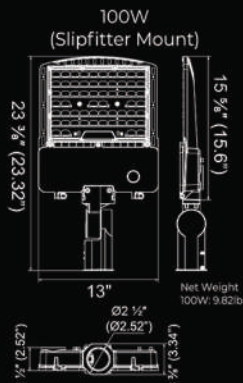
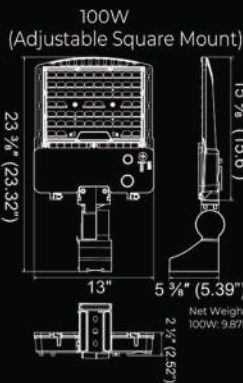
ARM MOUNT  
NUR-MNT05-PM(ARM)-BNZ



WALL MOUNT  
NUR-MNT05-WM-BNZ



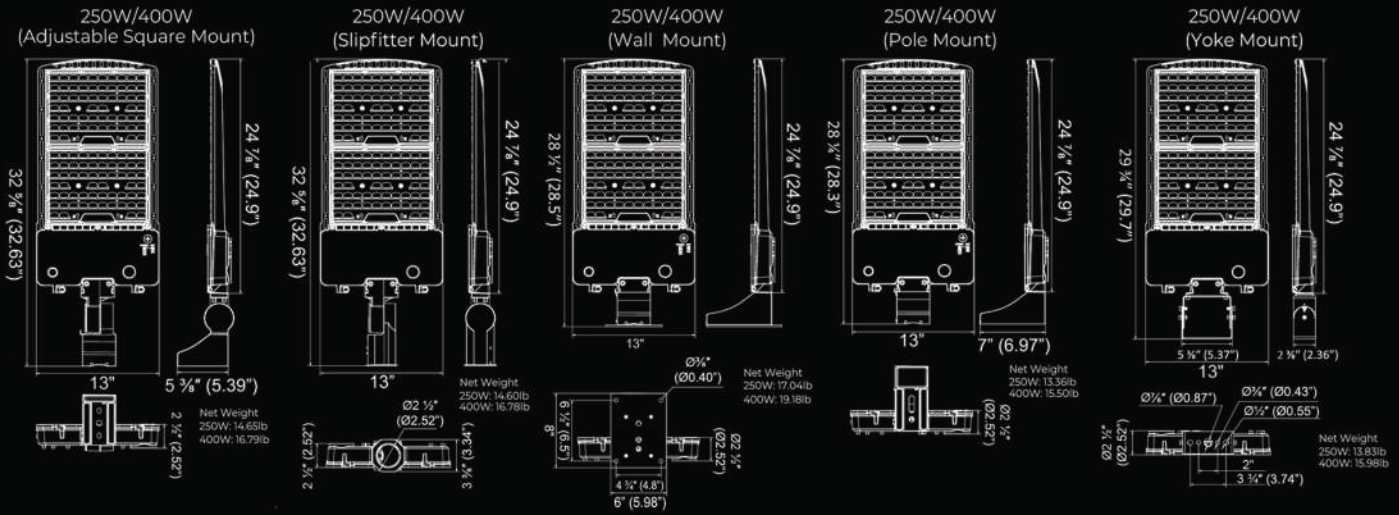
YOKE MOUNT  
NUR-MNT05-YK-BNZ



scan to buy

**DIMENSION :**

unit: inch  
250W/400W



**STRUCTURAL DESIGN:**

**Housing**

The one-piece die-cast housing with corrosion-resistant coating protection and the modular design extend the life of the luminaire while making it easy to maintain.

**Photocell**

Dusk to dawn controls can be utilized via optional NEMA twist-lock photocell.



**CCT & POWER Adjustable**

Offer four selectable lumen output (40%, 60%, 80%, 100%), and three selectable CCTs (30K/40K/50K).



**Mounting**

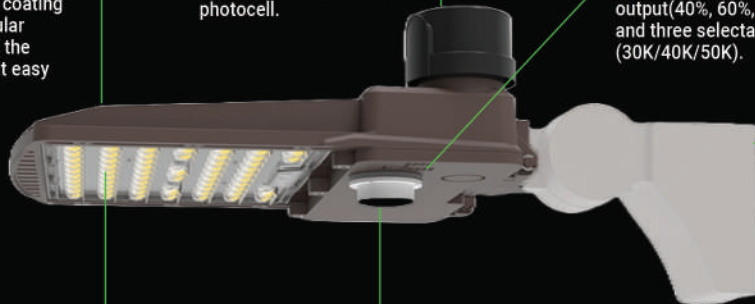
Optional for Adjustable square mount, Slipfitter mount, Wall mount, Yoke mount. All mounting brackets are simple to operate, which can realize single operation and reduce labor costs.

**Photometry**

Optional Type II, Type III, Type IV and Type V Photometry as per applications.

**Occupancy Sensor**

Optional occupancy sensor allows for security and energy saving.



MODEL	COLOR TEMPERATURE	POWER	LUMEN 3000K	LUMEN 4000K	LUMEN 5000K	INPUT VOLTAGE RANGE	AVAILABILITY
NUR-FL08-100W-CCT	3000K	100W	15100LM	16000LM	15600LM	120-277VAC	IN STOCK
NUR-FL08-250W-CCT	4000K	250W	34500LM	38000LM	35500LM		
NUR-FL08-400W-CCT	5000K	400W	61000LM	60800LM	35500LM		



scan to buy



# FLOOD LIGHT-FL11

## DESCRIPTION :

Flood Light-FL11 aims to provide customers with an economical, efficient, flexible, and long-life flood light. The low-profile and stylish exterior design can be well integrated into various architectural environments.

## FEATURES :

- Die-Cast aluminium optimizes the best heat dissipation management as the main part of the fixture, which effectively improves the LED efficiency
- Durable surface coating powder spraying and fully sealed tempered glass can extend the durability of the fixture
- CCT Selectable 3000K, 4000K, and 5000K
- Optics (NEMA Type): 7H\*7V

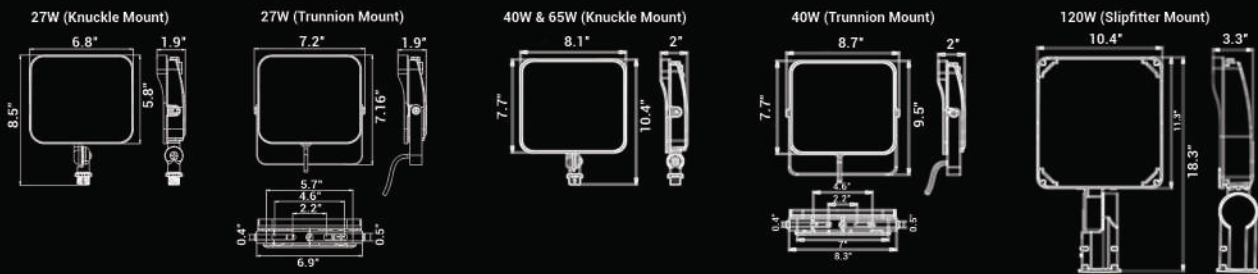


## APPLICATIONS :

- Courtyards
- Driveways
- Buildings
- Billboards

## DIMENSION :

unit: inch



MODEL	COLOR TEMPERATURE	POWER	LUMEN OUTPUT	EFFICACY	INPUT VOLTAGE RANGE	AVAILABILITY
NUR-FL11-27W-CCT-TM	CCT ADJUSTABLE	27W	3500LM, 3800LM, 3600LM	130 lm/W, 141 lm/W, 133 lm/W	120-277VAC	IN STOCK
NUR-FL11-27W-CCT-KM						
NUR-FL11-40W-CCT-TM		40W	5700LM, 6000LM, 5800LM	143 lm/W, 150 lm/W, 145 lm/W		
NUR-FL11-40W-CCT-KM						
NUR-FL11-65W-CCT-KM		65W	9200LM, 9700LM, 9400LM	142 lm/W, 149 lm/W, 145 lm/W		
NUR-FL11-120W-CCT-SF	120W	17500LM, 19000LM, 18000LM	146 lm/W, 158 lm/W, 150 lm/W			



scan to buy



# LED POST TOP LIGHT

## FEATURES :

- Adjustable CCT (30K/40K/50K)
- Scale shape and Solid material.
- Efficacy higher than 120 LM/W with zero uplight.
- Optional for single and double arm mounting.
- Installation of poles which top diameter limited to 2-3/8" or 3".
- Suitable for installation heights of 8-20 feet.
- Projected over 50,000 hrs life span.

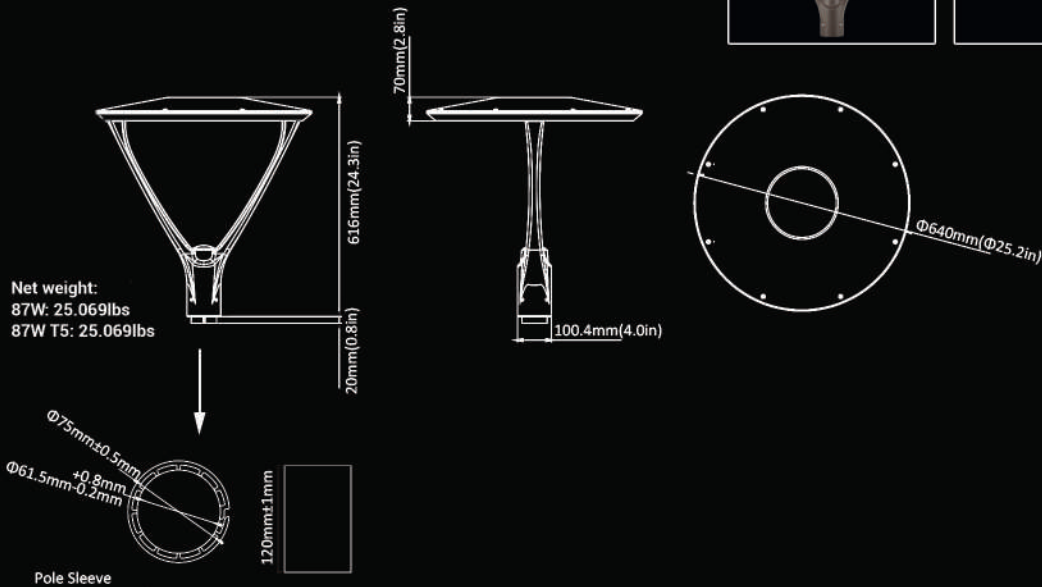


## APPLICATIONS :

- Greenbelts
- Walking Pathways
- Building Perimeters requiring a proper light source.

## DIMENSION :

unit:inch



MODEL	FINISH	POWER	COLOR TEMPERATURE	LUMEN OUTPUT	EFFICACY	INPUT VOLTAGE RANGE	AVAILABILITY
NUR-PL01-87W-CCT-WHT	WHITE	87W	CCT (3000K, 4000K 5000K)	11500LM	122 LM/W	120-277VAC	IN STOCK
NUR-PL01-87W-CCT-BNZ	DARK BRONZE			12500 LM			
				12000LM			



scan to buy

# LEXIN

## DESCRIPTION :

Slim profile, high output lexin is used for applications ranging from ceiling mounted highbay or pole mounted street or parking lot lighting to security lighting for buildings. The fixture is available as special order and you can get your customized lexin by choosing a set of parameters, including lumen output, wattage and beam angle.

## FEATURES :

- Made from rugged die-cast aluminum with weather tight seals
- Shock and vibration safe
- Optical options:
  - Flood - 60°, 180° (No Optics)
  - Dome - 200°

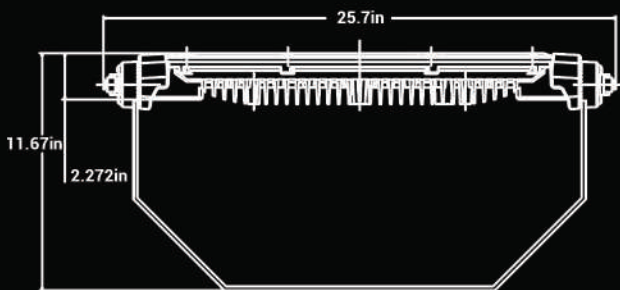


## APPLICATIONS :

- High Bay Lighting
- Light Tower Lighting
- High Mast Lighting

## DIMENSION :

unit:inch



## ACCESSORIES



SHROUD



DOME



DRIVER HOUSING

MODEL	COLOR TEMPERATURE	POWER	LUMEN OUTPUT	EFFICACY	INPUT VOLTAGE RANGE	AVAILABILITY
LEX-450-60D	5000K	320W	45,000	140 LM/W	100-277VAC 300-480VAC	IN STOCK
LEX-500			50,000	157 LM/W		

\* Special order lead time 3-5 business days



scan to buy

# POLES

## DESCRIPTION :

Poles are an integral part of commercial lighting installation. LED City now offers poles made of commercial quality steel and aluminum in lengths ranging from 10ft to 30ft. The poles include shaft, base cover and rain proof cover.

## FEATURES :

- Material: High strength aluminum tube/Commercial quality steel, weldable grade, hot rolled carbon steel tubing. All welds confirm to AWS D1.1 using E70xx electrodes.
- Height: 10-30 ft
- Finish: Dark Bronze
- Wall thickness gauge: 11
- Maximum EPA rating: 11.5 @ 120mph

## APPLICATIONS :

- Parking lots
- Retail centers
- Industrial parks
- Schools and universities
- Public transit and airports
- Office buildings and medical facilities



SQUARE LIGHT POLE

ROUND LIGHT POLE

## ACCESSORIES:



RAIN COVER



POLE TOP CAP

MODEL	MATERIAL	SHAPE	POLE DIMENSIONS (MOUNTING HEIGHT X SHAFT SIZE)	MAXIMUM EPA RATING	
NUR-WSD-RAL15FT4-125-D (with covers)	ALUMINUM	ROUND	15ft x 4in	7.4 @ 120mph	
NUR-WSD-RAL20FT4-125-D (with covers)			20ft x 4in	4.6 @ 120mph	
NUR-WSD-RAL25FT4-125-D (with covers)			25ft x 4in	4.2 @ 120mph	
NUR-WSD-R10FT3-11G-D (with covers)	STEEL		10ft x 3in	11.6 @ 120mph	
NUR-WSD-R15FT4-11G-D (with covers)			15ft x 4in	7.4 @ 120mph	
NUR-WSD-R20FT4-11G-D (with covers)			20ft x 4in	4.6 @ 120mph	
NUR-WSD-R25FT4-11G-D (with covers)			25ft x 4in	4.2 @ 120mph	
NUR-WSD-R30FT5-11G-D (with covers)			30ft x 5in	3.2 @ 120mph	
NUR-WSD-SAL20FT4-125-D-T (with covers)	ALUMINUM		SQUARE	20ft x 4in	1.6 @ 120mph
NUR-WSD-SAL25FT5-125-D-T (with covers)				25ft x 5in	1.6 @ 120mph
NUR-WSD-10FT4-11G-D-T (with covers)	STEEL			10ft x 4in	11.5 @ 120mph
NUR-WSD-15FT4-11G-D-T (with covers)				15ft x 4in	6.2 @ 120mph
NUR-WSD-20FT4-11G-D-T (with covers)		20ft x 4in		3.1 @ 120mph	
NUR-WSD-25FT4-11G-D-T (with covers)		25ft x 4in		3.0 @ 120mph	
NUR-WSD-30FT4-11G-D-T (with covers)		30ft x 5in		3.25 @ 120mph	



scan to buy



# POLES PRE-INSTALLATION KIT

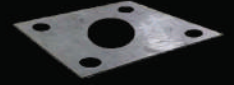
## ANCHOR BOLTS

SKU: NUR-WSD-BMS-D  
Availability: In stock



## SCREW POSITIONING PLATE

SKU: NUR-WSD-SPP-D  
Availability: In stock



# INSTALLATION KITS FOR FLOOD/AREA LIGHTS FOR POLES

## SLIPFITTER MOUNT

SKU: NUR-MNT-SF  
Finish: Dark Bronze  
Availability: In stock  
Two 1/2" hex head screws included with mount



## ROUND POLE MOUNT

SKU: NUR-MNT-PM-BNZ(ARM)  
Finish: Dark Bronze  
Availability: In stock  
Two 5/16" hex bolts and Two 1/2" hex head screws included with mount



## SQUARE POLE MOUNT

SKU: NUR-MNT-SQA01DA-A  
Finish: Dark Bronze  
Availability: Special Order  
Two 5/16" hex bolts and Two 1/2" hex head screws included with mount



## TRUNNION MOUNT

SKU: NUR-MNT-TM/TR-BNZ  
Finish: Dark Bronze  
Availability: In stock



## YOKE MOUNT

SKU: NUR-MNT-TM/YK-BNZ  
Finish: Dark Bronze  
Availability: In stock



## WALL MOUNT

SKU: NUR-MNT-WM-BNZ  
Finish: Dark Bronze  
Availability: In stock  
Two 5/16" hex bolts included with mount



# POLES BRACKET

## 4" SQUARE POLE MOUNT WITH 2-3/8" O.D. TENON

SKU: NUR-ADP-Pole-S-4"  
Finish: Dark Bronze  
Availability: In stock  
Four 5/16" hex bolts included with mount



## 4" ROUND POLE MOUNT WITH 2-3/8" O.D. TENON

SKU: NUR-ADP-4SQR-SP-D  
Finish: Dark Bronze  
Availability: In stock  
Three 3/8" hex bolts included with mount



## 5" SQUARE POLE MOUNT WITH 2-3/8" O.D. TENON

SKU: NUR-ADP-Pole-S-5"  
Finish: Dark Bronze  
Availability: In stock  
Four 5/16" hex bolts included with mount



## 5" ROUND POLE MOUNT WITH 2-3/8" O.D. TENON

SKU: NUR-ADP-5SQR-SP-D  
Finish: Dark Bronze  
Availability: In stock  
Three 3/8" hex bolts included with mount



## TENON AND YOKE ADAPTOR

SKU: NUR-ADP-WALL-FML  
Finish: Dark Bronze  
Availability: Special Order



## ADJUSTABLE POLE MOUNT

SKU: NUR-MNT08-ADJ-ARM-BNZ  
Finish: Dark Bronze  
Availability: In stock



## WALL BRACKET

### 90° 2-3/8" O.D. TENON

SKU: NUR-ADP-WALL-90D  
 Finish: Dark Bronze  
 Availability: Special Order  
 3/8" bolts are required for mounting



## MID POLE TENON

### 2-3/8" O.D. HORIZONTAL TENON MID-POLE BRACKET

SKU: NUR-ADP-SQ-SP-D  
 Finish: Dark Bronze  
 Availability: Special Order



### DOUBLE 90° HORIZONTAL TENON ADAPTOR

SKU: NUR-MNT-R60-SP2-180-D  
 Finish: Dark Bronze  
 Availability: Special Order  
 Two fixtures can be mounted and adjusted horizontally



### TRIPLE 120° HORIZONTAL TENON ADAPTOR

SKU: NUR-MNT-R60-SP3-120-D  
 Finish: Dark Bronze  
 Availability: Special Order  
 Three fixtures can be mounted and adjusted horizontally



## BULLHORNS

### 180° DOUBLE BULLHORN

SKU: NUR-RB2.5D180-D  
 Finish: Dark Bronze  
 Availability: Special Order  
 Two fixtures can be mounted and adjusted horizontally



### 90° QUAD BULLHORN

SKU: NUR-RB2.5QD90-D  
 Finish: Dark Bronze  
 Availability: Special Order  
 Four fixtures can be mounted and adjusted horizontally



## ROUND EXTERNAL MOUNT HORIZONTAL TENON

### DOUBLE 90° HORIZONTAL TENON ADAPTOR

SKU: NUR-MNT-R60-SP2-90-D  
 Finish: Dark Bronze  
 Availability: Special Order  
 Two fixtures can be mounted and adjusted horizontally



### TRIPLE 90° HORIZONTAL TENON ADAPTOR

SKU: NUR-MNT-R60-SP3-90-D  
 Finish: Dark Bronze  
 Availability: Special Order  
 Three fixtures can be mounted and adjusted horizontally



### QUAD 90° HORIZONTAL TENON ADAPTOR

SKU: NUR-MNT-R60-SP4-90-D  
 Finish: Dark Bronze  
 Availability: Special Order  
 Four fixtures can be mounted and adjusted horizontally



### 180° TRIPLE BULLHORN

SKU: NUR-RB2.5TR180-D  
 Finish: Dark Bronze  
 Availability: Special Order  
 Three fixtures can be mounted and adjusted horizontally



### LOW PROFILE BULLHORN WITH 2 TENONS

SKU: NUR-VTS4R-2T-D  
 Finish: Dark Bronze  
 Availability: Special Order  
 Two fixtures can be mounted and adjusted horizontally





# EXIT/EMERGENCY

An exit sign is a pictogram in a public facility (such as a building, aircraft, or boat) denoting the location of the closest emergency exit in case of fire or other emergency that requires evacuation. Most relevant codes (fire, building, health, or safety) require exit signs to be permanently lit.



## CONTENT:

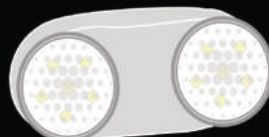
## PAGE NO#

▪ Exit Sign	57
▪ Exit Sign + Light Combo	58
▪ LED Emergency Light Head	59
▪ Edge Lit Exit Sign	60

Exit Sign



Round Emergency Light Head



Square Emergency Light Head





# EXIT SIGN

## DESCRIPTION :

NUR Exit Sign can be used to illuminate exit routes in all commercial and industrial environments. Exit Signs need to be illuminated at all times, even when the building is not occupied. This highly efficient LED Exit Sign provides a cost effective and energy efficient solution for such requirements.

## FEATURES :

- Injection molded thermoplastic ABS housing
- Fire resistant
- 1.2V Nickel Cadmium battery
- Charging time: 24 hours
- Discharging time: 90 minutes
- Operating temperature is 32°F to 104°F
- Single sided and Double sided inserts included

## APPLICATIONS :

- Commercial, industrial, educational, religious and medical buildings
- All exit routes in a building which includes hallways, stairwells and corridors

## DIMENSION :

unit: inch



MODEL	COLOR	INPUT VOLTAGE RANGE	DISCHARGE TIME	AVAILABILITY
NUR-EXIT-CR7037-G	GREEN	120-277VAC	90 MINUTES	IN STOCK
NUR-EXIT-CR7037-R	RED			



scan to buy

# EXIT SIGN + LIGHT COMBO

## DESCRIPTION :

Exit signs are designed to be absolutely unmistakable and understandable to anyone. In the past, this generally meant exit signs that show the word "EXIT" or the equivalent in the local language, but increasingly exit signs around the world are in pictogram form, with or without supplementary text.

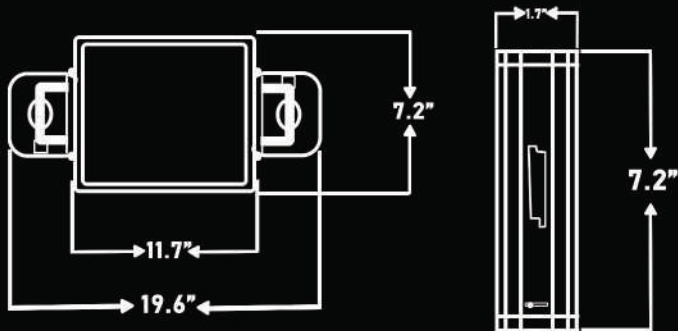
## FEATURES :

- Injection molded thermoplastic housing
- Easy installation
- Wall or ceiling mounting
- Double/Single face configuration
- Input Voltage: 120-277V AC
- Energy efficient
- Exit Light single/double face with Red letters
- Power:2.4W
- 3.6V nickel cadmium battery
- Test switch and charge indicator light
- Backup time: ≥90minutes



## DIMENSION :

unit: inch



MODEL	COLOR	TYPE
NUR-EXIT-COM-RED-S	RED	SQUARE
NUR-EXIT-COM-RED-R		ROUND

Square



scan to buy



Round



scan to buy

# LED EMERGENCY LIGHT HEAD

## DESCRIPTION :

An emergency light is a battery-backed lighting device that switches on automatically when a building experiences a power outage. Emergency lights are standard in new commercial and high occupancy residential buildings, such as college dormitories, apartments, and hotels. Most building codes require that they be installed in older buildings

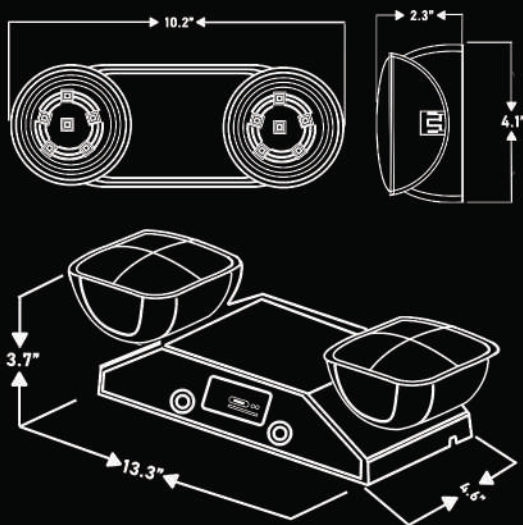
## FEATURES :

- Injection-moulded thermoplastic ABS housing
- Easy installation
- Battery back-up for 90 minutes
- Wall or ceiling mounting
- 2 lamp heads, each of 1.2W
- Input Voltage: 120-277V AC
- 3.6V nickel cadmium battery
- LED Lamp Round Head
- Backup time: 90 mins.



## DIMENSION :

unit: inch



MODEL	BACKUP TIME	TYPE
NUR-EM-LED-90-S	90 MINUTES	SQUARE
NUR-EM-LED-90-R		ROUND

Square



scan to buy



Round



scan to buy



# EDGE LIT EXIT SIGN

## DESCRIPTION :

This 4W red exit sign light is ideal for stairways and hallways in commercial, educational, and healthcare buildings. It features a high-grade acrylic face for a sleek and professional appearance. Its primary purpose is to ensure visibility and provide direction during emergencies.

## FEATURES :

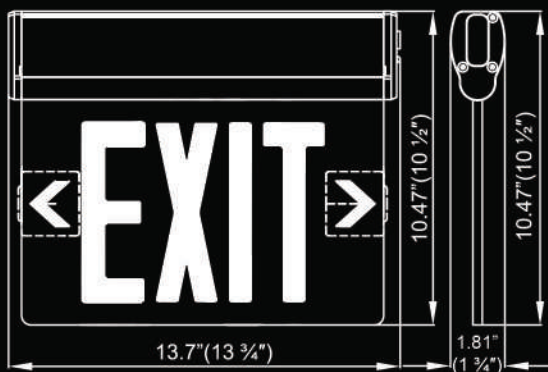
- Construction: Made with an aluminum casing and acrylic face
- LED Count: 8 Red LEDs
- Customizable Arrows: Usable for left, right, or both directions
- Efficiency: Energy-saving and durable LED lighting
- Battery Backup: Equipped with a test switch and charge rate indicator
- Dual Voltage: Compatible with both 120V and 277V electrical systems
- Damp Location Rating: Designed to function in damp environments

## APPLICATIONS :

- Commercial Buildings
- Educational Institutions
- Healthcare Facilities
- Public Buildings

## DIMENSIONS :

Unit: inch



Side mount



Rear mount



Top mount



MODEL	INPUT CURRENT	POWER	EFFICIENCY	RECHARGE TIME	LED QUANTITY	EMERGENCY DURATION	AVAILABILITY
NUR-EXIT-EDGE-RED	0.06A	4W	0.96P	24 Hours	8 Red LEDs	Over 120 minutes	IN STOCK



scan to buy

# NOTES:

---

---

---

---

---

---

---

---

---

---

---

---

---

---

---

---

---

---

---

---

---

---

---

# **L.E.D. CITY**

SIGNS & LIGHTS

**2415 SOUTHWELL ROAD  
DALLAS TX 75229**

**972 488 2489  
INFO@LEDCITYUSA.COM**