

CCT ROTARY WALL REMOTE (RF) SR SERIES

DESCRIPTION:

The CCT Rotary Wall Remote is an RF wall-mounted controller designed for dual-color (warm white and cool white) LED lighting. It offers precise brightness and color temperature adjustments with smooth dimming from 0.1% to 100% without flickering. A double-click function allows seamless switching between brightness dimming and color temperature control. This controller supports a single zone with unlimited receivers and is compatible with RF power repeaters for expanded output.



FEATURES:

- RF wall-mounted controller for dual-color LED lighting
- Rotary adjustment with sensitive rotation control
- Smooth dimming without flickering for enhanced eye comfort
- Double-click function for switching between brightness and color temperature adjustment
- Supports unlimited receivers per zone, with each receiver controllable by up to 8 remotes
- Soft on/off lighting transitions for visual comfort
- Battery-powered for wireless operation
- Compatible with all universal RF receivers

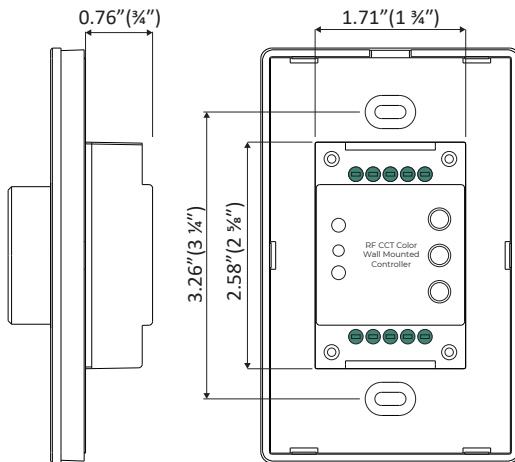


APPLICATIONS:

- Residential
- Commercial
- Hospitality
- Retail
- Theaters
- Museums

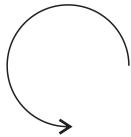
TECHNICAL SPECIFICATIONS:

Output Signal	RF Signal
Radio Frequency	916.5MHz
Control Range	Up to 65.6 ft
Power Supply	3V (CR2032 Battery)
Power Consumption	10 mA
Operating Temperature	32°F to 104°F
Relative Humidity	8% to 80%
Waterproof Rating	IP20
Battery Lifespan	5 years
Dimensions	2.58 x 3.26 x 1.71 in

DIMENSIONS:

FUNCTION INTRODUCTION:

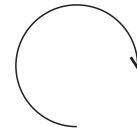
Rotate the knob counterclockwise to:

1. Reduce light intensity from 100% to 1% in brightness mode.
2. Adjust the color temperature from warm white to cool white in dual-color mode.



Rotate the knob clockwise to:

1. Brighten the light from 1% to full intensity in brightness mode.
2. Shift the color temperature from cool white to warm white in dual-color mode.

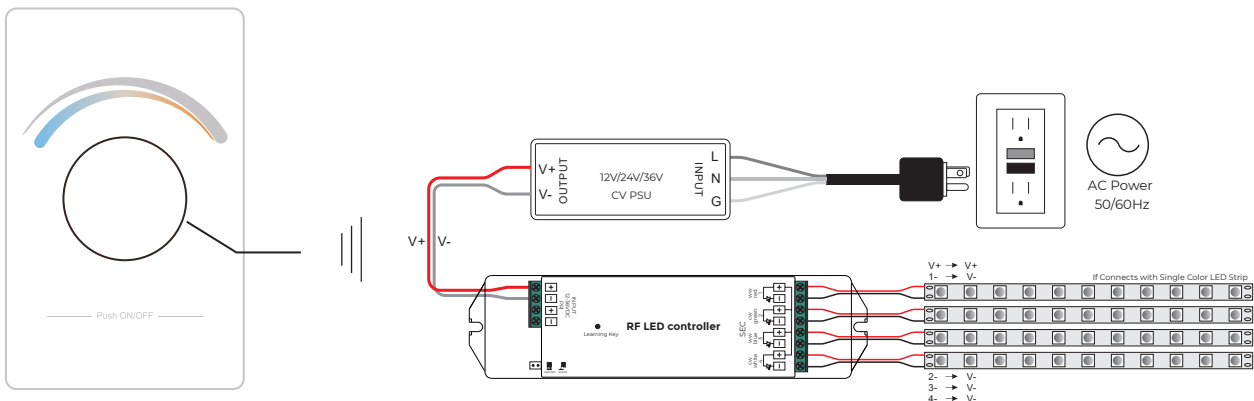


Front side

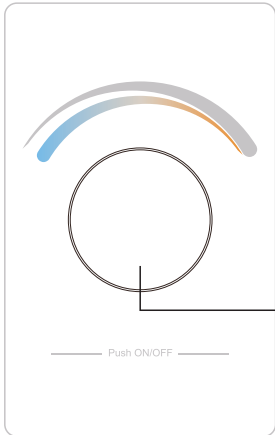
Press the knob to turn the light ON or OFF.
 Hold down the knob to increase brightness to 100%.
 Double-click the knob to toggle between dual-color mode and brightness mode.

WIRING DIAGRAM:

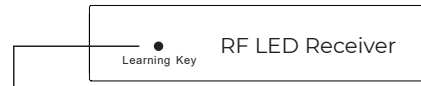
For single-color LEDs:


Note: Each Device Sold Separately

PAIR WITH RF RECEIVER:



Step 1: Connect the Wiring – Wire the wall panel and RF receiver according to the wiring diagram.

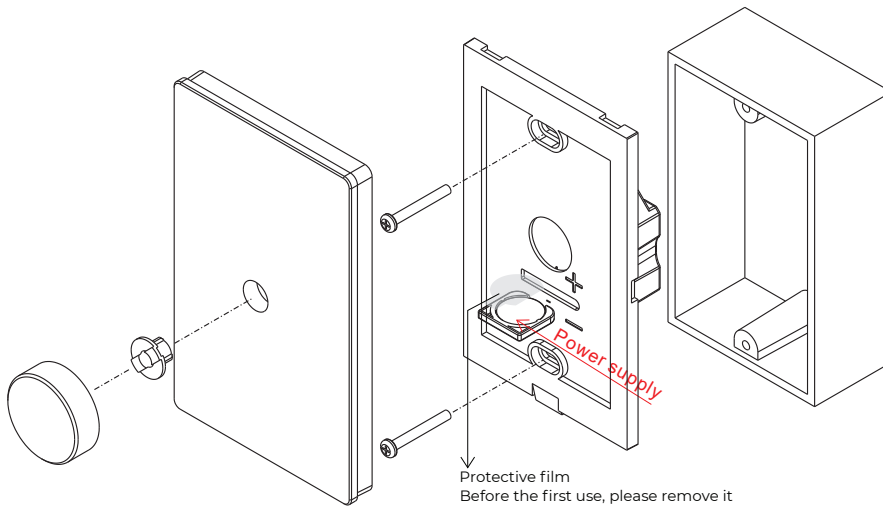


Step 2: Activate Pairing Mode – Press the “Learning Key” button on the RF receiver or power cycle the receiver three times to enter pairing mode.

Step 3: Complete Pairing – Rotate or press the knob; if the connected LED lights blink once, the pairing is successful.

Note: Each receiver can pair with up to 8 remote controls.

INSTALLATION:



SAFETY AND WARNINGS:

- Ensure power is turned off before installation.
- Keep the device away from moisture.

COMPATIBLE RECEIVER (SOLD SEPARATELY):

RGBW 4 CHANNEL CONTROLLER (RF) SR SERIES

- SKU: CONT-SR-1009FA
- Input Voltage: 12-36V DC
- Wattage: 240-720W
- Output Current: 5A per channel
- IP Rating: IP20

