

CCT ROTARY DESKTOP REMOTE (RF) SR SERIES

DESCRIPTION:

The CCT Rotary Desktop Remote is a radio frequency (RF) rotary control designed for dual-color LED lighting, offering smooth brightness dimming and precise color temperature adjustments between warm white and cool white. Featuring a user-friendly rotary knob, it provides flicker-free control with a 0.1% to 100% dimming range. Double-click function allows seamless switching between brightness and color settings. Powered by a long-lasting battery, it controls a single zone with unlimited receivers and features a table-mounted design for effortless installation.



FEATURES:

- RF rotary control with brightness dimming and color temperature adjustment for dual-color LED lighting.
- Reliable and stable switch and dimming control with a 65ft range.
- Smooth on/off switching without flashing, ensuring eye comfort.
- 0.1% to 100% dimming range without flickering.
- Supports power repeaters to expand output power indefinitely.
- Controls one zone with unlimited receivers; each receiver can be paired with up to 8 remotes.
- Table-mounted design with easy installation.
- Long battery life, lasting up to 5 years.



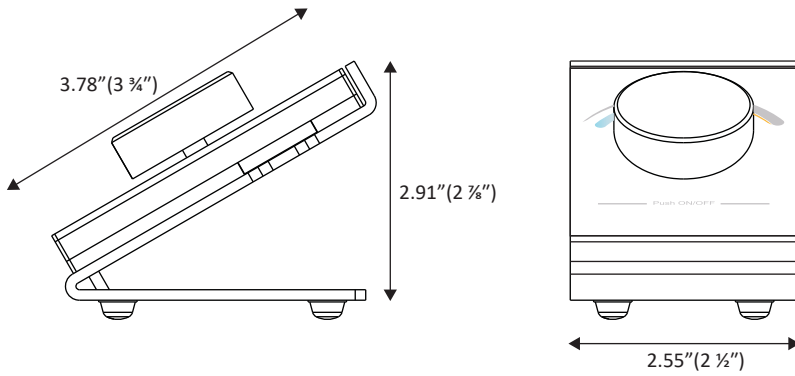
APPLICATIONS:

- Residential and commercial lighting control
- Smart home lighting systems
- Architectural and decorative lighting
- Office and workspace lighting
- Retail and hospitality lighting

TECHNICAL SPECIFICATIONS:

Output Signal	RF Signal
Power Supply	3V (CR2025 battery)
Power Consumption	10 mA
Operating Temperature	32°F to 104°F
Relative Humidity	8% to 80%
Rotation Sensitivity	High precision
RF Compatibility	Works with all universal RF receivers
Radio Frequency	868/869.5/916.5/434 MHz
Control Function	Adjusts brightness and CCT color
Control Range	1 RF zone
Waterproof Rating	IP20 (Indoor use only)
Dimensions	3.78 x 2.55 x 2.91 inches

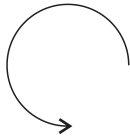
DIMENSIONS:



FUNCTION INTRODUCTION:

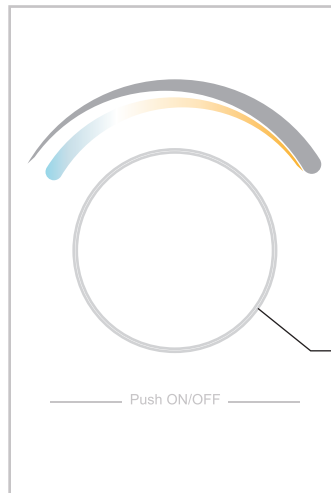
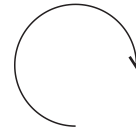
Rotate the knob counterclockwise:

1. Decreases brightness from 100% to 1% (brightness mode).
2. Adjusts color temperature from warm white to cool white (dual-color mode).



Rotate the knob clockwise:

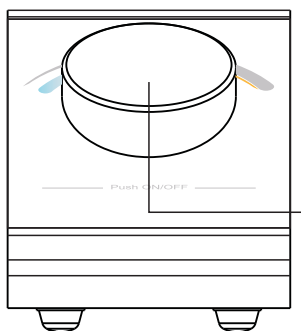
1. Increases brightness from 1% to 100% (brightness mode).
2. Adjusts color temperature from cool white to warm white (dual-color mode).



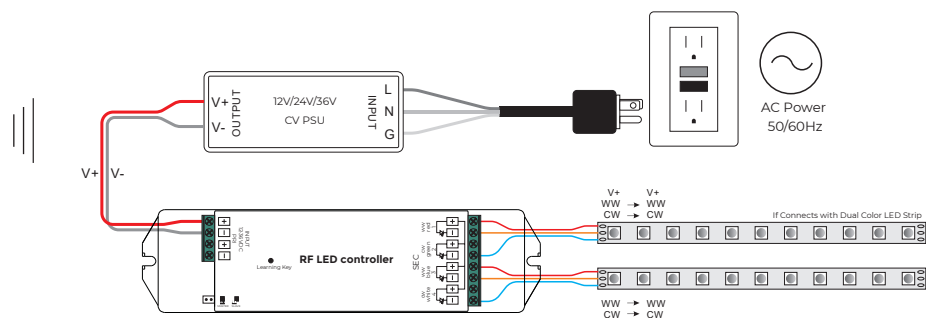
Front Side

- Click the knob to turn the light ON/OFF.
- Press and hold to instantly set brightness to 100%.
- Double-click to switch between brightness mode and dual-color mode.

WIRING DIAGRAM:



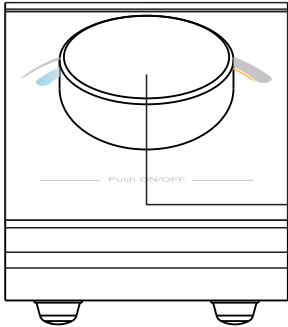
(Desktop Remote)



Compatible with our 4 channel LED Controller SR Series

Note: Each Device Sold Separately

PAIR WITH RF RECEIVER:



Step 1: Connect the RF Receiver – Wire the RF receiver according to the wiring.

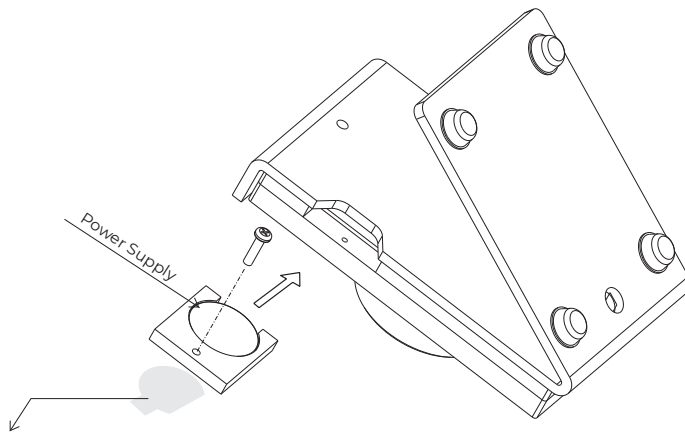


Step 2: Activate Pairing Mode – Press the “Learning Key” button on the RF receiver to enter pairing mode.

Step 3: Pair the Remote – Rotate or click the knob; if the connected LED lights flicker once, the pairing is successful.

Note: Each RF receiver can be paired with up to 8 remote controls.

INSTALLATION:



Remove the protective film before first use.

SAFETY AND WARNINGS:

- Ensure power is turned off before installation.
- Keep the device away from moisture.

COMPATIBLE RECEIVER (SOLD SEPARATELY):

RGBW 4 CHANNEL CONTROLLER (RF) SR SERIES

- SKU: CONT-SR-1009FA
- Input Voltage: 12-36V DC
- Wattage: 240-720W
- Output Current: 5A per channel
- IP Rating: IP20

