

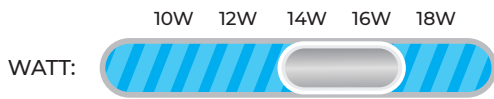
# ADJUSTABLE LED T5 TUBE LIGHT

## DESCRIPTION:

The Adjustable T5 LED Tube Light is designed to replace traditional T8, T12, or T5 fluorescent lamps, offering superior energy efficiency and extended operational life. Its advanced LED technology and durable housing provide a maintenance-free solution for long-term use. This product is ideal for applications requiring consistent, uniform lighting with minimal environmental impact.

## FEATURES:

- Energy-efficient, replacing traditional fluorescent tubes and saving up to 50% in energy consumption.
- Constructed with aluminum housing and an acrylic lens to diffuse light evenly for a uniform appearance.
- Three preset modes for adjustable time and lumen percentage settings.
- Eco-friendly design with no UV, mercury, or infrared radiation.
- Shatterproof materials for durability.
- Low heat emission for enhanced safety and energy savings.
- Offers six adjustable color temperatures (6CCT tunable).
- Wattage adjustable for 3 ft tubes: 6W, 8W, 10W, 12W, or 14W.
- Wattage adjustable for 4 ft tubes: 10W, 12W, 14W, 16W, or 18W.
- One tube provides 30 different lighting options.



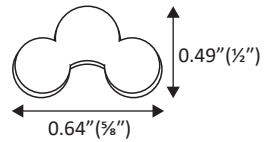
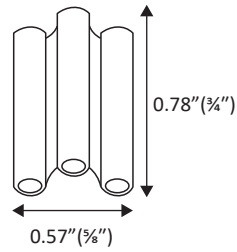
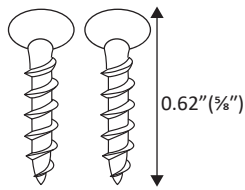
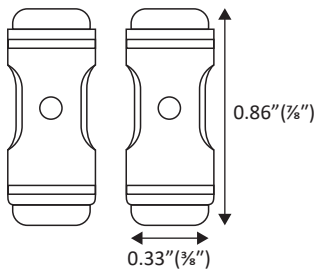
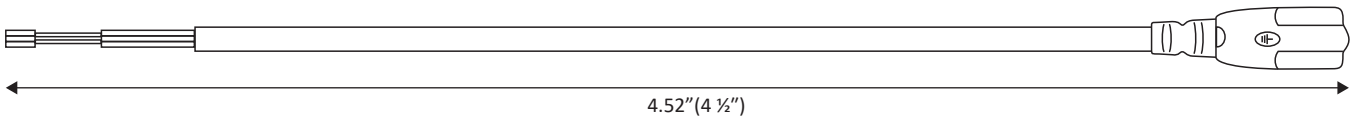
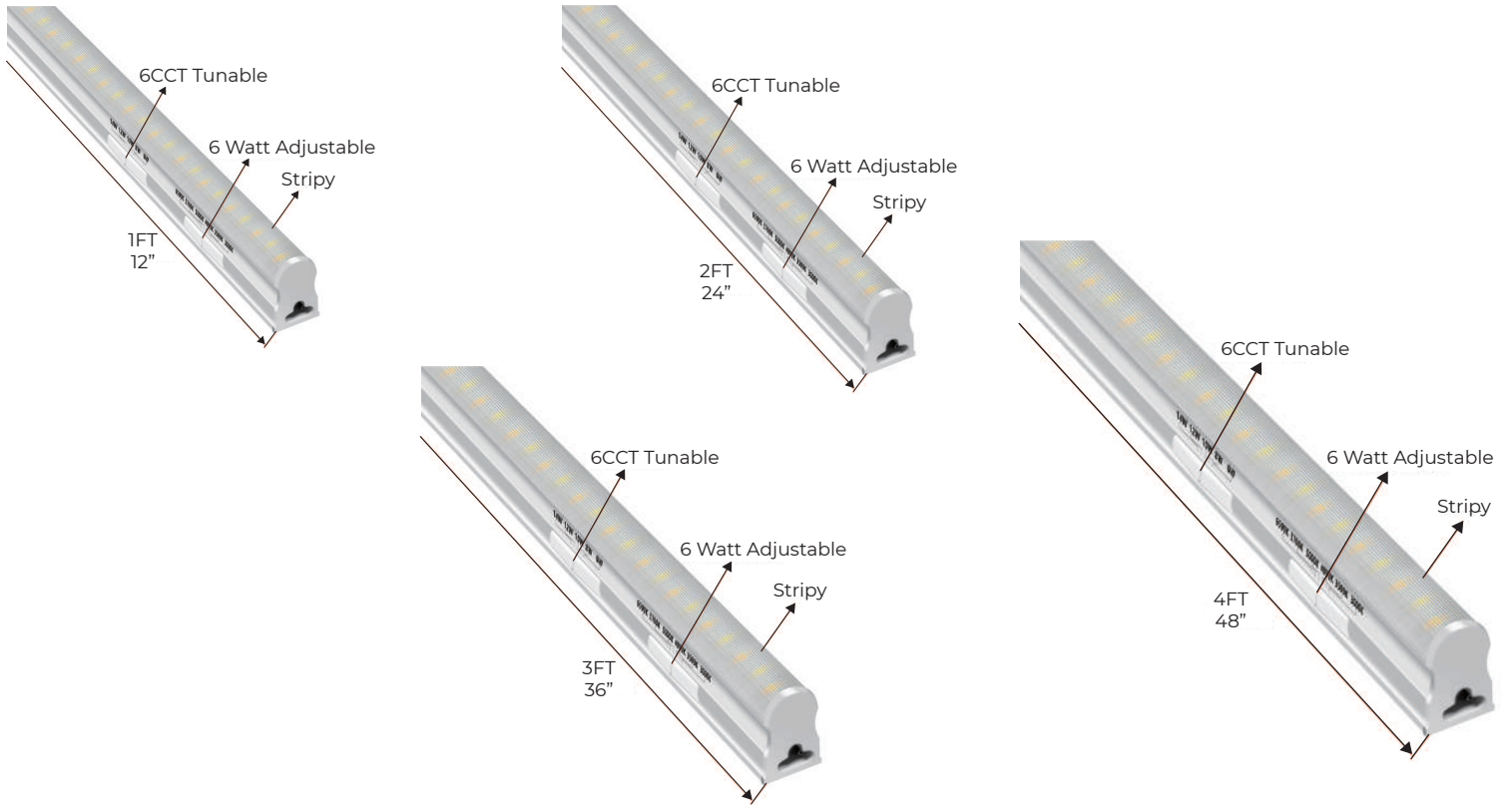
5WATT ADJUSTABLE

6CCT TUNABLE

## APPLICATIONS:

- Commercial lighting
- Industrial lighting
- Office spaces
- Retail environments
- Educational institutions
- Healthcare facilities
- Residential spaces

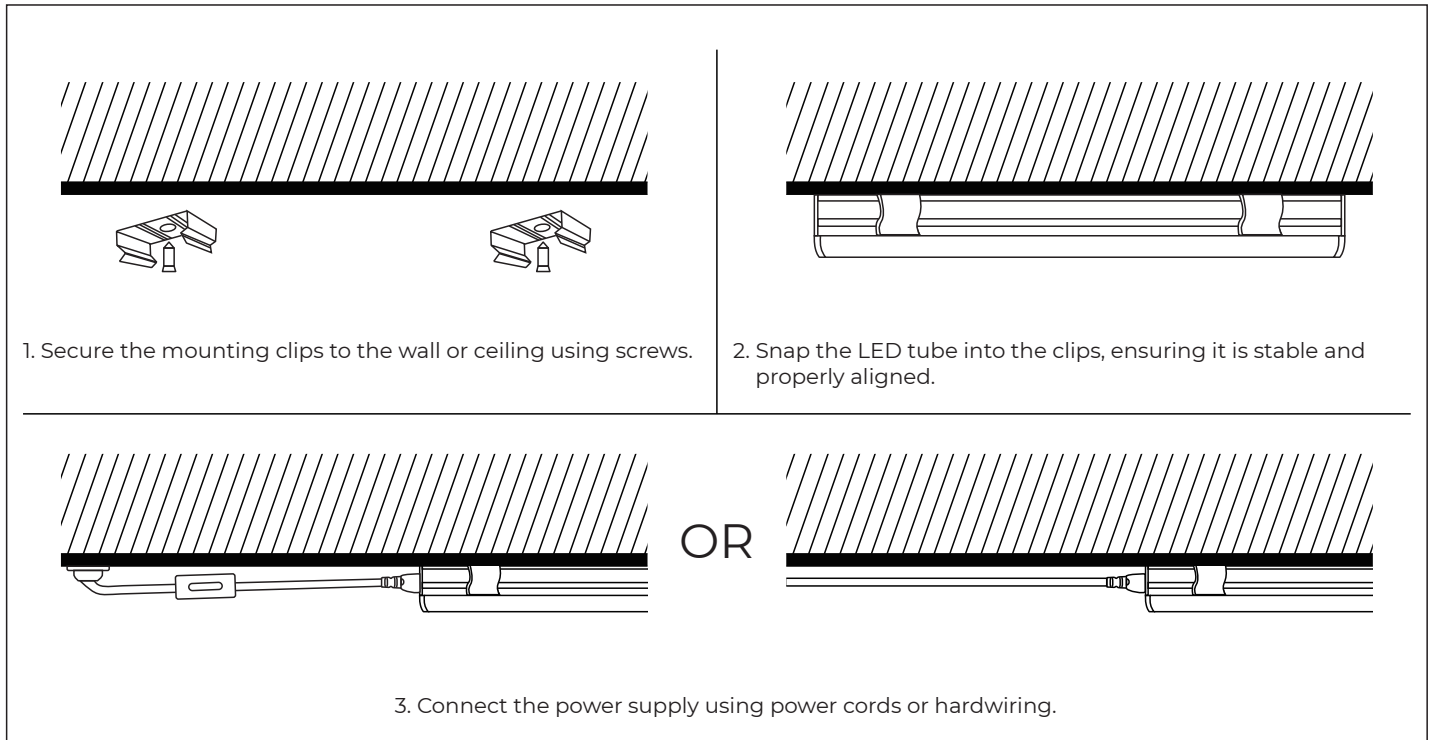
**DIMENSIONS:**



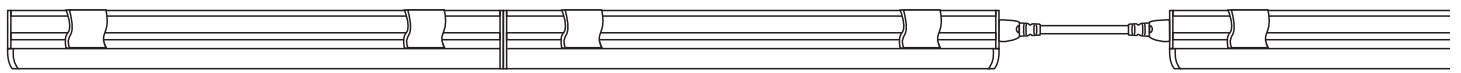
**TECHNICAL SPECIFICATIONS:**

Length	1FT.	2FT.	3FT.	4FT.
Wattage	5W	9W	6W/8W/10W/12W/14W	10W/12W/14W/16W/18W
Lumens	600LM	1100LM	1700LM	2200LM
Voltage	AC 100-277V			
CCT Options	6CCT (3000K, 3500K, 4000K, 5000K, 5700K, 6500K)			
Power Factor	> 0.9 PF			
Color Rendering Index (CRI)	> 80 Ra			
Working Temperature	-4°F to 104°F			
Luminous Efficacy	125 lm/W (standard), 170 lm/W (high efficacy)			
Beam Angle	120°			
Warranty	3 years			
Rated Lifetime	50,000 hours			

**INSTALLATION:**



Supports connection of up to twelve lights:

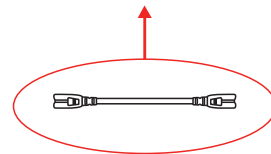
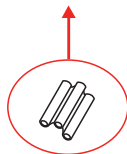


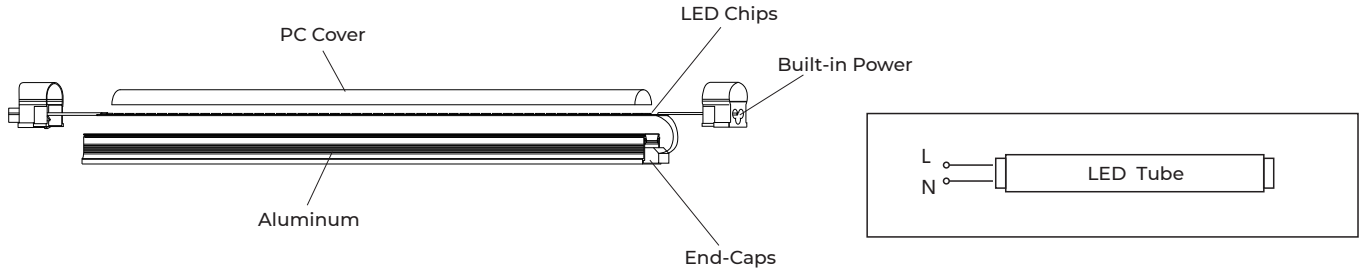
Hardwire guide:

Black wire: Live wire (L)

White wire: Neutral wire (N)

Green wire: Earth wire (E)





**Electrical Shock Warning:** Turn off the power supply before connecting the wires. All wiring and installation must be performed by qualified professionals.

**CAUTION:**



Integrated tubes must not exceed the specified maximum connection quantity:

- 2 ft: Up to 8 tubes
- 4 ft: Up to 6 tubes
- 5 ft: Up to 4 tubes
- 8 ft: Up to 3 tubes

**WARNING:**

- Ensure the power is turned off before installation. Only a certified electrician should perform the installation.
- Check the tube for any signs of damage, deformation, or missing components before installation.
- Use the product within the specified input power range.
- This tube is not compatible with dimmers.
- For indoor use only. Avoid exposure to rain (waterproof models are available).
- If the light malfunctions, switch off the power and verify the connections.
- Always use a UL-certified 3-pin plug.

**ORDERING GUIDE:**

SKU: LME-NUR-TP-T5-1FT-5W-CCT-FRS					
Product	Item	Size	Wattage	Color Temperature	Cover
LME-NUR-TP	T5	1FT	5W	CCT	FRS/CLR
		2FT	9W		FRS/CLR
		3FT	12W		FRS/CLR
		4FT	16W		FRS

**ACCESSORY (SOLD SEPARATELY):**



3.2ft Plug-in Power Cord for T5 Linkable LED Fixture  
SKU: LME-PLG-3.3FT