

# WIDE SQUARE ALUMINUM CHANNEL

## DESCRIPTION:

The Wide Square Aluminum Channel is expertly crafted for both recessed and surface-mounted installations, accommodating LED strip lights up to 0.63 inches wide. Its wide extrusion profile enhances aesthetics while efficiently conducting heat to extend the lifespan and optimize the performance of LED strip lights. The frosted snap-in diffuser ensures consistent light distribution, making it ideal for diverse applications, including indoor and damp environments.



## FEATURES:

- Compatible with LED strip lights up to 0.63 inches wide.
- Constructed from durable Aluminum 1060 and polycarbonate for longevity.
- Frosted polycarbonate diffuser ensures uniform, dot-free illumination.
- Resistant to UV, heat, and impact for long-term reliability.
- Snap-in design for easy installation and secure mounting.
- Wide profile design enhances aesthetics for modern installations.

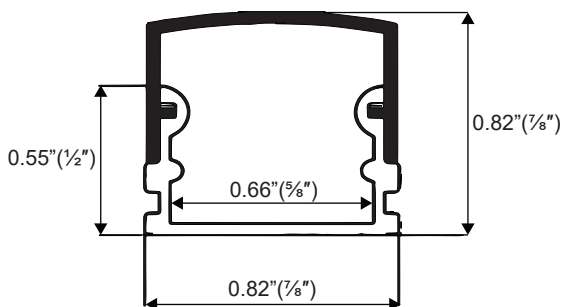
## APPLICATIONS:

- Surface-mounted: Floors, ceilings, cabinets, showcases.
- Recessed: Floors, ceilings for seamless integration.
- Pendant-mounted: Suspended lighting solutions.
- Corners: Contours, door sides, furniture, walls.
- Stairs: Steps and risers for functional lighting.

## TECHNICAL SPECIFICATIONS:

Material	Aluminum 1060 & PC
Beam Angle	140°
Length	6.4 ft
Color	Silver
LED Strip Compatibility	Up to 0.63 inches wide, recommended 37 LEDs/ft for dot-free light
Surface Finish	Silver Anodization
IP Rating	IP20

## DIMENSIONS:



**ACCESSORIES (SOLD SEPARATELY):**

Wide Square Channel End Cap  
SKU: AE-2114-CAP



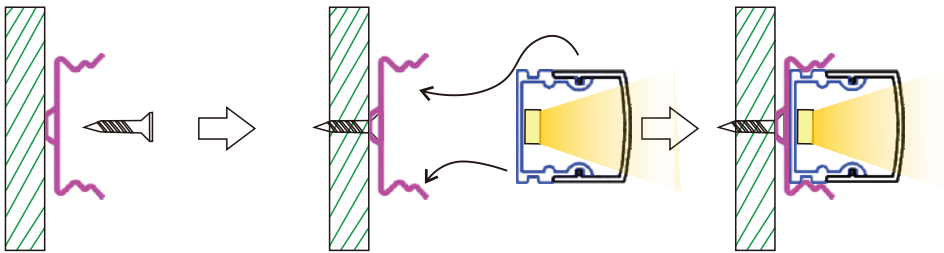
Wide Square Channel Bracket  
SKU: AE-2114-MNT



Wide Square Channel Cover  
SKU: AE-2114-CVR-FRS-2M(Square)

**SERVICE ENVIRONMENT AND INSTALLATION:**

## 1. Mounting clip



## 2. Supports double-sided tape

