

PS LED COVE JX75

DESCRIPTION:

PS LED Cove moulding offers indirect lighting for brighter interior. These waterproof, sleek, and customizable fixtures provide ambient lighting that can modify any room. Made of polystyrene, LED Cove mouldings are specifically designed to accommodate LED lights. They are a sustainable and cost-effective option for modern lighting requirements, allowing for the installation of LED strips to create a warm lighting effect in various areas.



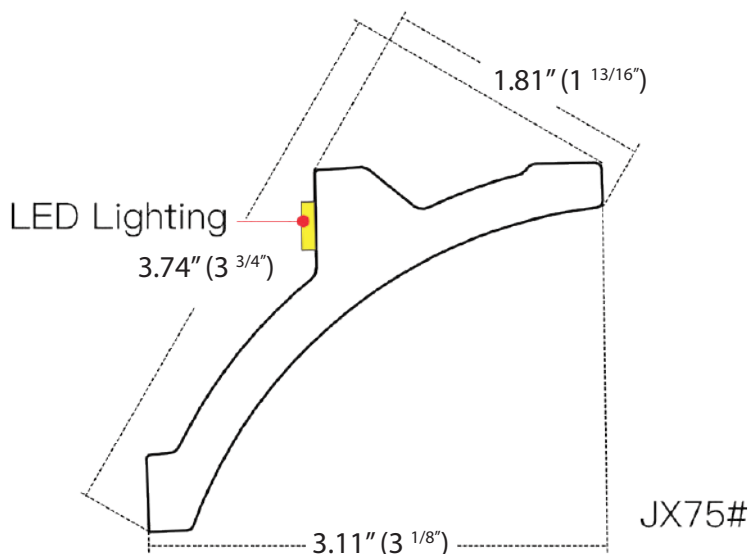
FEATURES:

- Water-Resistant: Suitable for humid or wet environments.
- Termite-Resistant: Ensures long-term durability.
- Formaldehyde-Free: Provides a healthier indoor environment.
- Lightweight and Easy to Install: Saves time and labor costs.

APPLICATIONS:

- Living rooms
- Kitchens
- Terraces
- Bedrooms
- Basements
- Theaters

DIMENSIONS:



SPECIFICATIONS:

Density	Approximately 0.026 lbs/cu ft
Raw material	Polystyrene
Installation	Silicon glue or Buckle
Witdh	3.74 inches
Height	1.81 inches
Length	8ft
Structure	New virgin material
Finish	White