

ADJUSTABLE CCT LED DISK DOWNLIGHT

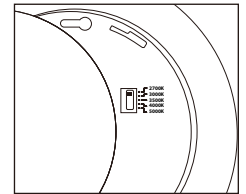
DESCRIPTION:

Our Adjustable CCT LED Disk Downlight is suitable for commercial and residential use. It features an adjustable CCT color temperature and a high-efficiency, energy-saving LED driver. This TRIAC dimmable LED light offers versatile installation options. The 15W adjustable CCT light is ideal for hotels, corridors, home decoration, shopping malls, exhibition rooms, and many other applications with an E26 base.



FEATURES:

- Good heat dissipation
- Excellent thermal management to ensure long lifetime of LED
- Selectable color temperature (2700K, 3000K, 3500K, 4000K, 5000K)
- High color rendering
- Triac dimmable

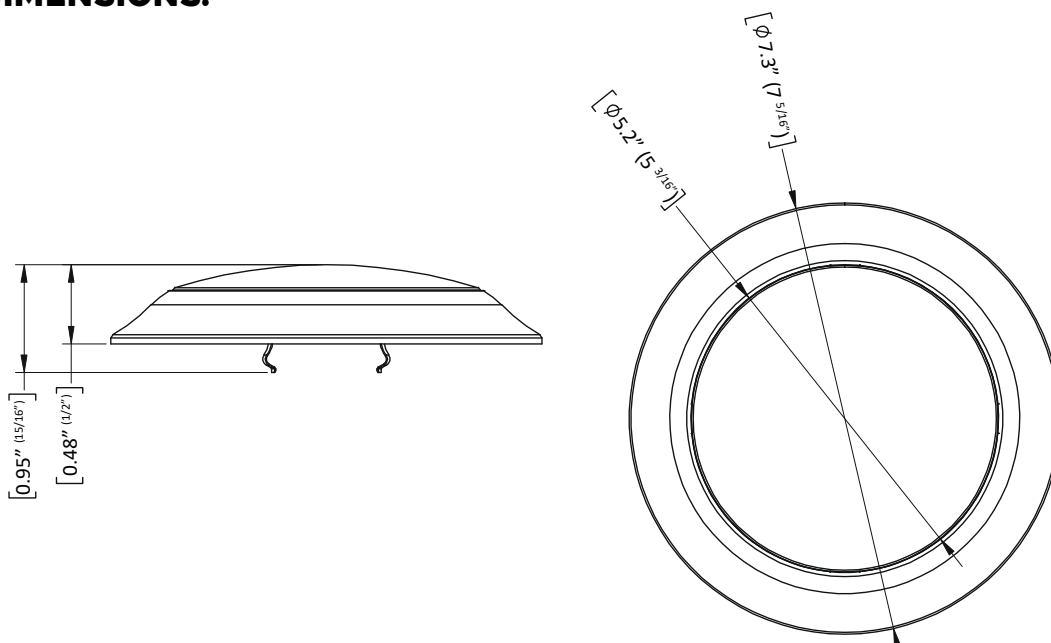


CCT adjusting detail

APPLICATIONS:

- Hotel
- Corridor
- Home Decoration
- Shopping Mall
- Exhibition Room

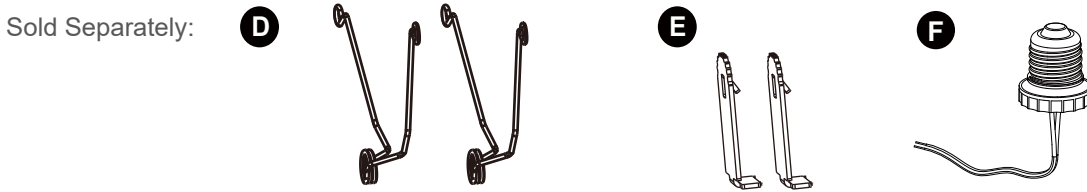
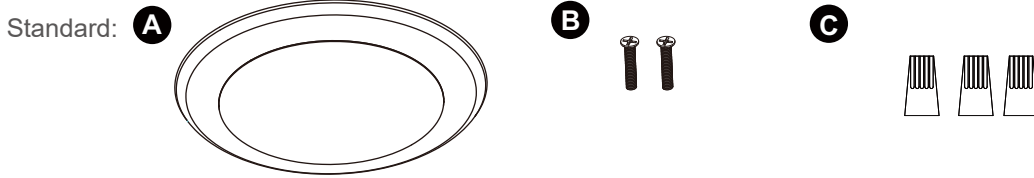
DIMENSIONS:



TECHNICAL SPECIFICATIONS:

SKU	CCT	Lumens	Beam Angle	LED Type	Power	Voltage, Frequency	CRI	PF	Dimming Type	Control method
DK-SC-15W-5CCT-WHT	2700K	910LM	110°	2835	15W	AC120V /60Hz	≥90	>0.8	Triac dimmable	Change color temperature by dial switch
	3000K	950LM								
	3500K	900LM								
	4000K	910LM								
	5000K	1000LM								

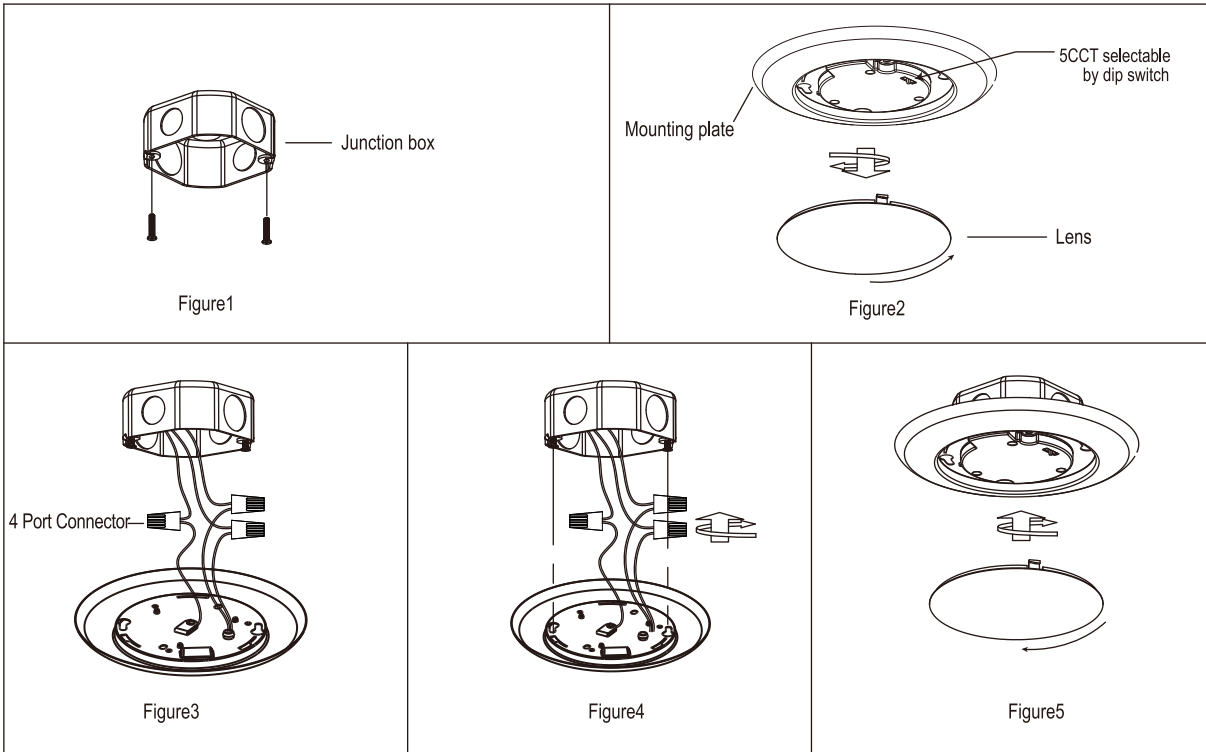
ACCESSORIES:



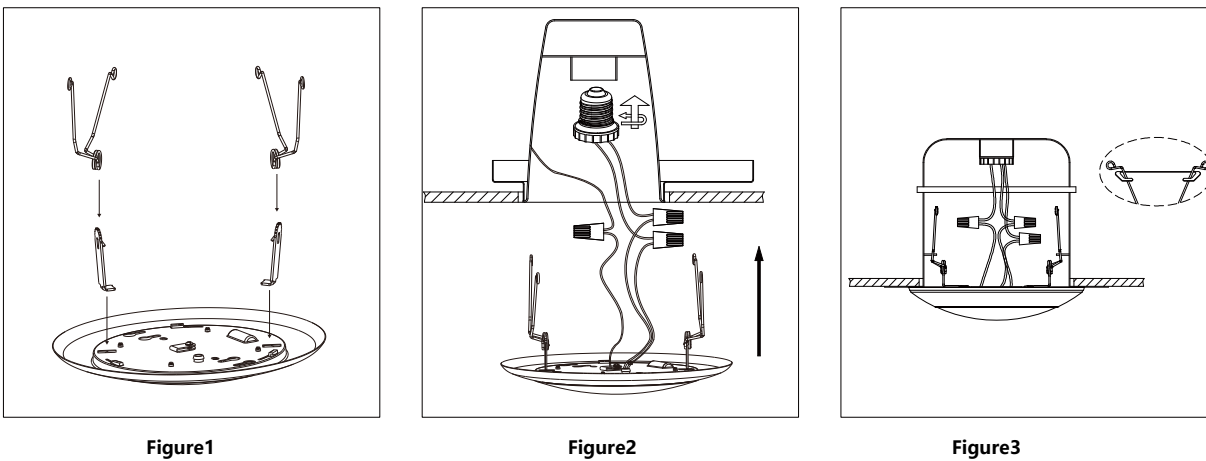
	PART	DESCRIPTION	QUANTITY
Standard:	A	6in Round LED Disc	1
	B	Mounting Screws	2
	C	Wire nut	3
Sold Separately: SKU: DK-MNT	D	Spring iron support	2
	E	Mounting iron	2
	F	E26 Base Whip	1

INSTALLATION DIAGRAM:

1. Installation for junction box:



1. For Can Installation:



PACKING INFORMATION:

Model	Inner box dimension	Unit net weight	Carton box dimension	Packing qty.	Carton box gross weight
DK-SC	7.48" x 1.96" x 7.67"	0.47 lbs	20.6*15.7*16.1"	40PCS	16.42 lbs

! WARNING

- Safety First: LED Retrofit Kit installation requires electrical expertise. If you're unsure, consult a qualified electrician. or equivalent in format S24-L5.
- Compatibility Check: Risk of fire or electric shock. Install the kit and Ensure this matches your luminaire's construction and input rating. or equivalent in format S24-L5.
- Avoid Damage: Refrain from drilling holes or exposing wiring during installation. or equivalent in format S24-L5.
- Protect Wiring: Keep wiring away from sharp edges to prevent damage. or equivalent in format S24-L5.
- Certification: This product must be installed in accordance with the applicable installation code by a person familiar with the construction and operation of the product and the hazards involved, or equivalent in Format S24-L4.