

WALL PACK LED LIGHT

Description:

This Wall Pack LED Light with Adjustable CCT and Wattage provides uniform light distribution. This energy efficient LED wall pack is available in 38W and 100W having life span of 50,000 hours. This 1-10V Dimming LED wall pack is constructed from heavy duty aluminum housing with IP65 rating. This UV Stabilized lens LED light features adjustable color temperature between 3000k TO 5000k. This light is ideal for commercial, residential and industrial areas. Photocell and emergency battery backup are also available as separate options.



Features:

- The two-piece die-cast aluminum housing securely encloses the thermally conductive LED panel and electrical chamber.
- The design facilitates thermal conduction of LED heat, optimizing performance and ensuring a long lifespan.
- Suitable for applications requiring 3G vibration testing as specified by ANSI C136.31.
- Available with scalable lumen packages to meet diverse requirements.
- The anti-UV prismatic translucent lens is engineered to enhance light distribution and uniformity.
- Features an estimated 50,000-hour LED lifespan based on IES LM-80 testing and TM-21 calculations.
- Optional photocell available for added functionality.
- Optional emergency battery for uninterrupted operation during power outages.
- 1-10V dimming capability for customizable lighting levels.
- Operates reliably in temperatures ranging from -40°F to 104°F.
- Backed by a 5-year warranty for peace of mind.
- UL and cUL listed for wet location use.
- DesignLights Consortium™ (DLC) Qualified and classified under the DLC Standard for all lumen packages.

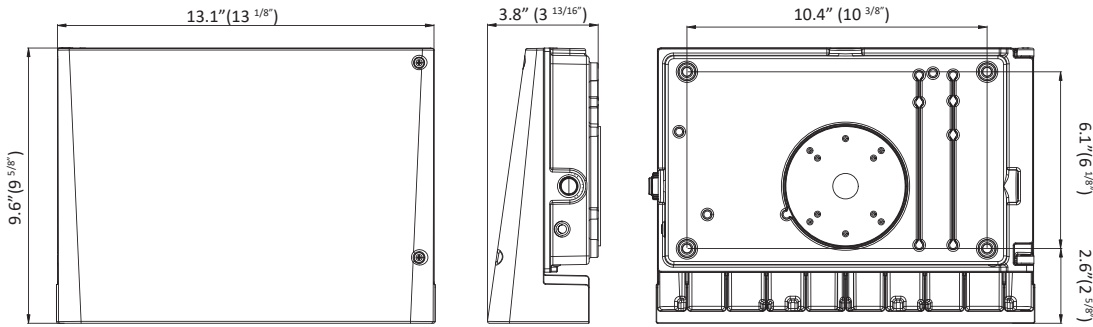


Applications:

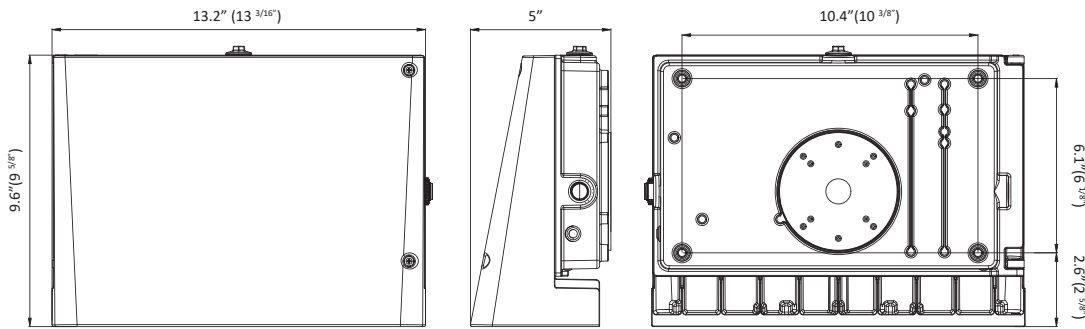
- Commercial Buildings
- Industrial Facilities
- Parking Areas
- Educational Institutions
- Healthcare Facilities
- Residential Complexes
- Municipal Projects

Dimensions:

38W



For 100W



Structural Design:

Photocell (Option)
Optional photocell allows for security and energy saving.

Housing
Two-piece die-cast aluminum housing with optimal thermal management both enhances LED efficacy and extends fixture's life.

Optics
Zero uplight distributions. Independently designed optical lens, using anti-UV material to maximize the lighting effect while reducing glare.

Mounting
MWP15 can be mounted directly over a standard 4' and 5' electrical junction box. Three 1/2 inch conduit holes on three sides allow for surface conduit wiring.

Emergency (Option)
8W Emergency battery, 900lm, 90min.

Power and CCT controller
The wattage and CCT can be changed by switch selection on the controller, it easy and very fast to meet the varied requirements.

PERFORMANCE DATA (@ CCT Dial)

SYSTEM WATTS	VOLTAGE	CRI	LUMENS (3000K)	LPW (3000K)	LUMENS (4000K)	LPW (4000K)	LUMENS (5000K)	LPW (5000K)
38W	120-277VAC	70	5600lm	147 lm/W	6000lm	158 lm/W	5700lm	150 lm/W
100W	120-277VAC	70	14800lm	148 lm/W	15500lm	155 lm/W	15000lm	150 lm/W

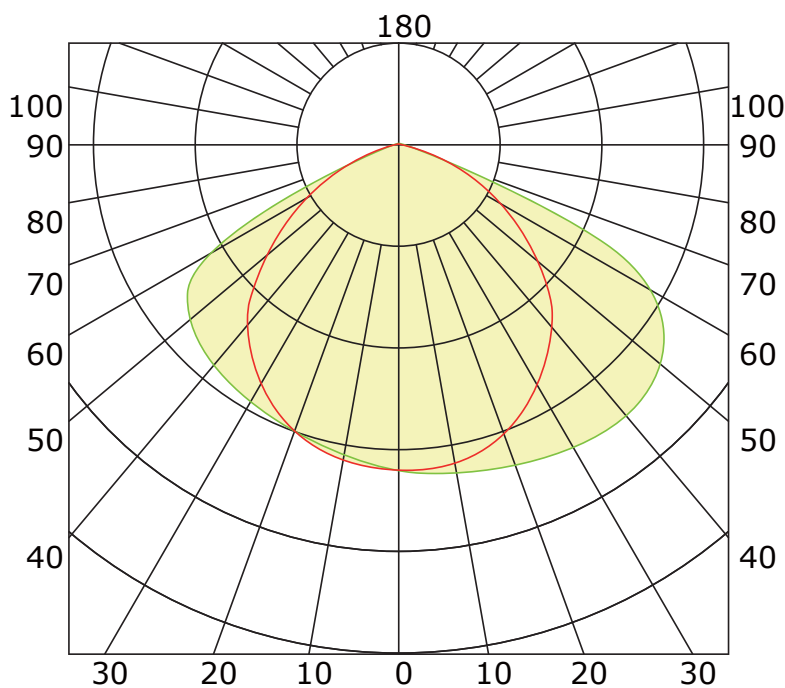
ADJUSTABLE LUMEN OUTPUT TABLE

SETTING	VOLTAGE	38W		100W	
		SYSTEM WATTS	LUMENS (5000K)	SYSTEM WATTS	LUMENS (5000K)
100%	120-277VAC	38.12	5690.70	103.20	14950.00
80%	120-277VAC	30.95	4871.24	84.21	12725.44
60%	120-277VAC	23.01	3697.60	61.92	9548.57
40%	120-277VAC	16.89	2789.20	42.83	6667.70

ELECTRICAL DATA

Number Of Drivers	Driver Current (mA)	Nominal Power (W)	INPUT VOLTAGE (V)	CURRENT (Amps)
1	680	38	120	0.32
		38	208	0.18
		38	240	0.16
		38	277	0.14
1	850	100	120	0.83
		100	208	0.48
		100	240	0.42
		100	277	0.36

PHOTOMETRICS



ACCESSORIES(Optional)



Photocell

USE: Photocell is field installed or pre-installed in factory by requesting

SKU: CONT-Photocell



Emergency Battery Backup

Description : It can be pre-installed in factory or field installed

SKU: NUR-OD-BATTERY

ORDERING GUIDE

Example: NUR-WP15-S-38W-CCT

Model	Wattage	Color Temperature
NUR-WP15-S	<input type="text"/>	<input type="text" value="CCT"/>
	38W 100W	