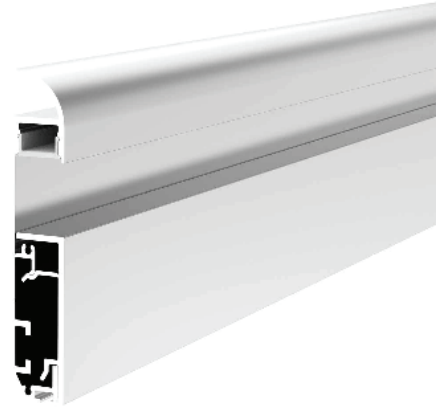


SURFACE BASEBOARD ALUMINUM CHANNEL

DESCRIPTION:

The Surface Baseboard Aluminum Channel is designed for accent lighting in both residential and commercial spaces. Constructed from High quality Aluminum provides longer lifespan. PC diffused cover ensures even light distribution. This channel is ideal for illuminating corridors, staircases, hallways, and other areas requiring subtle and stylish lighting. Its surface installation allows for easy setup, especially suited for new remodels where clean and modern lighting solutions are desired.



FEATURES:

- Durable Construction: High-quality 6065-T5 aluminum for longevity.
- Diffuser Cover: Polycarbonate (PC) for soft light distribution.
- Compatibility: Fits LED strips up to 0.39 inches wide.
- Beam Angle: 100° for uniform illumination.
- Finish: Anodized silver for a sleek look.

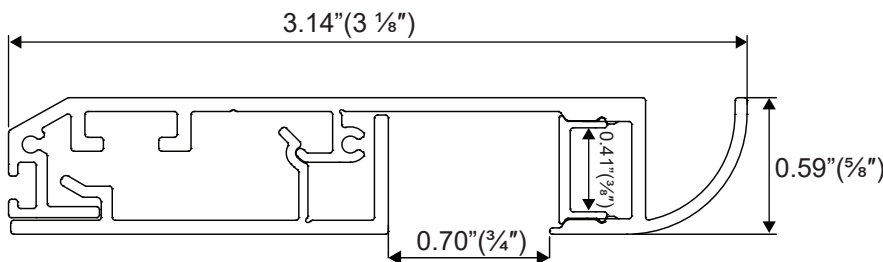
APPLICATIONS:

- Corridors
- Hallways
- Staircases
- Restrooms

TECHNICAL SPECIFICATIONS:

Material	Aluminum Profile 6065-T5
Finish	Silver anodized
Cover	PC diffused cover (sold separately)
Length	6.4ft
Weight	0.639 lb/ft
Max LED Strip Width	0.39 inches
Beam Angle	100°
Installation	Surface

DIMENSIONS:



ACCESSORIES (SOLD SEPARATELY):



End Caps
SKU: AE-SK1580TR-18-CAP



180° Connector(Metal)
SKU: AE-CONN-180°

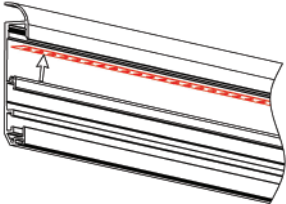
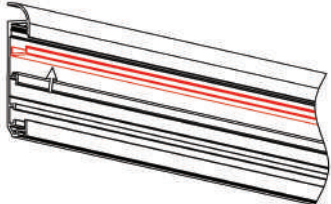
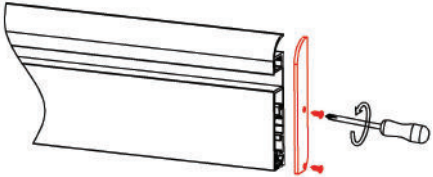
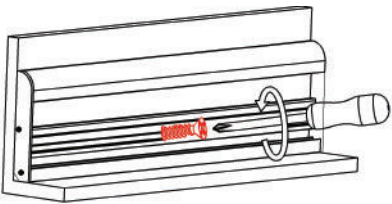
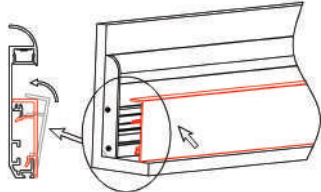


90° Vertical Connector (Metal)
SKU: AE-CONN-V-90°



Cover
SKU: AE-087/069/068-CVR-FRS-1M
AE-087/069/068-CVR-FRS-2M

STEPS OF INSTALLATION:

<p>1. Attach the LED strip.</p> 	<p>2. Snap on the diffused cover.</p> 	<p>3. Secure the end caps.</p> 
<p>4. Position Profile A in the corner.</p> 	<p>5. Connect Profile B to Profile A.</p> 	<p>6. Installation is complete.</p> 