

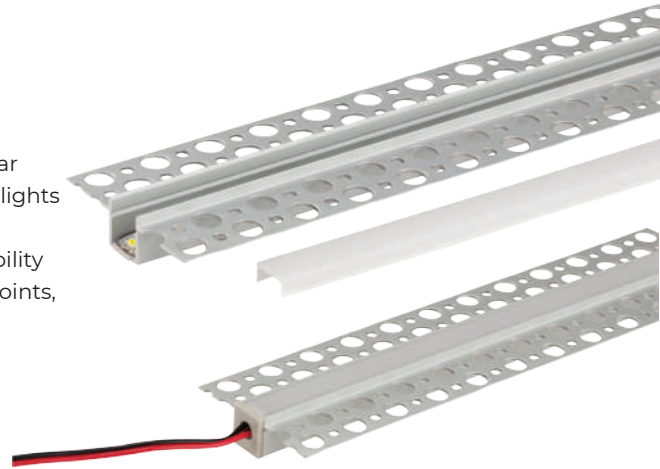
SLIM WALL EDGE RECESSED ALUMINUM CHANNEL

DESCRIPTION:

The Slim Wall Edge Recessed Aluminum Channel is designed for recessed linear lighting in drywall installations. It provides seamless integration with LED strip lights to create modern and elegant architectural designs. With its trimless recessed installation and high-quality aluminum construction, this profile ensures durability and a clean finish. The channel is ideal for applications such as wall edges, tile joints, and other creative lighting solutions.

FEATURES:

- High-quality aluminum profile 6063-T5 for durability and heat dissipation.
- Seamless trimless design for a sleek, modern look.
- Silver anodized finish for corrosion resistance and aesthetic appeal.
- Polycarbonate (PC) diffused cover (sold separately) for uniform light distribution.



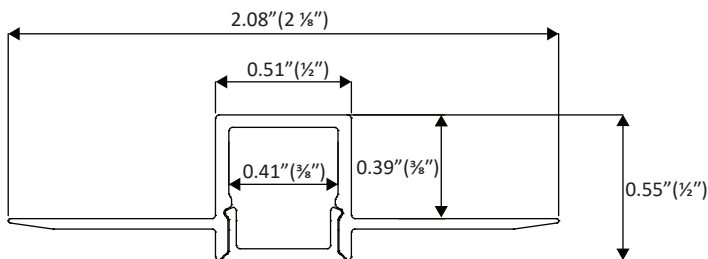
APPLICATIONS:

- Recessed linear lighting in drywall.
- Accent lighting between tiles for architectural designs.
- Corner and wall-mounted lighting solutions.
- Customizable lengths for tailored lighting projects.

TECHNICAL SPECIFICATIONS:

Aluminum Profile	6063-T5
Length	6.4 ft
Maximum LED Strip Width	0.39 inches
Diffuser	Polycarbonate Diffused Cover (sold separately)
Finish	Silver Anodized
Beam Angle	100°
Installation	Trimless Recessed

DIMENSIONS:



ACCESSORIES (SOLD SEPARATELY):

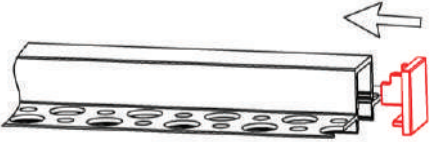
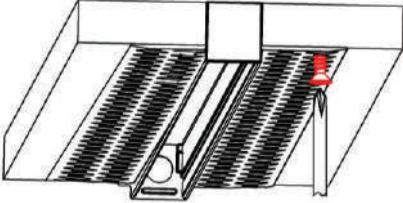
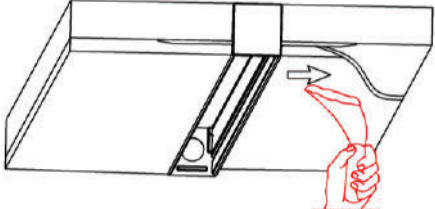
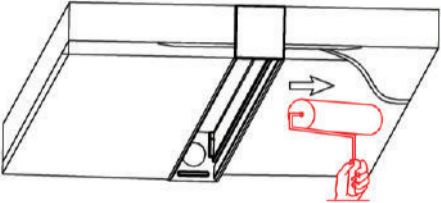
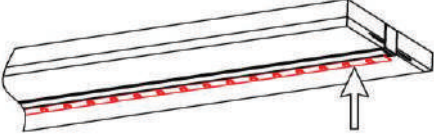



End Caps with and without hole
SKU: AE-068/069-CAP



Cover
SKU: AE-087/069/068-CVR-FRS-1M
AE-087/069/068-CVR-FRS-2M

STEPS OF INSTALLATION:

<p>1. Attach the end caps.</p> 	<p>2. Secure the profile to the drywall.</p> 	<p>3. Apply plaster over the fixture and drywall.</p> 
<p>4. Paint over the fixture and drywall.</p> 	<p>5. Affix the LED strip inside the profile.</p> 	<p>6. Snap on the diffused cover.</p> 
<p>7. Complete the installation.</p> 