

# ROUND SUSPENDED ALUMINUM CHANNEL

## DESCRIPTION:

This Round Suspended Aluminum Channel is designed for installing LED strip lights in various settings. Constructed from high-quality 6063-T5 aluminum, it efficiently dissipates heat to extend the lifespan of LED lights. A durable plastic cover ensures even light distribution. This product is ideal for both smart home and general indoor lighting applications.



## FEATURES:

- High-quality anodized aluminum body for superior durability and heat dissipation.
- Available covers: Black, Clear, Frosted and Milky (sold separately).
- UV and heat-resistant materials for long-lasting performance.
- Adjustable suspension system for customizable installation heights.
- Compatible with stainless steel mounting brackets and conductive suspension kits (sold separately).

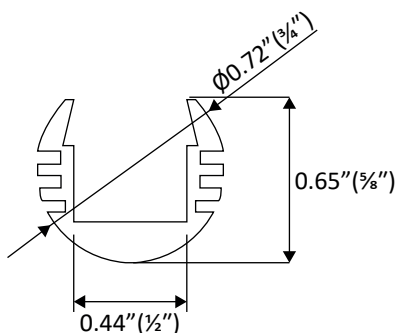
## APPLICATIONS:

- Retail stores and showrooms for accent lighting.
- Residential spaces such as kitchens, living rooms, and closets.
- Office interiors and commercial spaces for modern lighting designs.
- Hospitality settings including hotels and restaurants.
- Architectural lighting for creative installations.

## TECHNICAL SPECIFICATIONS:

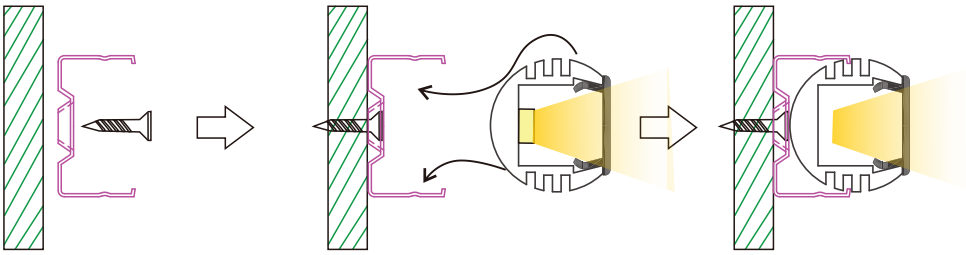
Material	Aluminum (6063-T5)
Operating Temperature	-22°F to 140°F
Flammability Rating	UL94-V2
UV Resistance	Excellent aging resistance
Heat Stability	Under 212°F
Lighting Transmittance	High for black, clear, milky and frosted covers

## DIMENSIONS:



### SERVICE ENVIRONMENT AND INSTALLATION:

Including a clip



### ORDERING GUIDE:

SKU: AE-1818-Suspended O-1M			
Product Type	Extrusion Type	Size	
AE-1818	1818 - Suspended-O	1M	(3.2ft.)
		2M	(6.4ft.)

### ACCESSORIES (SOLD SEPARATELY):

#### PC Covers for Universal Slim Aluminum Channel



Clear Frosted Milky Black

Ordering Guide - Covers		Example: AE-CVR-BK-UNI-FRS-1M			
Product Type	Accessories	Lens Type		Length	
AE (Aluminum Extrusion)	CVR-UNI (Universal Cover)	CLR	(Clear)	1M	(1 meter or 3.2ft.)
		FRS	(Frosted)	2M	(2 meter or 6.4ft.)
		MLK	(Milky)		
		BK	(Black)		

#### End Cap for Round Suspended Channel



SKU: AE-1818-CAP

### Round Suspended Channel Ceiling Fastener



SKU: AE-1818-SUSP-KIT

### 3.2 ft Steel Hanging Wire



SKU: AE-STEEL WIRE-C-1M

### Round Suspended Channel Bracket



SKU: AE-1818-ADJT-MNT