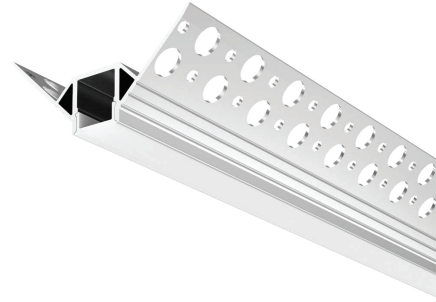


# OUTSIDE CORNER RECESSED ALUMINUM CHANNEL

## DESCRIPTION:

The Outside Corner Recessed Aluminum Channel is designed to be used with LED strip light of width 0.39 inches, providing a clean, smooth surface for Led strip lights to be adhered to. Made from high quality aluminum 6065-T5, it features a silver anodized surface for enhanced durability and appearance. This is ideal for indoor lighting solutions.



## FEATURES:

- Durable 6065-T5 aluminum construction with a silver anodized finish.
- Acts as an effective heat sink for LED strips.
- Trimless design for a clean, integrated look.
- Easy installation in drywall applications.

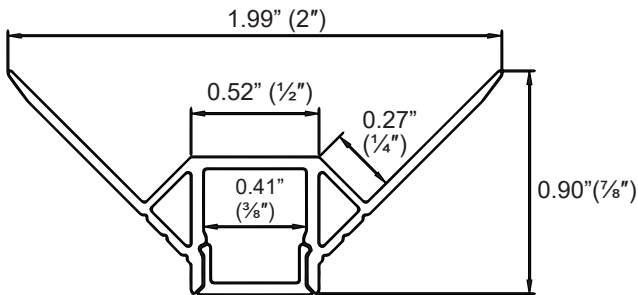
## APPLICATIONS:

- Kitchens
- Bathrooms
- Office spaces
- Accent or task lighting on outside corners

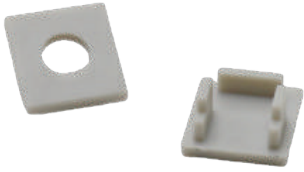
## TECHNICAL SPECIFICATIONS:

Material	Aluminum Profile 6065-T5
Diffuser	PC diffused cover (Sold separately)
Length	6.4 feet
Weight	Approximately 0.1089 lbs/ft
Maximum LED Strip Width	0.39 inches
Beam Angle	100°
Finish	Silver anodized
Installation Method	Trimless recessed

## DIMENSIONS:



### ACCESSORY (SOLD SEPARATELY):

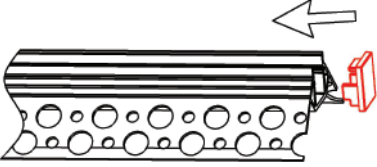
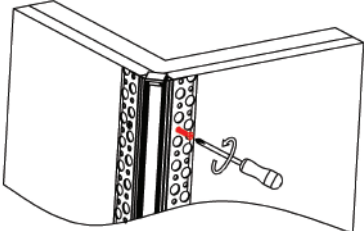
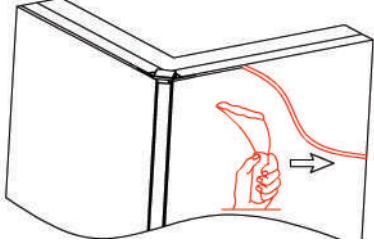
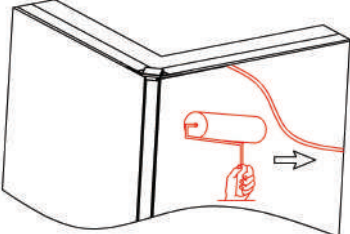
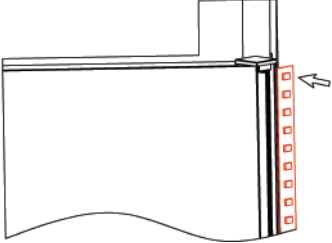
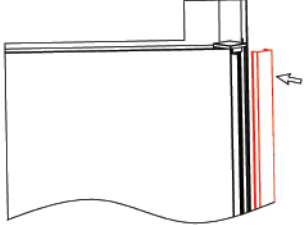


End Caps with and without hole  
SKU: AE-ALP070-CAP



Cover  
AE-ALP070-CVR-2M

### STEPS OF INSTALLATION:

<p>1. Attach the End Caps</p> 	<p>2. Mount the Profile</p> 	<p>3. Plaster Over the Fixture &amp; Drywall</p> 
<p>4. Paint Over the Fixture &amp; Drywall</p> 	<p>5. Adhere the LED Strip</p> 	<p>6. Snap on the Diffused Cover</p> 
<p>7. Complete the Installation</p> 