

ORA RGB+CCT GARDEN LIGHT - 50W

DISCRIPTION:

The RGB+CCT garden light is a powerful 50-watt LED fixture made from aluminum alloy that provides a sleek design. This 50W light offers vibrant color options (up to 16 million) and adjustable color temperatures ranging from warm white (2700K) to cool white (6500K). This waterproof light is perfect for landscape lighting, providing mood and functional illumination. Key features include smooth dimming, dynamic pattern modes, and a focused beam angle of 25 degrees.



FEATURES:



RGB+CCT
16 Millions of colors to choose



Remote control
Control distance 98.4ft



Color temperature
2700K~6500K



Smartphone app control
(2.4GHz gateway is needed)



Dim brightness /
Saturation



Support third party voice control
(2.4GHz gateway is needed)



2.4G RF wireless
transmission technology



Signal Transmission &
Modes synchronization

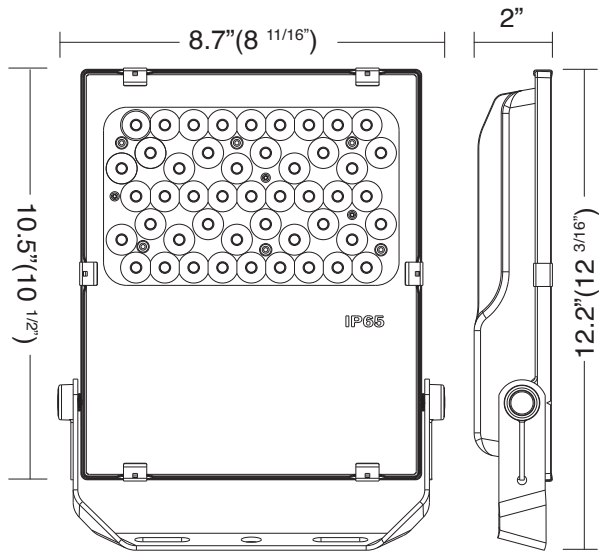


DMX512 LED
transmitter compatible

APPLICATIONS:

- Architectural Wall Washing
- LED Landscape Lighting
- LED Sign Lighting
- Building Facade Lighting
- Tree Uplighting
- Outdoor Accent Lights
- Garden Lighting

DIMENSIONS:

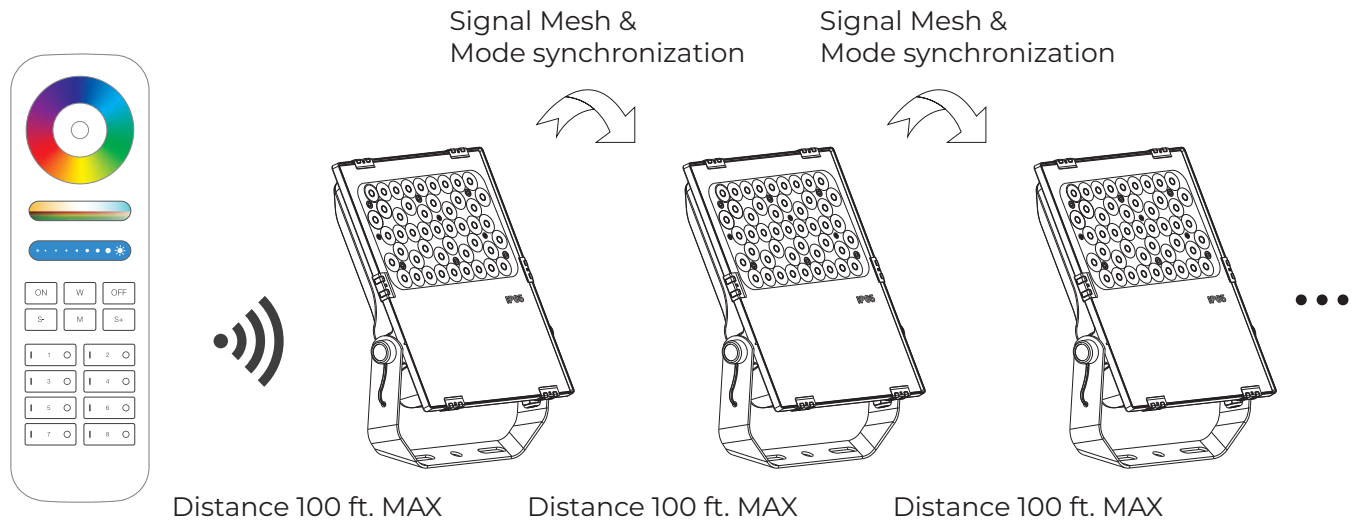


TECHNICAL SPECIFICATIONS:

Model No	MILI-GL-50W-RGBCB-OD-120V
Input Voltage	AC100~240V 50/60Hz
Power	50W
Working Temperature	-4°F~140°F
Color Temperature	2700K~ 6500K
Lumens	4000LM
Light Efficiency	80LM/W
CRI	>80
PF	>0.9
Lifespan	50000 hours
Beam Angle	25°
Illumination Distance	>49.2 ft.
IP Rate	IP65
RF	2.4GHz
Control Distance	98.4 FT
Material	Aluminium
Product Weight	5.56 lbs

SIGNAL MESH:

Any ORA product can repeat signals or relay signals from a WIFI Controller or an RF Remote within a 98.4 ft. distance to other ORA products. This signal transmission can happen multiple times, between lights on different zones, or lights being controlled by different remotes. All ORA products form a RF mesh to allow for easier and faster transmission of commands.

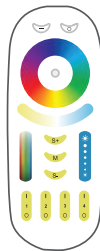


COMPATIBLE WITH THESE REMOTE CONTROLS:

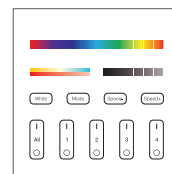
ORA RGB+CCT 8 Zone Remote
SKU: MILI-REM-RGBWW-8Z



ORA RGB+CCT 4 Zone Remote
SKU: MILI-REM-RGBWW



ORA 4 Zone RGB+CCT Panel Remote
SKU: MILI-REM-RGBWW-WALL-4Z



RGB+CCT 8 Zone Touch Panel Wall Remote
SKU: MILI-REM-RGBWW-WALL-8Z



DYNAMIC MODE SHEET:

Number	Dynamic Mode	Brightness / Saturation / Speed
1	Mardi gras	Adjustable
2	Automatic color change	
3	Sam	
4	Gemstone	
5	Twilight	
6	American	
7	Fat tuesday	
8	Party	
9	Slow color splash	

ATTENTION:

- When installing the light fixtures, please switch off the power.
- Check whether the input voltage supply is in accordance with the lighting fixture required voltage.
- Do not open up this product. Disassembling this product will void the warranty.
- For use in temperatures within -4-140°F; do not use this product in direct sunlight, or in areas where pressurized water will be sprayed on the product.
- All control distances are max. In cases where other RF signals are within the same range, interference may occur.
- Do not use the lighting fixtures in high vibration areas.
- Do not operate this fixture unless it is open to the environment. Not for use in enclosures or in contact with Insulation.
- NON-DIMMABLE. NOT FOR USE WITH ANY WALL DIMMER.



Made in China