

CCT ROTARY DIMMER SWITCH

DESCRIPTION:

The CCT Rotary Dimmer Switch offers convenient control over lighting. It uses 2.4GHz wireless technology for reliable, long-range communication, and its compact design and battery power make it easy to install and use. The intuitive rotating switch allows for precise adjustment of brightness and color temperature, compatible with LED strip controllers and smart bulbs. With a range of up to 98 feet, this can easily control lighting from anywhere in the room.



FEATURES:

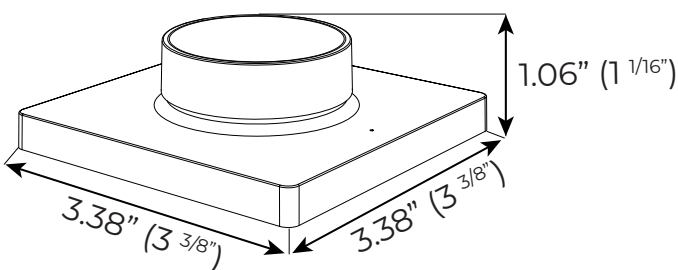
- Compatible with our Wi-Fi Gateway (sold separately) for smartphone control
- User-friendly rotary control for easy brightness and color temperature adjustment
- Use with ORA brand
- Long-range wireless control up to 98.4 ft (30 m)
- Finish Options: Black or White
- compact and convenient power supply
- Warranty: 1 year



APPLICATIONS:

- Residential and commercial lighting systems
- Smart home automation

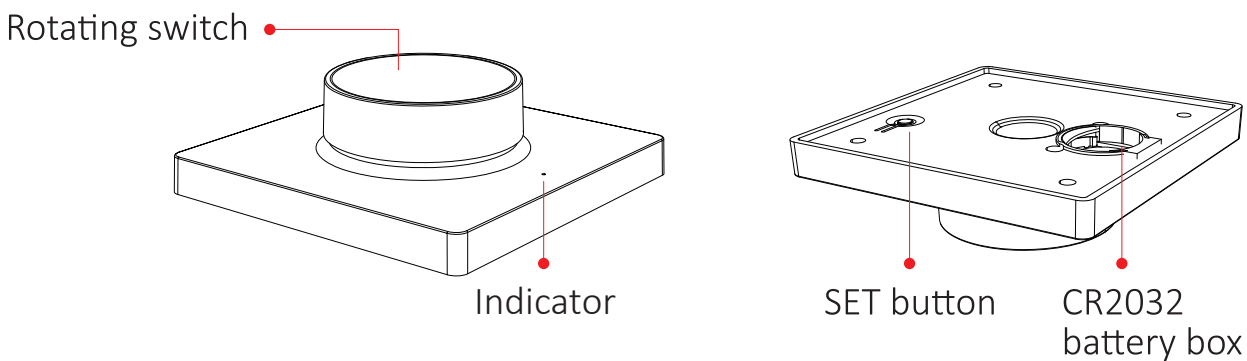
DIMENSIONS:



TECHNICAL SPECIFICATIONS:

Model No.	MILI-REM-WALL-ROT-BLK MILI-REM-WALL-ROT-WHT
Working Voltage	3V (CR2032 battery)
Standby Power Consumption	<6uA
Transmitting Power	6dBm
RF	2.4GHz
Transmission Frequency	2400-2483.5MHz
Modulation Method	GFSK
Working Temperature	14°F to 104°F
Control Distance	98.4 ft

PRODUCTS KEY DIAGRAM:



ROTATING SWITCH:

Short press: Toggle the light on or off.

Rotating: Adjust the brightness level.

Long press (light on): Enter CCT (color temperature) dimming mode, until indicator is blinking. Rotate to adjust color temperature.

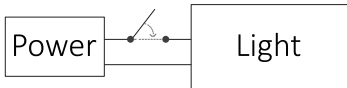
(**Note:** The device will exit CCT mode if left idle for 3 seconds.)

Long press (light off): Activate night light mode.

LINKING CODE / UNLINKING CODE INSTRUCTIONS

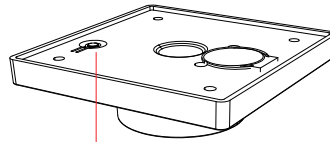
Remark: The light can be working after linking with the remote.

Linking Code Instructions



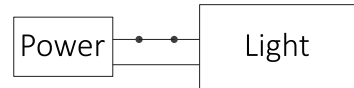
1

Switch off light, after 10 seconds then switch on again.



SET button **2**

Short press " SET " button 3 times within 3 seconds when light on.



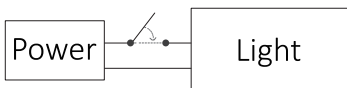
3

Lights blink 3 times slowly, means linking is done successfully.



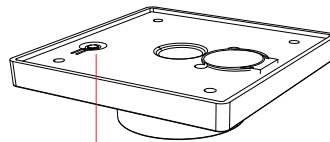
Linking failed if light is not blinking slowly, Please follow above steps again.
(Note: Light that have linked can't link again)

Unlinking Code Instructions



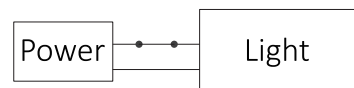
1

Switch off light, after 10 seconds then switch on again.



SET button **2**

Short press " SET " button 5 times within 3 seconds when light on.



3

Lights blink 10 times quickly, means unlinking is done successfully.

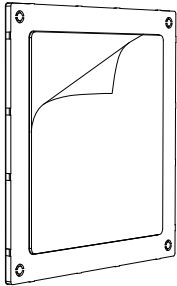


Unlinking failed if light is not blinking quickly, Please follow above steps again.
(Note: Light haven't linked that don't need to unlink)

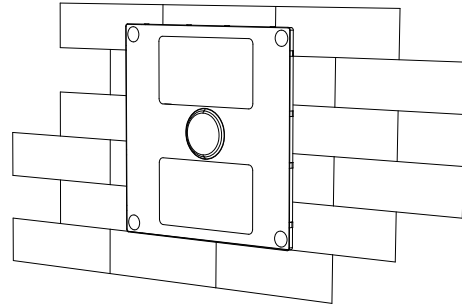
Note: For TRI-C1 triac dimmer, long press "SET" button, the indicator is blinking quickly. device enter into night light mode, for more information, please review instruction of TRI-C1.

INSTALLATION:

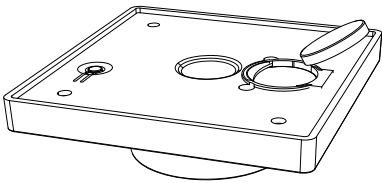
1. Tear out the back tape.



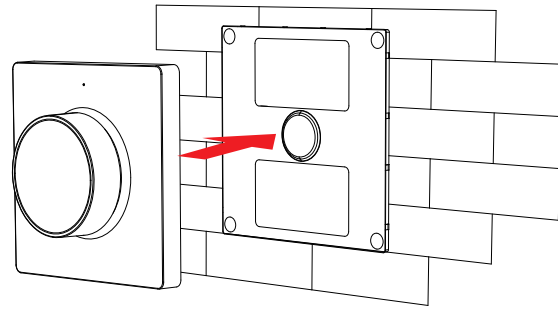
2. Stick the holder on the position where you want.



3. Install CR2032 battery.



4. Put the rotating switch on the front of holder.



ATTENTION:

1. Children should use this product under adult supervision. Keep button cells out of reach to prevent accidental ingestion.
2. This 2.4GHz remote control is a precision electronic device. Avoid using it in humid, high-temperature, dusty, or high-voltage environments. Store it indoors in a dry, static-free location.
3. Do not use the remote control near large metal surfaces or in areas with strong electromagnetic waves, as this can significantly reduce the control range.