

WIDE SQUARE HEAT SINK ALUMINUM CHANNEL

DESCRIPTION:

Our wide square heat sink aluminum channel is designed to optimize the performance of LED strip lights by efficiently dissipating heat, thereby extending the life of your LED lighting. The channel is compatible with LED strips up to 0.66" in width and includes a durable plastic cover for even light distribution, making it ideal for various indoor and architectural lighting applications.



FEATURES:

- LED Strip Compatibility: Suitable for LED strips up to 0.66" wide.
- Material: Constructed from AL6063 aluminum for excellent heat conduction.
- Cover(Sold Separately): PC/PMMA plastic covers for smooth, Uniform light distribution.
- Surface Finish: Anodized for enhanced durability and corrosion resistance.
- Length: Standard 6.4ft for easy installation across different projects.



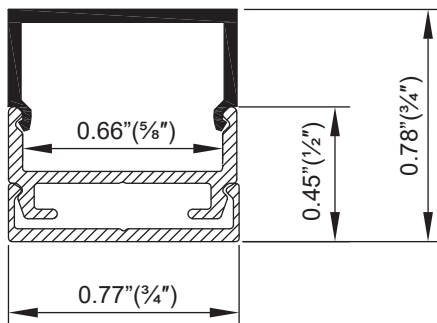
APPLICATIONS:

- Architectural lighting
- Cabinet lighting
- Decorative lighting
- Smart home lighting
- Display and shelf lighting
- Closet lighting

TECHNICAL SPECIFICATIONS:

| | |
|-------------------------------|---|
| Material | Durable AL6063 aluminum |
| Cover | PC or PMMA plastic for even light distribution(sold separately) |
| Surface Finish | Anodized |
| LED Strip Width Compatibility | 0.66 in. |
| Length | 6.4ft. |

DIMENSIONS:



ACCESSORIES (SOLD SEPARATELY):

Wide Square Heat Sink Channel End Cap
SKU: AE-011-CAP



Wide Heat Sink Channel Cover (Frosted)
SKU: AE-011-CVR-FRS-2M

INSTALLATION: