

WIDE RECESSED ALUMINUM CHANNEL

DESCRIPTION:

The Wide Recessed Aluminum Channel is designed to be used with LED strip lights of width 0.79 inches, providing a clean, smooth surface for LED strip lights to be adhered to. Its PC Cover provides even light distribution. Made from high quality Aluminum 6065-T5. It features a silver anodized surface for enhanced durability and appearance.



FEATURES:

- Durable Construction: Made from high-grade 6065-T5 aluminum for long-lasting performance.
- Diffused Lighting: Equipped with a polycarbonate (PC) cover for smooth, glare-free illumination.
- Trimless Design: Allows for seamless, recessed installation in ceilings and walls.
- Wide LED Compatibility: Supports LED strips up to 0.79 inches wide.
- Custom Lengths: Available in 3.2ft and 6.4ft to suit different project requirements.

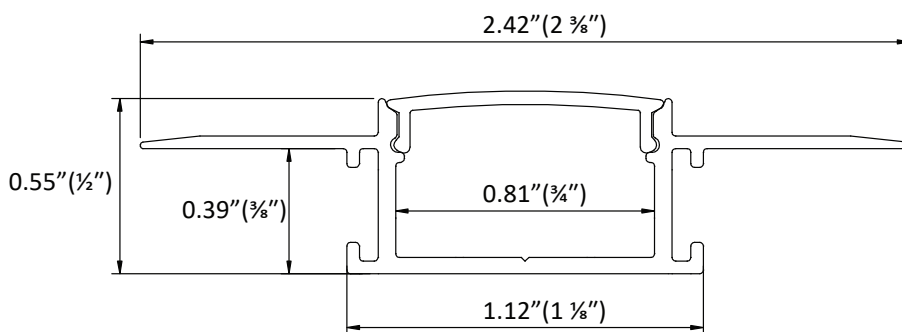
APPLICATIONS:

- Furniture lighting (kitchen/office)
- Ceiling and interior lighting
- Retail shelf LED lighting
- Independent LED lamps
- Exhibition booth lighting

TECHNICAL SPECIFICATIONS:

Material	Aluminum Profile 6065-T5
Finish	Silver anodized
Cover	PC diffused cover (Sold separately)
Length	3.2ft , 6.4ft
Weight	0.238 lb/ft
Max LED Strip Width	0.79 inches
Beam Angle	100°
Installation	Trimless recessed

DIMENSIONS:



ORDERING GUIDE:

SKU: AE-ALP071-Recessed-Uni-Wide-1M			
Model	Surface	Type	Size
AE - ALP071 (Aluminum Extrusion)	Recessed	Uni-Wide	1M 2M

ACCESSORIES (SOLD SEPARATELY):



End Caps
SKU: AE-ALP071-CAP



180° Connector(Metal)
SKU: AE-CONN-180°



90° Connector(Metal)
SKU: AE-CONN-90°



90° Vertical Connector (Metal)
SKU: AE-CONN-V-90°



Cover
SKU: AE-2310-CVR-FRS-1M
AE-2310-CVR-FRS-2M

STEPS OF INSTALLATION:

<p>1. Attach the end caps to the profile.</p>	<p>2. Secure the profile onto the drywall.</p>	<p>3. Plaster over the fixture and drywall.</p>
<p>4. Paint the surface.</p>	<p>5. Affix the LED strip inside the profile.</p>	<p>6. Snap the diffused cover into place.</p>
<p>7. Installation completed</p>		