

UP/DOWN SUSPENDED LINEAR LED FIXTURE

DESCRIPTION:

This up/down suspended linear LED fixture is constructed from Aluminum, which acts as a heat sink to improve its life span and elevate the surroundings' aesthetics. This powder-coated white finish light allows smooth light distribution with 55% downlight and 45% uplight. This fixture is available in 4ft and 8ft options. It features 0-10v dimming and a voltage from 100-277v. This light is ideal for suspended installations in schools, offices, supermarkets, hospitals, and warehouses.



FEATURES:

- Precision light guide made of PMMA material delivers a balanced 55% downlight and 45% uplight distribution.
- Extruded aluminum housing ensures durability and acts as a heat sink.
- High-efficiency internal Class 2 LED driver with 0-10V dimming, compatible with Lutron® Diva-DVTV and Leviton® IP-710-DL.
- Optional emergency LED driver provides a minimum of 90 minutes of backup illumination.
- Damp-rated design suitable for operating temperatures from 32°F–122°F.
- Adjustable CCT options (3000K, 3500K, 4000K) or fixed CCT (3000K, 3500K, 4000K, 5000K).
- Pendant-mounted for individual or continuous runs.
Minimum 80 or 90 CRI with excellent color consistency.



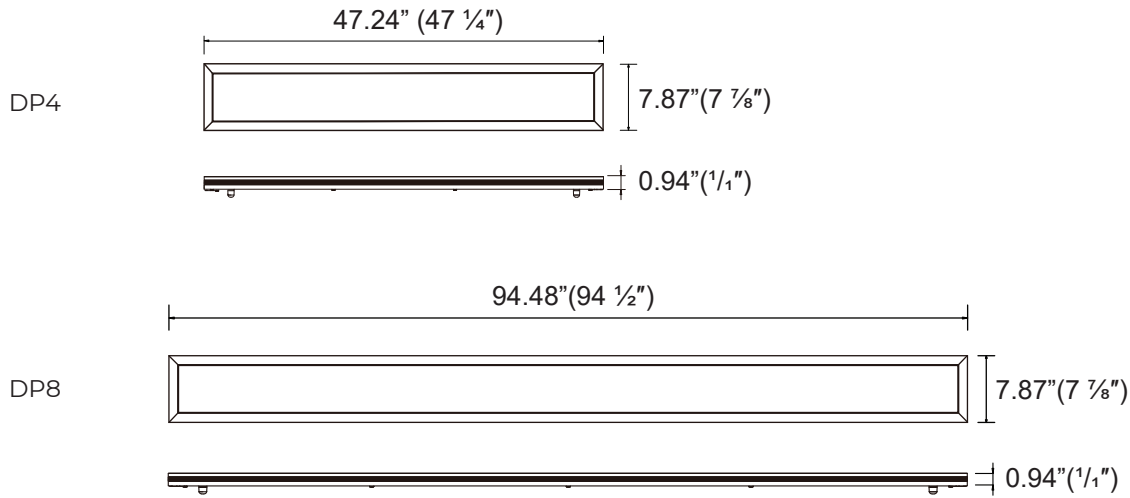
APPLICATIONS:

- Office Spaces
- Retail Stores
- Educational Facilities
- Hospitals and Medical Facilities
- Conference Rooms and Meeting Spaces
- Lobbies and Reception Areas

TECHNICAL SPECIFICATIONS:

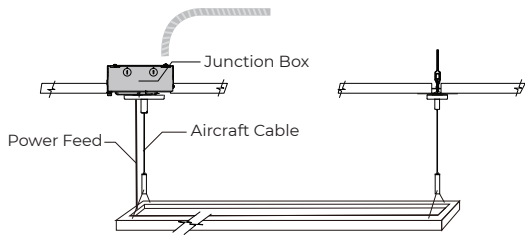
Length	4FT.	8FT.
Input Voltage	100-277V or 110-347V	
Wattage	40W	80W
Color Temperature	3500K & CCT	
Lumens	>4600 LM	>9,200 LM
Efficacy	>115 LM/W , > 1150LM/FT	
CRI	min 80 or 90	
Housing	Extruded aluminum, powder-coated white	
Optics	PMMA light guide (55% down, 45% up)	
Driver	Internal Class 2, replaceable	
Dimming	0-10V (100% to 10%)	
THD	<20%	
Power Factor	>0.9	
Emergency Backup	Optional, 90 minutes runtime	
Rating	Damp rated in operating ambient temperatures of 32°F-122°F	
Mounting	Pendant, individual or continuous runs	
Warranty	5 Year	

DIMENSION:

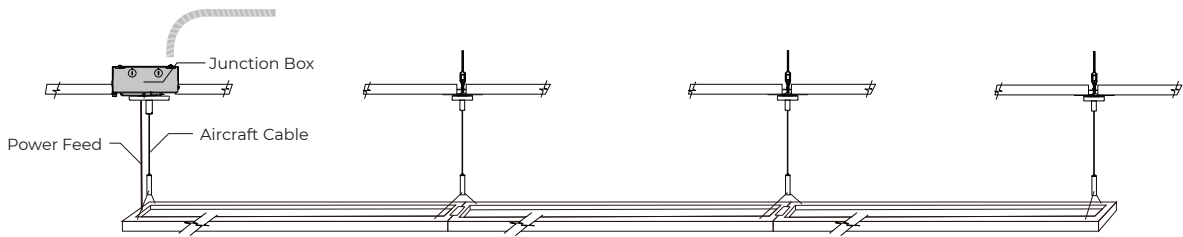


MOUNTING:

Individual



Continuous Run

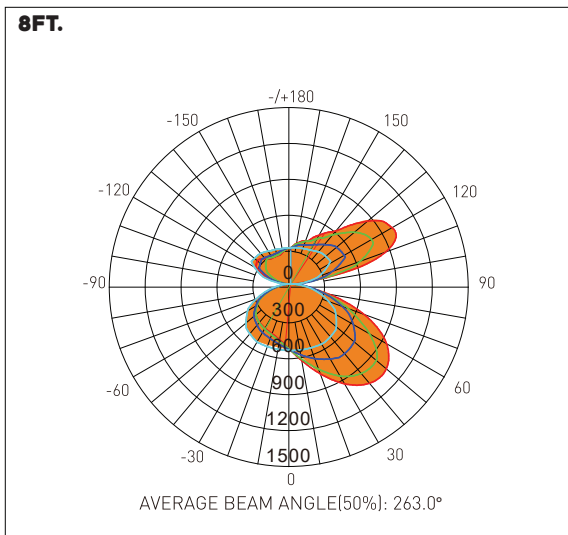
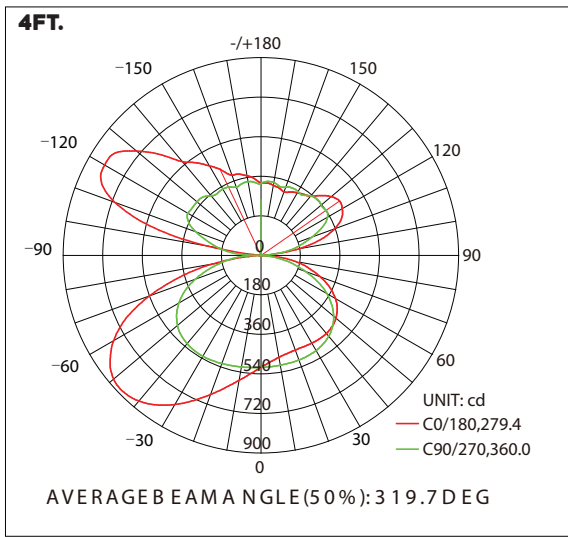


DP4: Connect 9pcs together in 120V AC and 20pcs in 277V AC
 DP8: Connect 4pcs together in 120V AC and 10pcs in 277V AC

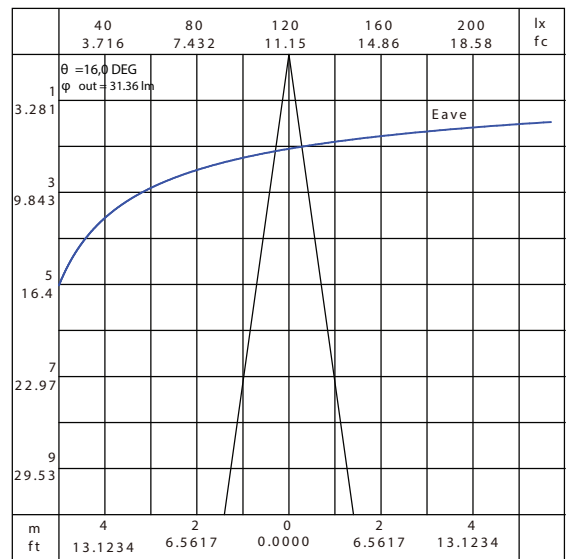
PHOTOMETRY:

Photometric testing for the fixture was conducted by an accredited laboratory in compliance with IESNA LM-79-08 standards. This standard evaluates the entire luminaire as the light source, achieving a fixture efficiency of 100%. Results may vary based on the specific order.

LUMINOUS INTENSITY DISTRIBUTION DIAGRAM



AVERAGE ILLUMINANCE CURVE



Note: The curves represent the illuminated area and the average illumination at various distances from the luminaire.

ORDERING GUIDE:

Example: NUR-DP4-DM-CCT

Brand	Length	Dimmable	Color Temperature
NUR	DP4	DM	3500K , CCT
	DP8		CCT