

UNIVERSAL DEEP ALUMINUM CHANNEL

DESCRIPTION:

The Universal Deep Aluminum Channel is designed for versatile strip lighting solutions, ideal for housing both single-color and RGB LED strip lights up to 0.39 inches wide. Its sturdy aluminum construction ensures durability, while the sleek silver anodized finish provides a modern aesthetic. Suitable for both indoor and outdoor environments, it offers excellent heat dissipation and protection for the LED strips, enhancing longevity and performance.



FEATURES:

- Compatible with all LED strip lights up to 0.39 inches wide.
- Made from high-quality 1060 aluminum for superior heat dissipation.
- Anodized silver surface for enhanced durability and corrosion resistance.
- Ideal for creating dot-free lighting when used with LED strips at a density of 36.58 LEDs per foot.

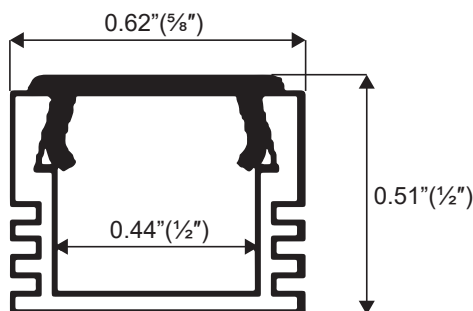
APPLICATIONS:

- Interior lighting design (under cabinets, accent lighting)
- Furniture lighting (kitchen cabinets, closets)
- Stairs and step lighting
- Exhibitions and display cases
- Advertisement and signage
- Hotels and commercial workstations

TECHNICAL SPECIFICATIONS:

Material	Aluminum 1060 and Polycarbonate (PC)
Surface Finish	Silver Anodized
Length	3.2ft , 6.4ft
Color	Silver
PC Cover Options	Black, Clear, Frosted, Milky (Sold Separately)
Compatible LED Strip Width	Up to 0.39 inches
Recommended LED Density	36.58 LEDs per foot for optimal light diffusion
IP Rating	IP20

DIMENSIONS:



ORDERING GUIDE:

SKU: AE-1612-Uni-1M		
Model	Type	Size
AE - 1612 (Aluminum Extrusion)	Uni (Universal)	1M 2M

ACCESSORIES:


Plastic End Caps for Universal Deep Aluminum Channel
SKU: AE-1612-CAP



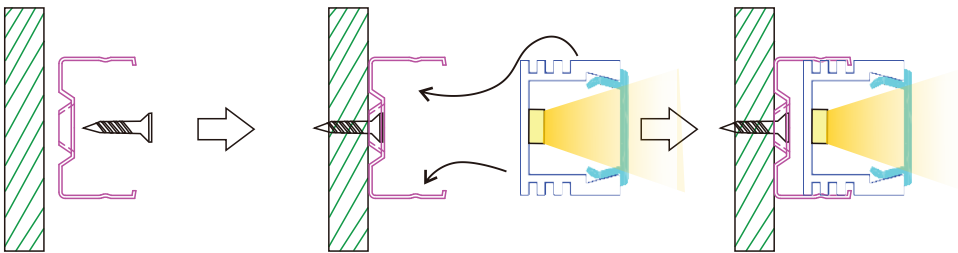
Bracket for Universal Deep Aluminum Channel
SKU: AE-1612-MNT



Universal Channel Covers
SKUs:
AE-CVR-BK-UNI-FRS-1M
AE-CVR-UNI-CLR-1M
AE-CVR-UNI-FRS-1M
AE-CVR-UNI-MLK-1M
AE-CVR-UNI-CLR-2M
AE-CVR-UNI-FRS-2M
AE-CVR-UNI-MLK-2M

SERVICE ENVIRONMENT AND INSTALLATION:

1. Equipped with a clip



2. Includes double-sided tape

