

UP DOWN SCONCE GU-10

DESCRIPTION:

The Up Down Sconce GU-10 features a cap-shaped upper cover and a plug-shaped lower cover, combining durability and style in a dual-direction wall light. This fixture is waterproof and constructed robustly, compatible with GU10 sockets. It is suitable for garages, yards, porches, patios, homes, and various indoor and outdoor applications.



FEATURES:

- Dual-beam lighting for enhanced visual appeal
- Weather-resistant design with IP65 rating for outdoor durability
- Efficient GU10 socket compatible with various LED bulbs
- Robust construction with a sleek, contemporary finish
- 2-year warranty for reliable performance

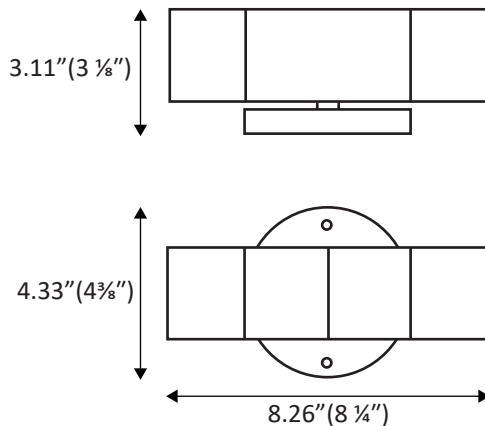
APPLICATIONS:

- Homes
- Buildings
- Patios and decks
- Entrances and pathways
- Outdoor commercial spaces

TECHNICAL SPECIFICATIONS:

Voltage	240V, 50Hz
Power Consumption	Max 2 x 35W
Working Temperature	-4°F to 104°F
IP Rating	IP65 (weather-resistant)
Electrical Classification	Class I
Lamp Type	GU10 socket
Warranty	2 years

DIMENSIONS:



IMPORTANT INFORMATION:

- Luminaires must be installed by a qualified electrician in compliance with current wiring regulations.
- The light will become extremely hot during use.
- Do not mount in a location where the fixture can be easily reached by children or pets.
- Never touch the light or replace a bulb while the unit is on. Always allow the fixture and bulb to cool to room temperature before performing any maintenance.

ORDERING GUIDE:

SKU: NUR-UD-BL-G10			
Brand	Up Down	Color	Lamp Type
NUR	UD	Black White	G10

BULB COMPATIBLE WITH THIS FIXTURE (SOLD SEPARATELY):**GU10 GLASS LED BULB**

- SKU: GU10-G-5W-COB-36D-2700K-DIM
GU10-G-5W-COB-36D-4000K-DIM
GU10-G-5W-COB-36D-6000K-DIM
- Input Voltage: 90-265V AC
- Wattage: 5W
- Color Temperature: 2700K, 4000K, 6000K
- Lumen Output: 368lm, 392lm, 411lm
- Beam Angle: 36°

**RGB+CCT GU10 SMART BULB**

- SKU: MILI-GU10-4W-RGBCB
- Input Voltage: 100-240Vac
- Wattage: 4W
- Color Temperature: 2700-6500K
- Lumen Output: 250 - 280lm
- Beam Angle: 25°

