

# STAINLESS STEEL TRANSFORMER FOR LOW VOLTAGE LANDSCAPE LIGHTING 75W/150W/300W

## DESCRIPTION:

Our Stainless Steel Transformer, with its durable sheet and tight locks, prevents water from entering and withstands severe weather conditions. This compact and easy-to-install transformer is designed for low-voltage systems and provides reliable output power being available in three different wattage levels. It is ideal for residential and commercial outdoor lighting setups.



**75W**

## FEATURES:

### 75W

- Multi-tap Output (12V-15V AC)
- Built-in Timer
- Automatic Circuit Breaker
- Durable & Weatherproof
- Photocell port available to enable timing function
- ETL Listed
- Compact, easy-to-install design

### 150W AND 300W

- Multi-tap Output (12V, 13V, 14V, 15V AC)
- Plug-in Timer Slot (mechanical timer sold separately)
- Automatic Circuit Breaker
- Durable & Weatherproof
- For 150W sensing and timing functions are available
- ETL Listed



**150W/300W**

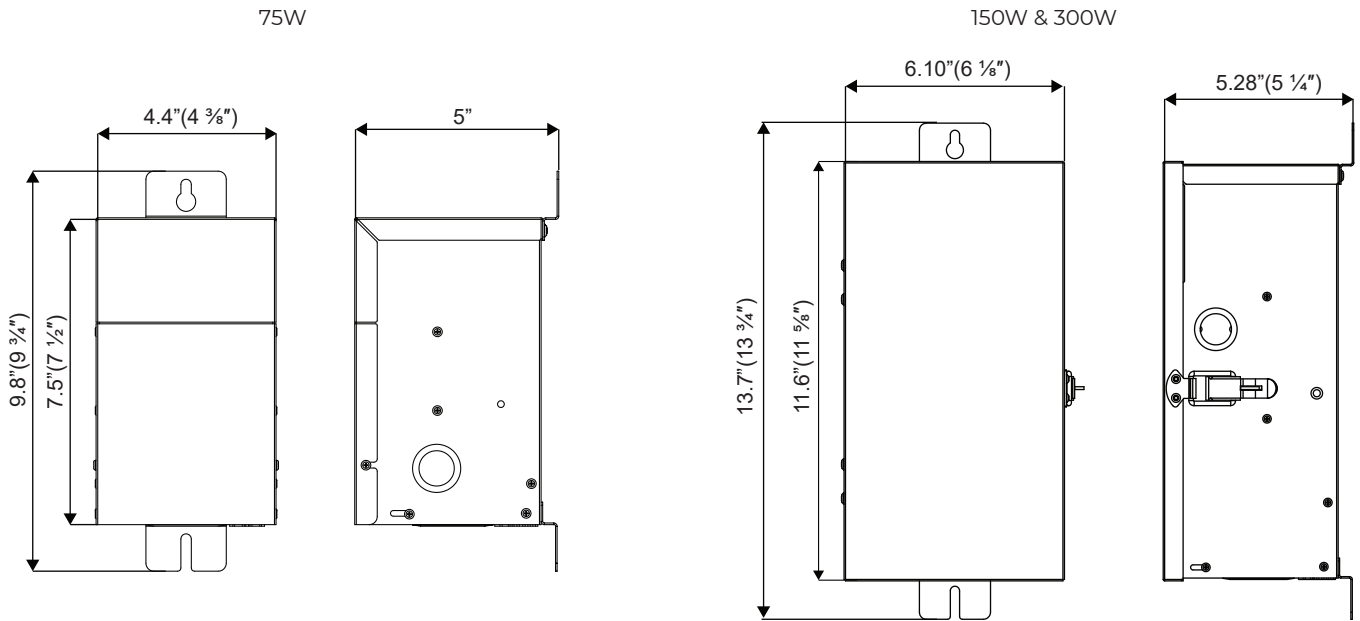
## APPLICATIONS:

- Residential landscape lighting
- Commercial outdoor lighting installations
- Pathway, garden, and accent lighting
- Low-voltage outdoor lighting systems

## TECHNICAL SPECIFICATIONS:

Wattage	75W	150W	300W
Feature	Built-in Timer	Plug-in Timer Slot	
COM Port	1		
Operating Voltage	120V AC Input		
Voltage Output	12V, 15V AC	12V, 13V, 14V, 15V AC	
Transformer Type	Toroidal		
Finish	304 Stainless Steel		
Color	Silver		
Dimensions	4.4" x 9.8" x 5"	6.10" x 13.7" x 5.28"	

**DIMENSIONS:**



**ORDERING GUIDE:**

SKU	Model	PN	POWER	WATTAGE
NUR-LT301-PWR-75W	NUR	LT301	PWR	75W
NUR-LT302-PWR-150W	NUR	LT302	PWR	150W
NUR-LT303-PWR-300W	NUR	LT303	PWR	300W

**PLUG-IN MECHANICAL TIMER (SOLD SEPARATELY):**

- 24 Hour Plug-in Mechanical Timer
- SKU: NUR-LT-LT407M
- Compatible with NUR-LT transformers.
- Mechanical dial or switch for easy programming.
- 24-hour timing capability for precise scheduling.
- Plug-in design for convenient installation.
- No batteries or external power source required.

