

RGB+CCT LED SMART OUTDOOR WALL WASHER LIGHT

Description:

The RGB+CCT LED Smart Outdoor Wall Washer Light is compatible with ORA SMART GATEWAY and ORA Wi-Fi GATEWAY. It features RGB color changing modes along with CCT settings, making it ideal for outdoor applications. This light is suitable for water resistance and perfect for illuminating buildings, bridges, and landscapes.



Features:

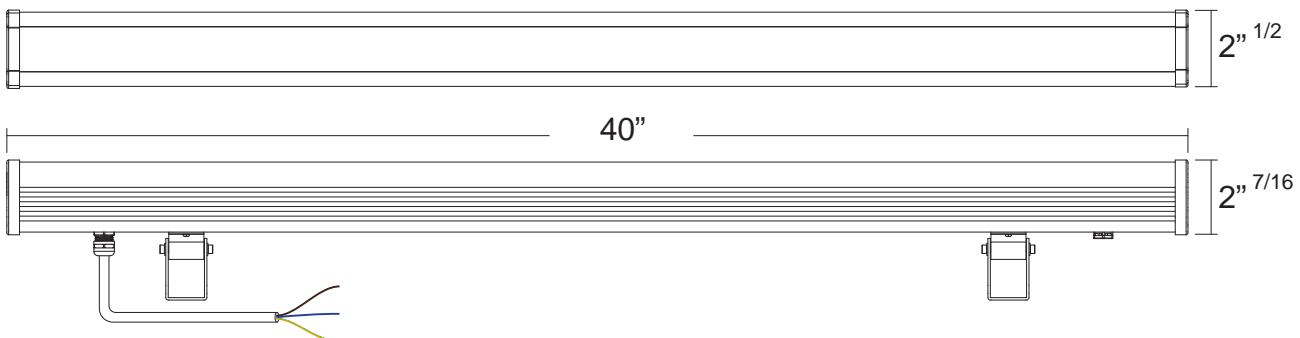
- 16 Million Color Combinations
- Wireless range of up to 98.4 ft without obstruction
- Adjustable color temperature from 2700K to 6500K
- Compatible with ORA SMART GATEWAY for smartphone control
- Smooth Dimming and Color Blending capabilities
- Compatible with third-party voice control (requires ORA Wi-Fi Gateway)
- Waterproof rating of IP66 for high pressure water jets
- Signal mesh and mode synchronization.
- 15x60 degree beam angle.



Applications:

- Building
- Bridges
- Showcases
- Landscapes

Dimensions:

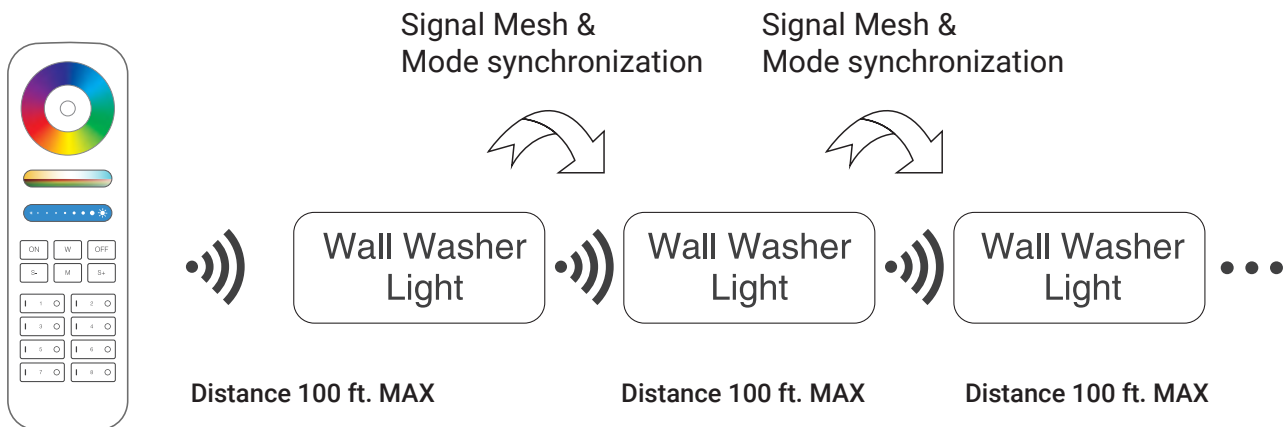


Technical Specifications:

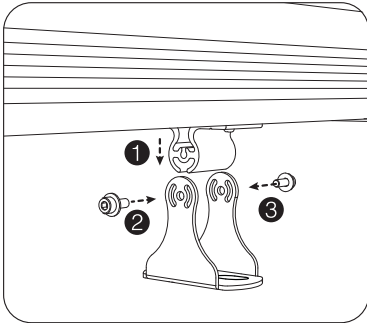
Model No.	MILI-WW-24W-RGBCB
Input Voltage	AC100~240V 50/60Hz
Power	24W
Working Temperature	-4°F~113°F
Color Temperature	2700K~ 6500K
Lumens	1800LM
CRI	>80
PF	0.9
Beam Angle	15*60°
Illumination Distance	>49.2 ft.
IP Rate	IP66
RF	2.4GHz
Product Weight	5.20 lbs
Control Distance	98.4 ft

Signal Mesh:

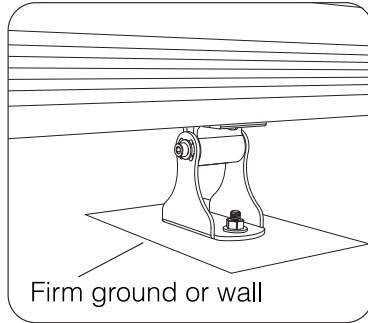
Any ORA products can repeat or relay 2.4GHz RF signals (Radio Frequency) from any ORA Wi-Fi Gateway, ORA remote, or ORA LED Controller within a 98.4 ft distance from each other. Signal transmission can occur multiple times, between multiple products in different zones, and controlled by different products. This network of ORA products forms an RF mesh to allow for easier and faster transmission of commands.



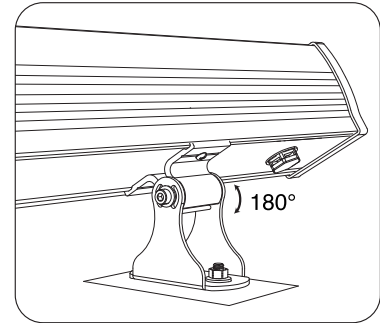
Installation:



1. Fix the lamp body on the base, and rotate the screws.

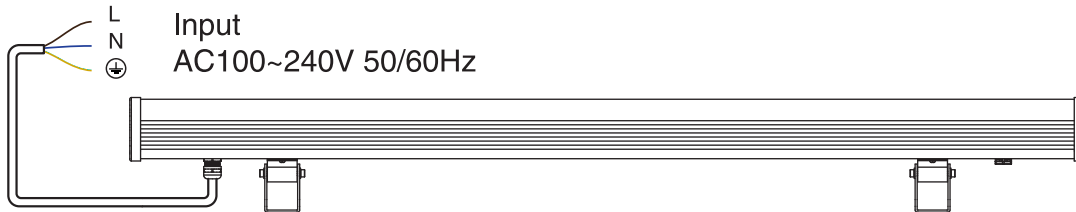


2. Select the installation place, and fix the base.



3. Adjust the illuminating angle, and tighten the screws.

Connection Diagram:

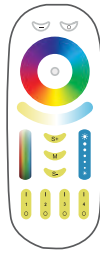


Compatible with these remote controls (Purchased Separately)

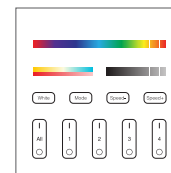
ORA RGB+CCT 8 Zone Remote
SKU: MILI-REM-RGBWW-8Z



ORA RGB+CCT 4 Zone Remote
SKU: MILI-REM-RGBWW



ORA 4 Zone RGB+CCT Panel Remote
SKU: MILI-REM-RGBWW-WALL-4Z



RGB+CCT 8 Zone Touch Panel Wall Remote

SKU: MILI-REM-RGBWW-WALL-8Z



ATTENTION:

1. When installing, Please switch off the power, and switch on power after assuring the correct wiring.
2. The light is rated waterproof IP66 for powerful waterjets, but it is not rated to work submerged underwater.
3. The working temperature is -4°F-113°F, please do not install the light in an area over 113°F to assure the lifespan.
4. NON-DIMMABLE. NOT FOR USE WITH ANY WALL DIMMER.



Made in China