

# RGB LED MODULE 20 PCS 8 FT STRING 12V DC

## DESCRIPTION:

The RGB LED Module features SMD5050 LEDs with high brightness and color-changing capabilities, providing continuous lighting with an elegant appearance. This 12V module is made of ABS material and offers high energy efficiency with improved heat dissipation. The waterproof module is easy to use and is ideal for indoor and outdoor lighting applications, including signage, automotive, and decorative lighting. It delivers reliable performance and is certified by ETL, CE, and RoHS.



## FEATURES:

- Light Source: High-brightness SMD5050 LEDs ensure uniform light output.
- Durability: The robust ABS housing efficiently dissipates heat.
- Power Supply: energy-efficient design, Operates on DC12V.
- Safety & Compliance: Certified to international standards (ETL, CE, RoHS).
- Versatility: Ideal for various indoor and outdoor applications.
- Warranty: Includes a 5-year warranty
- Customization: ODM/OEM services available for tailored solutions.



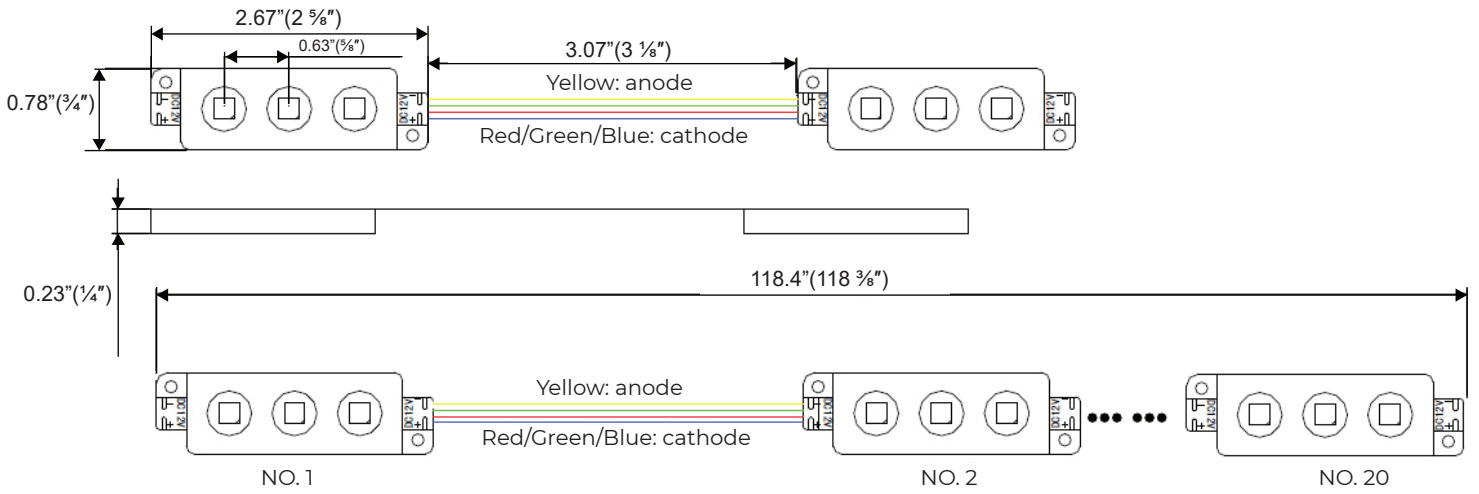
## APPLICATIONS:

- Display Case Lighting
- Cabinet Lighting
- Signage and Channel Letters
- Store Window Lighting
- Automotive Lighting
- Advertisement Boards
- Indoor Decoration
- Partial Lighting

## TECHNICAL SPECIFICATIONS:

Wattage	0.72W per module
Input Voltage	12V DC
LED Type	SMD5050
LED Count	3 LEDs per module
Color	RGB
Material	ABS and Epoxy Resin
Luminous Flux	15-20 lm per module
Beam Angle	120°
CRI	≥75
Modules per String	20 modules per 8 ft string
Driver Mode	Constant Voltage
Operating Temperature	-4°F to 122°F
Storage Temperature:	-13°F to 149°F
IP Rating	IP65
Dimensions	2.67 x 0.78 x 0.23 inches
Lifespan	50,000 hours
Warranty	5 years

### DIMENSIONS:



### CONNECTION:

