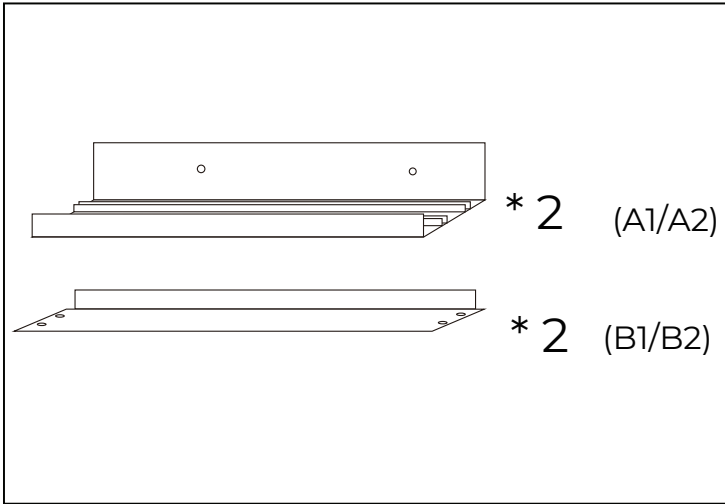
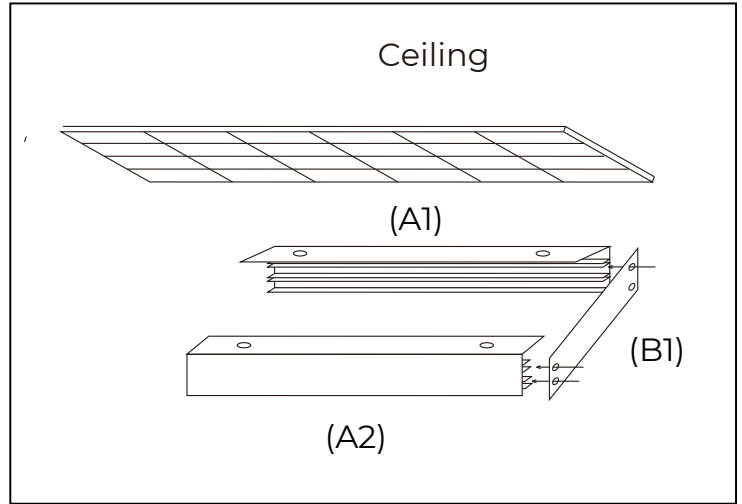


INSTALLATION GUIDE FOR SURFACE AND RECESSED MOUNT FRAME KIT FOR PANEL LIGHT

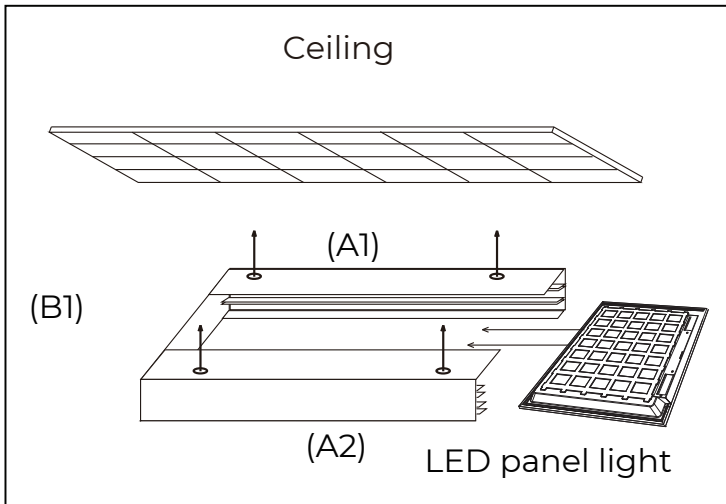
SURFACE MOUNT INSTALLATION INSTRUCTIONS:



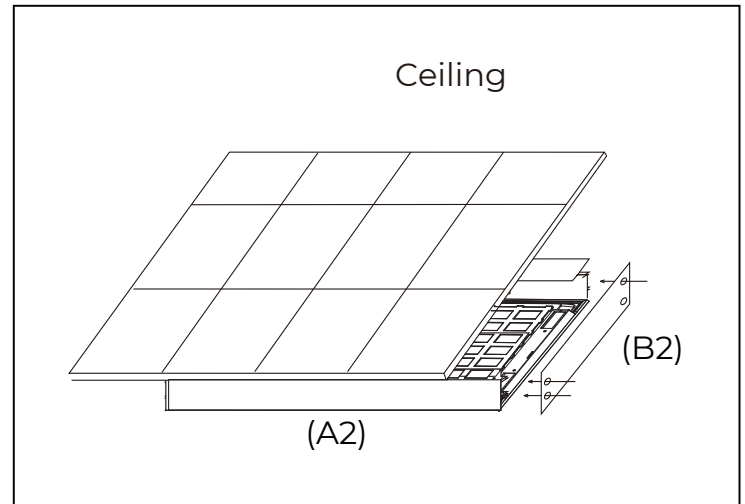
1. Parts included: A1, A2, B1, B2.



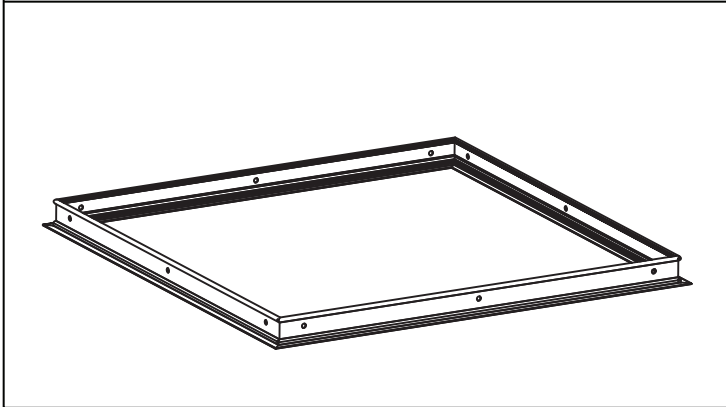
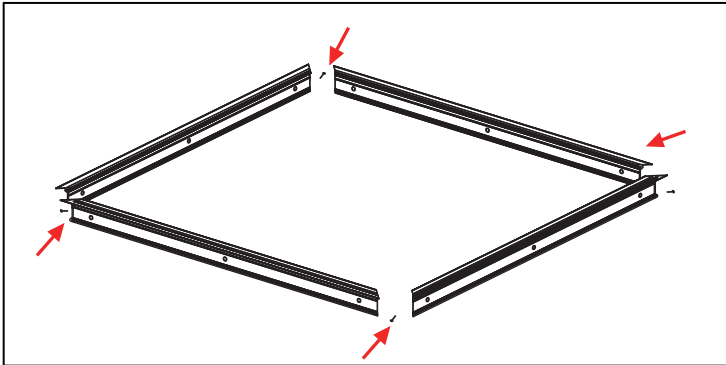
2. Install A1, A2, and B1 first, as shown in the diagram.



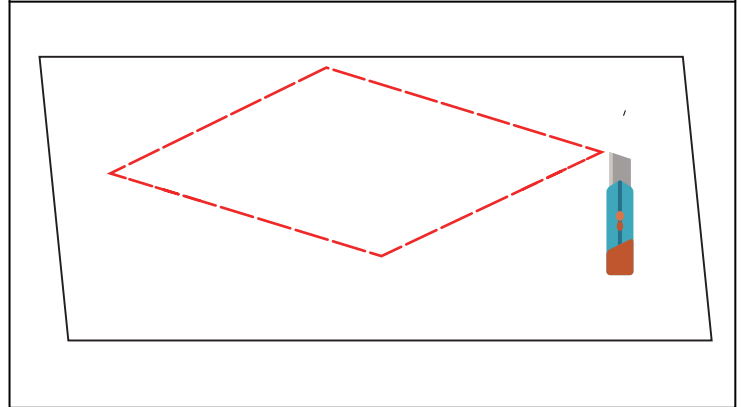
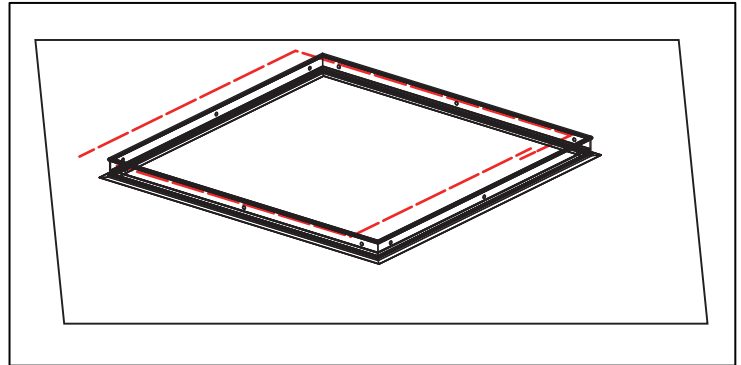
3. Secure A1 and A2 to the ceiling or roof, then insert the Back-lit panel light (start by inserting the side opposite the power source).



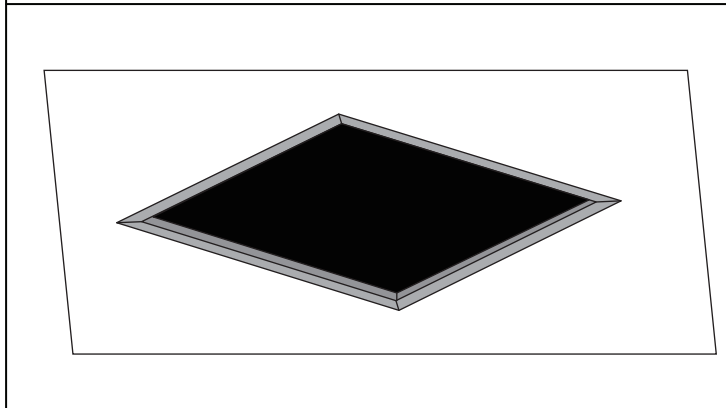
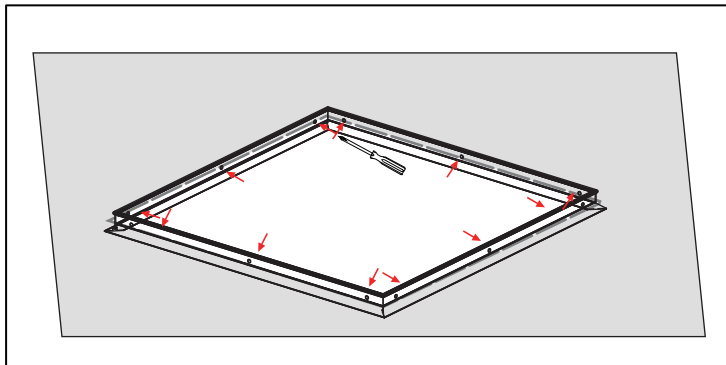
4. Attach B2 to complete the installation.

RECESSED MOUNT INSTALLATION INSTRUCTIONS:

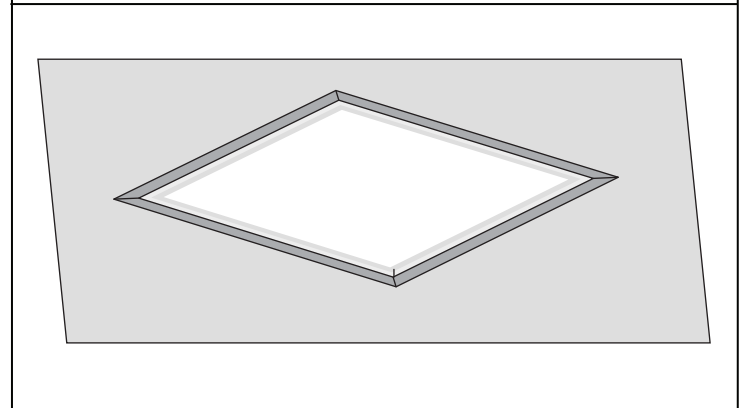
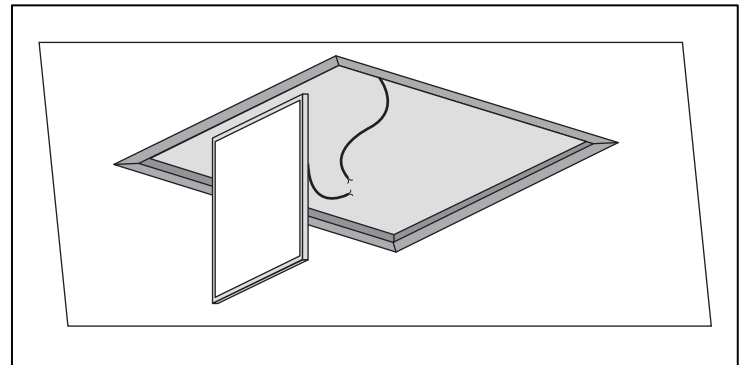
1. Screw the frame as indicated.



2. Attach the frame to the ceiling and align the inner wall of the frame.



3. Tighten the screws on the frame as indicated by the arrow.



4. Connect the wiring and insert the light fixture into the frame.