

G24 PL 4 PIN VERTICAL LED BULB - 3000K/4000K/5000K

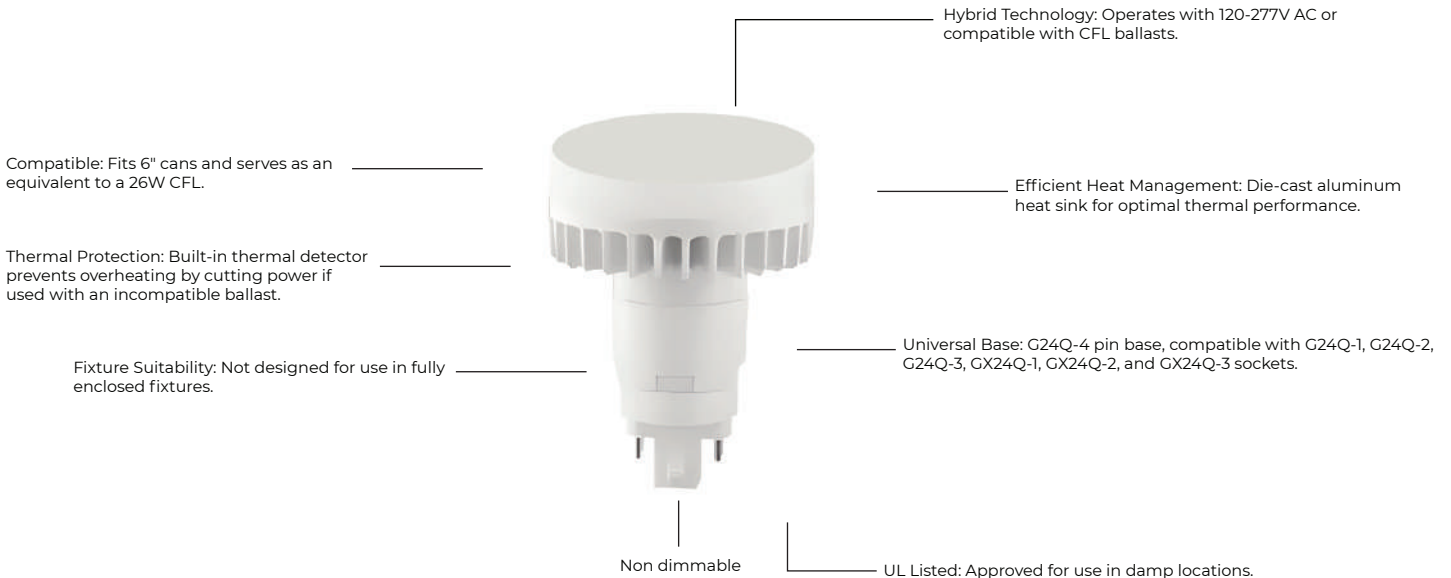
DESCRIPTION:

The G24 PL 4 Pin Vertical LED Bulb is a replacement for 26W CFL bulbs with 2-pin or 4-pin G24q-1, G24q-2, G24q-3, GX24q-1, GX24q-2, and GX24q-3 sockets. This 12W LED bulb is easy to install and compatible with electronic ballasts. With die-cast aluminum, it offers superior heat dissipation. These vertical LED tubes are UL-listed and non-dimmable. Featuring a round design, this energy-efficient LED bulb is perfect for recessed downlights, wall sconces, and vertical mounting applications.



FEATURES:

- Energy Savings: 12W LED replaces 26W CFL, offering high efficiency with lower energy costs.
- Ballast Compatibility: Compatible with most electronic ballasts; no rewiring needed for quick LED upgrades.
- Eco-Friendly: Free of lead and mercury, providing a safer lighting option for the environment.
- Extended Lifespan: Rated for 50,000 hours, five times longer than typical CFLs, reducing maintenance needs.
- Superior Heat Dissipation: Die-cast aluminum heat sink allows use in enclosed fixtures, enhancing longevity.



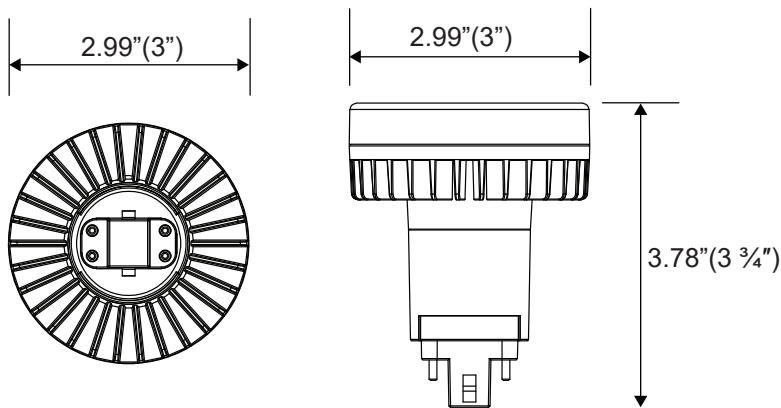
APPLICATIONS:

Ideal for various CFL replacements, including:

- Downlights and recessed can lights
- Wall sconces and ceiling fixtures
- Vanity lights and desk lamps
- Suitable for both residential and commercial installations

TECHNICAL SPECIFICATIONS:

Type	Vertical
Base	G24Q 4-pin
Wattage	12W (26W CFL equivalent)
Color Temperature	3000K , 4000K , 5000K
Voltage	120-277V
Lumen Output	900 lm (3000K), 1100 lm (4000K/5000K)
Color Rendering Index (CRI)	80
Beam Angle	140°
Power Factor	0.9
Lifespan (L70)	50,000 hours
Efficiency	91 lm/W
Dimmable	No
Dimensions	3.78" (Length) x 2.99" (Diameter)
Rotation	360° adjustable
UL Classification	Suitable for damp locations (not for direct exposure to weather)

DIMENSIONS:

ORDERING GUIDE:

SKU: G24-12W-3000K-V			
Model	Wattage	Color Temperature	Type
G24	12W	3000K 4000K 5000K	Vertical

ADAPTER (SOLD SEPARATELY):

G24 L Adapter

SKU: G24-Adaptor-L

This adapter allows for conversion of a horizontal socket to a vertical socket, making it compatible with the G24 plug light. The adjustable telescoping and swiveling arm centers the light perfectly in recessed downlights.



G24 Male to E26 Female Adapter

SKU: CONV-G24M-E26F

This adapter converts a 4-pin G24 base socket to a standard E26 screw-in socket, expanding compatibility with various bulb types. It is built with a flame-retardant PBT body and copper contacts for reliable performance.

**GU24 Male to E26 Female Converter**

SKU: CONV-IL-AD-GU24M to E26F

This adapter converts a 2-pin GU24 base socket to a standard E26 screw-in socket, allowing compatibility with a wider range of bulbs. Constructed with a flame-retardant PBT body and copper contacts, it ensures safety and durability.

