

Full Cut-off Wall Pack - 30W & 40W

Features

- Sealed die-casting profile for outdoor applications
- Available with Type II and Type III photometry
- Head tilts max 20degree for different lighting purpose
- Replacing 50-100W HID
- Lumen output from 2000-4500lm with efficacy of 100lm/W
- Built-in UL class 2 driver, optional for photocell
- UL listed and DLC qualified



Applications

- Security, pathway and perimeter lighting
- Building entryways and walkways





Full Cut-off Wall Pack - 30W & 40W

Specification

Specification/Model	NUR-WP-S-30W-5000K	NUR-WP-S-40W-5000K	NUR-WP-S-40W-5000K-PC1
Input Power	30W	40W	40W
Lumens output	3000lm	4500lm	4500lm
Efficacy	100 lm/W	112 lm/W	112 lm/W
CRI	72		
Color Temperature	5000K		
Input Voltage	120-277VAC		120-277VAC w/120V Photocell
Finish Color	Dark Bronze		
Lens	Glass		
Mounting	Fits electrical box and wall mount directly		
Photocell	120/277VAC (UL and CSA listed) 1/2 in long threaded nipple, 30-45 second time delay, Power Consumption: less than 0.9 watts at 120 VAC		

Ordering Guide

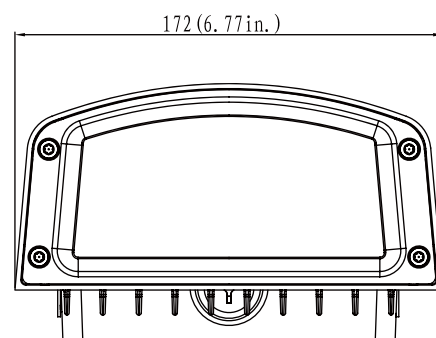
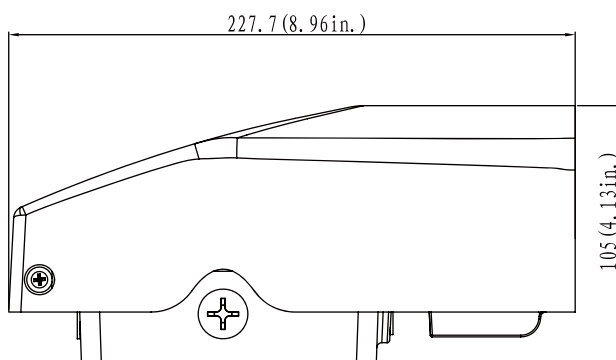
EXAMPLE : NUR-WP-S-40W-5000K-PC1

*Special Order

Lamp Type	Power Consumption	Input Voltage	CCT	Finish	Sensor (Option)
NUR-WP-S FULL CUTOFF Wall Pack LED	*20Watts	*120-277V	*3500	Dark Bronze	PC1 120V Photocell
	30Watts	347-380V	*4000K	B *Black	*PC2 277V Photocell
	40Watts		5000K		*PC3 347-380V Photocell
			*5700K		Blank Without Photocell

Dimension

unit: inch/mm





Full Cut-off Wall Pack - 30W & 40W

Energy Saving Replacement

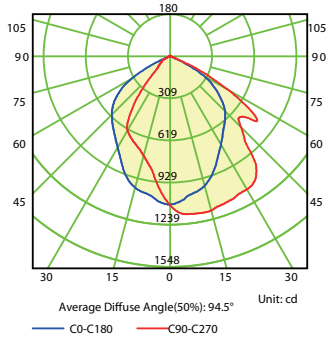
MODEL	Replacing
30W	50W HID
40W	100W HID

Full Cut-off Wall Pack - 30W & 40W

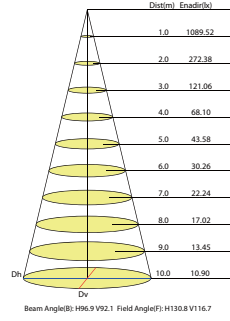
Photometrics

20W

Luminous Intensity Distribution Curve

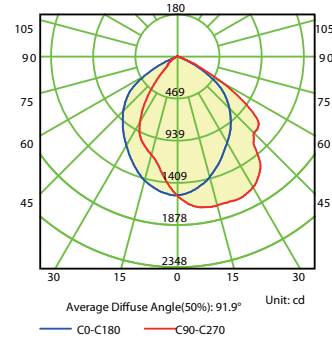


Illuminance at a Distance

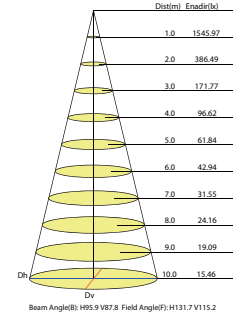


30W

Luminous Intensity Distribution Curve

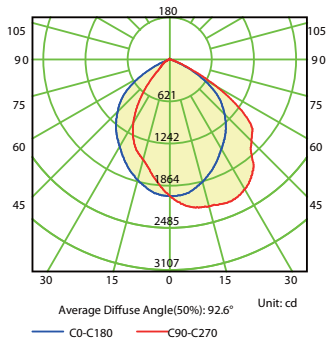


Illuminance at a Distance



40W

Luminous Intensity Distribution Curve



Illuminance at a Distance

