

# EMERGENCY EXIT SIGN COMBO - 2 ROUND LIGHT HEADS - RED LETTERS

## DESCRIPTION:

Our Emergency Exit Sign Combo features two adjustable round LED light heads and bold red letters for clear visibility. The 90-minute emergency backup is powered by a 3.6V Nickel Cadmium battery pack, ensuring reliable performance. This fixture is fire-resistant and UL-94V-0 flame-rated for added safety.



## FEATURES:

- Dual Round Light Heads: Provides ample illumination for emergency egress.
- Bold Red Letters: Ensures high visibility.
- Adjustable LED Heads: Customize the direction of light for maximum coverage.
- Fire-Resistant: UL-94V-0 flame-rated for safety.
- 90-Minute Emergency Backup: Offers reliable performance during power outages.
- Nickel Cadmium Battery: 3.6V battery pack for dependable power.

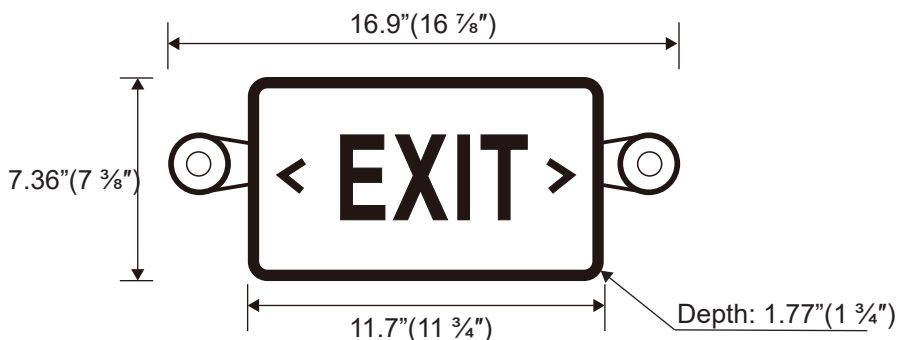
## APPLICATIONS:

- Offices
- Factories
- Shopping Malls
- Retail Stores

## TECHNICAL SPECIFICATIONS:

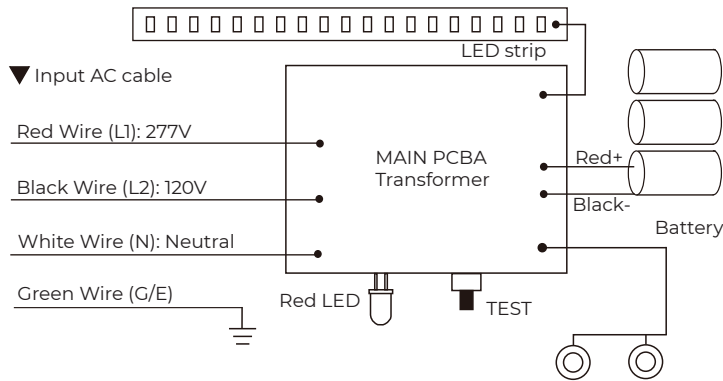
Input Wattage	5W
Input Current	0.04A
Efficiency	0.86P
Recharge Time	24 hours
Output Wattage	1W-2W
LED Configuration	12 red LEDs per head
Battery Type	3.6V Nickel Cadmium, 800mAh
Emergency Duration	Over 90 minutes
Dimensions	16.9" x 7.36" x 1.77"

## DIMENSIONS:



## WIRING DIAGRAM:

Warning: Ensure that any unused wires are securely capped with the provided wire nuts.



## SAFETY INSTRUCTIONS:

**Read and follow all safety instructions before installation or maintenance.**

- Ensure the equipment is not connected to power during installation or servicing.
- Keep combustible materials away from hot lamp parts.
- Follow the lamp manufacturer's warnings and recommendations.
- Avoid using abrasive materials or solvents that may damage the fixture.
- Wear gloves to prevent injury from sharp edges during handling and installation.

## WARNING:

- Risk of Electric Shock: Do not connect, disconnect, or service while the equipment is energized.
- Risk of Fire: Lamps are hot. Keep combustible materials away from hot parts.
- Risk of Personal Injury: This product may have sharp edges. Wear gloves to prevent cuts or abrasions.

## IMPORTANT SAFEGUARDS:

When using electrical equipment, always follow these basic safety precautions:

- Turn off electricity at the fuse or circuit breaker before wiring to the power supply.
- Disconnect AC power and unplug the battery before servicing.
- Consult your local building code for approved wiring and installation.
- Do not use this equipment outdoors.
- Ensure the power supply cord does not touch hot surfaces.
- Do not mount near gas or electric heaters.
- Do not install a damaged fixture.
- This product must be installed in accordance with applicable installation codes and ordinances.
- Proper grounding is required to ensure personal safety (where applicable).
- All service should be performed by qualified personnel.
- This product must be installed and maintained by a person familiar with its construction, operation, and the hazards involved.
- Mount equipment in locations and at heights where it will not be tampered with by unauthorized personnel.
- Using accessory equipment not recommended by the manufacturer may create unsafe conditions.
- Only use this equipment for its intended purpose.

## IMPORTANT:

- When replacing lamps, use only those specified by the manufacturer. Using other types may damage the transformer or create unsafe conditions.
- The battery in this unit may not be fully charged. After connecting the unit to electricity, allow the battery to charge for at least 24 hours before normal operation begins.

## INSTALLATION INSTRUCTIONS (BACK MOUNT):

1. Open the faceplate using a blade screwdriver.
2. Determine which mounting holes will be used to mount the fixture to the J-BOX, then punch out the appropriate knockouts from the knockout pattern on the back panel of the housing.
3. There are two additional keyhole slots located on the top of the unit. These holes must be used when mounting the unit to the wall.
4. Connect AC supply wires to fixture input wires. Black is for 120V; Red is for 277V; White is for neutral.

## INSTALLATION DIAGRAM:

