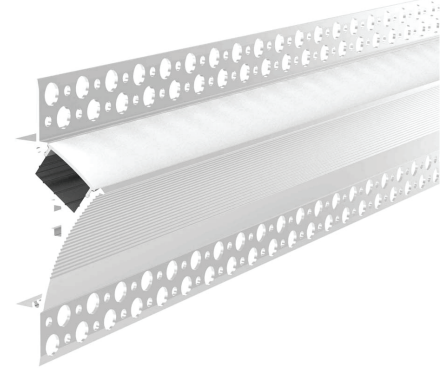


# COVE OR BASEBOARD RECESSED ALUMINUM CHANNEL

## DESCRIPTION:

Our Cove or Baseboard Aluminum Channel is designed for recessed mounting, providing a seek-and-trim-less installation. This silver anodized-finished channel can accommodate LED strip lights with widths up to 0.59 inches. Its plastic cover provides uniform light distribution. The channel crafted from high-quality aluminum 6065-T5 is ideal for cove lighting and various architectural lighting applications.



## FEATURES:

- Durable Construction: Made from high-grade 6065-T5 aluminum for long-lasting performance.
- Sleek Finish: Anodized silver finish provides a modern, professional appearance.
- Wide Compatibility: Accommodates LED strips up to 0.59 inches wide.
- Wide Beam Angle: 100-degree beam angle for broad illumination.

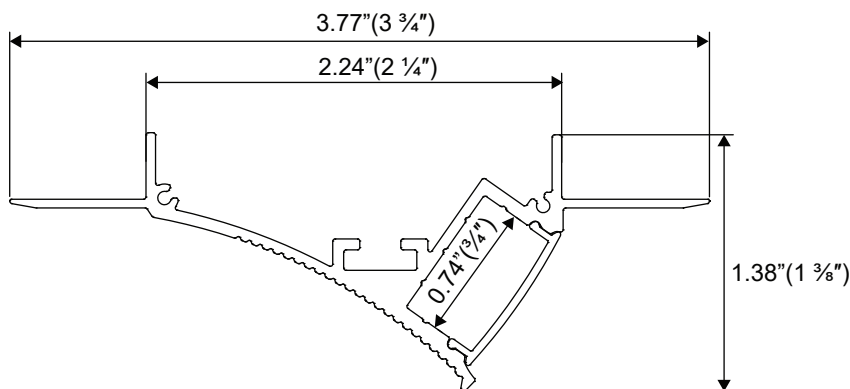
## APPLICATIONS:

- Cove lighting
- Indirect lighting
- Accent lighting
- Architectural lighting designs

## TECHNICAL SPECIFICATIONS:

Material	Aluminum Profile 6065-T5
Finish	Silver anodized
Cover	PC diffused cover
Length	6.4 ft
Weight	0.53 lbs/foot
Max LED Strip Width	0.59 inches
Beam Angle	100°
Installation	Trimless recessed

## DIMENSIONS:



**ACCESSORIES (SOLD SEPARATELY):**



End Caps  
SKU: AE-128-CAP



180° Connector(Metal)  
SKU: AE-CONN-180°



90° Connector(Metal)  
SKU: AE-CONN-90°



90° Vertical Connector (Metal)  
SKU: AE-CONN-V-90°



Cover  
SKU: AE-128-CVR-2M

**STEPS OF INSTALLATION:**

<p>1. Attach the end caps</p>	<p>2. Mount the fixture in place</p>	<p>3. Apply plaster to the fixture and drywall</p>
<p>4. Paint over the fixture and drywall</p>	<p>5. Affix the LED strip inside the channel</p>	<p>6. Snap on the diffused cover</p>
<p>7. Installation complete</p>		