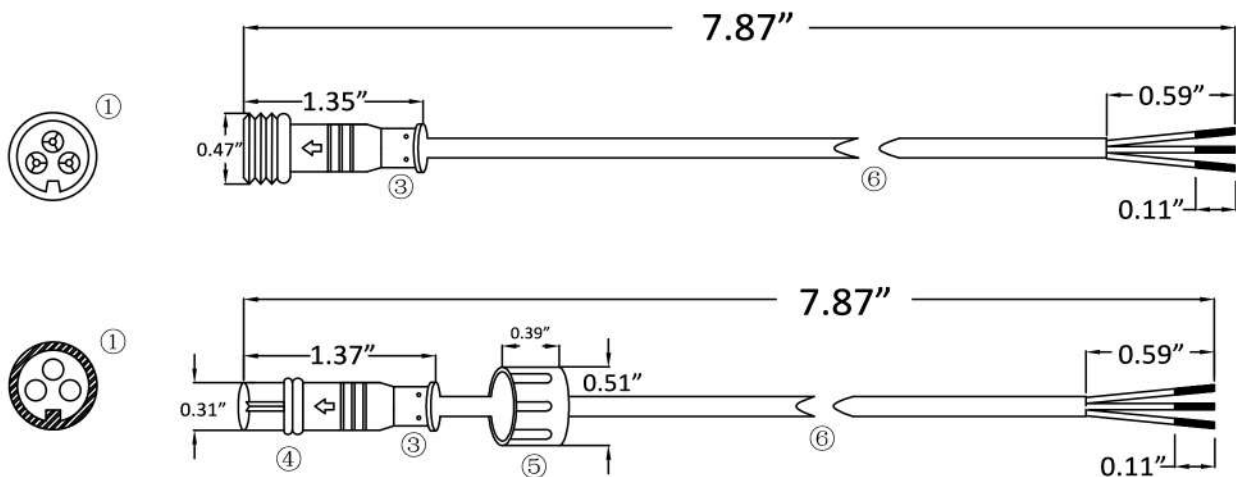


3 Pin Connector

- 22#AWG
- Max: 2.4A , 1V-300V,AC/DC
- Wire Length: 7.87" in.
- SKU: CONN-OD-3PIN-BARE

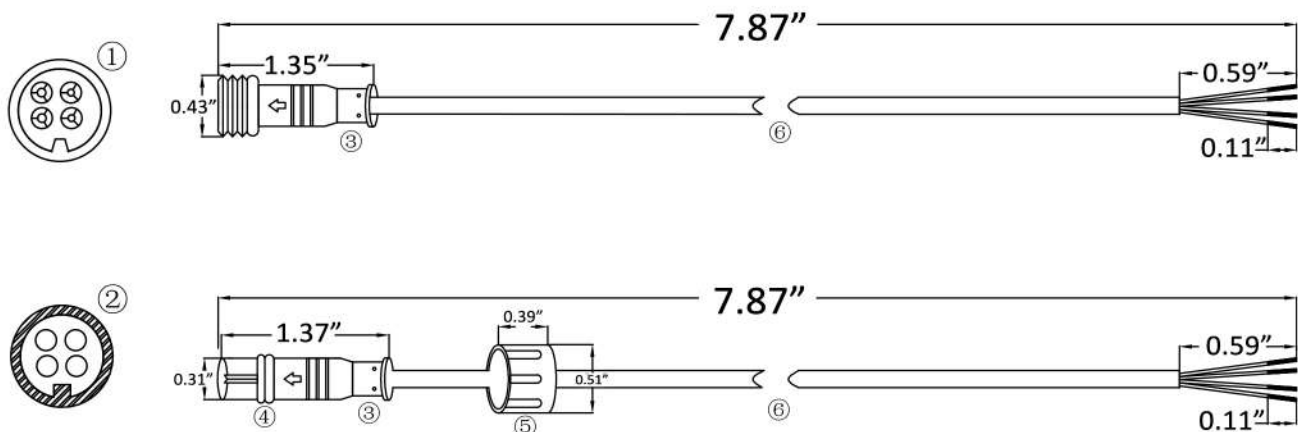
Dimensions:



4 Pin Connector

- 22#AWG
- Max: 2.4A , 1V-300V,AC/DC
- Wire Length: 7.87" in.
- SKU: CONN-OD-4PIN-BARE

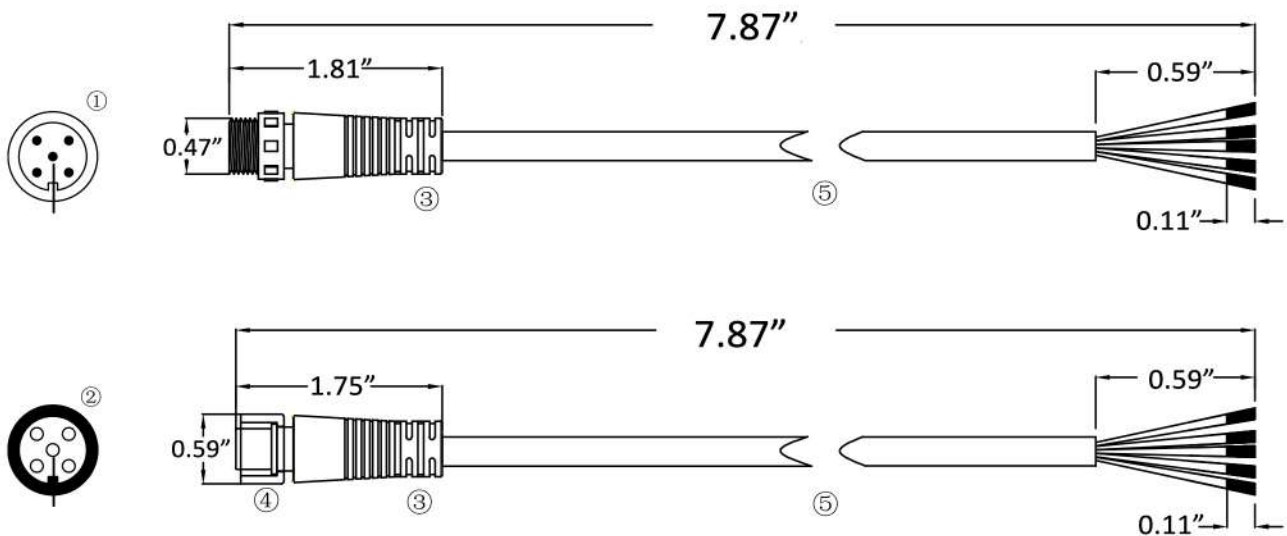
Dimensions:



5 Pin Connector

- 22#AWG
- Max: 2.4A , 1V-300V,AC/DC
- Wire Length: 7.87" in.
- SKU: CONN-OD-5PIN-BARE

Dimensions:



6 Pin Connector

- 22#AWG
- Max: 2.4A , 1V-300V,AC/DC
- Wire Length: 7.87" in.
- SKU: CONN-OD-6PIN-BARE

Dimensions:

