

# WATERPROOF 3 WAY JUNCTION BOX

## DESCRIPTION:

IP68 Waterproof Junction Box Electrical Way Enclosure Block Cable Connecting Line Protection for Wiring Accessories.



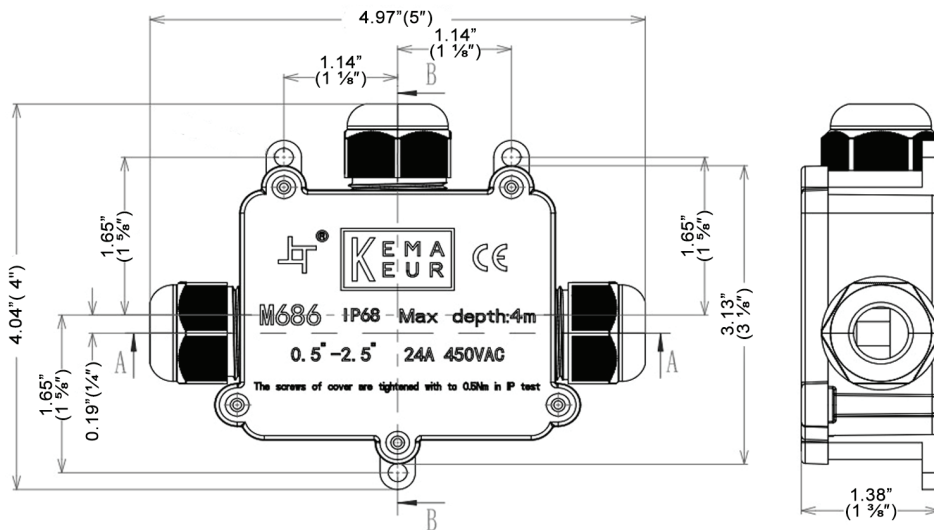
## FEATURES:

- Outdoor electrical wire waterproof junction box underground cable line protection sleeve connectors.
- Made of high-quality plastic PC housing, it will not crack or fade in sunlight, or corrosion, and is high temperature resistant, and durable for years.
- IP68 high-level waterproof class/moisture-proof/dust-proof/ anti-UV plastic terminal, it can be installed as an external junction box, widely used in outdoor waterproof facilities, street lights, buried lights, garden lights, outdoor flood lights, etc.
- Easy to install. Small volume, just a screwdriver, so that the cable connector is installed in any place where it needs.

## TECHNICAL SPECIFICATIONS:

Model	M686-T	
Material	Housing	Conductor
	Nylon + PC	Brass
Rated Power	24A/32A 450VAC	
IP	IP68	
Core	PA12-4P	
Working	T105	
Testing	10M 150hours	
Product Size	4.98in. , 3.78in. , 1.38in.	
Certification	KEMA,ENEC,CE,UKCA,CB,SAA,ROHS	

## DIMENSIONS:



**PRODUCT BREAK DOWN:**

