

# RGB+CCT SMART LANDSCAPE FLOOD LIGHT

## Description:

Dynamic color-changing capabilities and easy control options make it perfect for captivating landscapes. Create a stunning atmosphere with vibrant hues at your command. Remote is required and they are sold separately.



## Features:

- 16 Million Color Combinations
- Wireless range of up to 98.4 ft without obstruction
- Adjustable color temperature from 2700K to 6500K
- Compatible with ORA SMART GATEWAY for smartphone control
- Smooth Dimming and Color Blending capabilities
- Compatible with third-party voice control (requires ORA Wi-Fi Gateway)
- IP rating: IP65
- Signal mesh and mode synchronization.
- 160° degree beam angle.

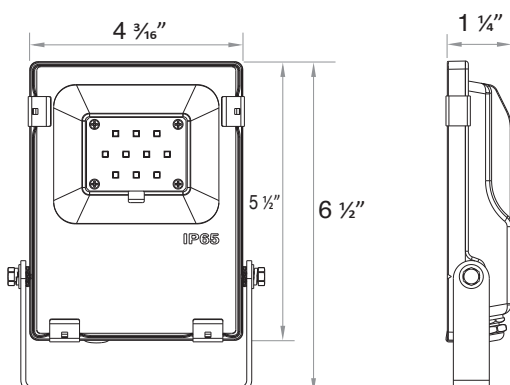


## Applications:

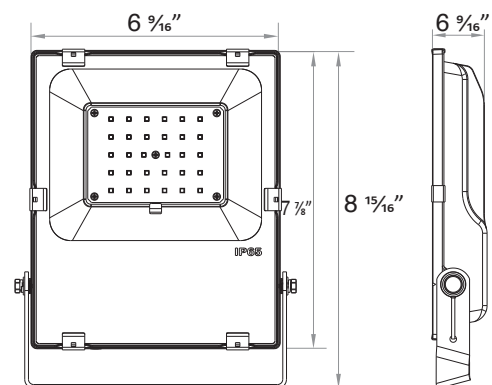
- RGB+CCT Color Changing
- Landscape Lighting
- Garden Light
- Wall Wash
- Tree Uplight

## Dimensions:

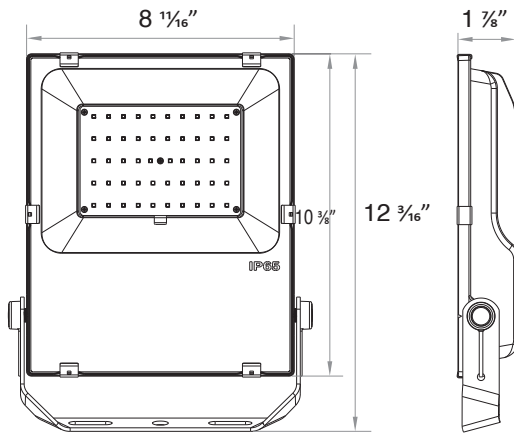
**10W**



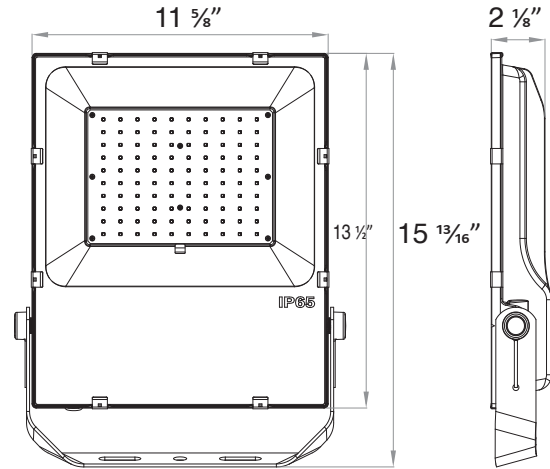
**30W**



**50W**



**100W**

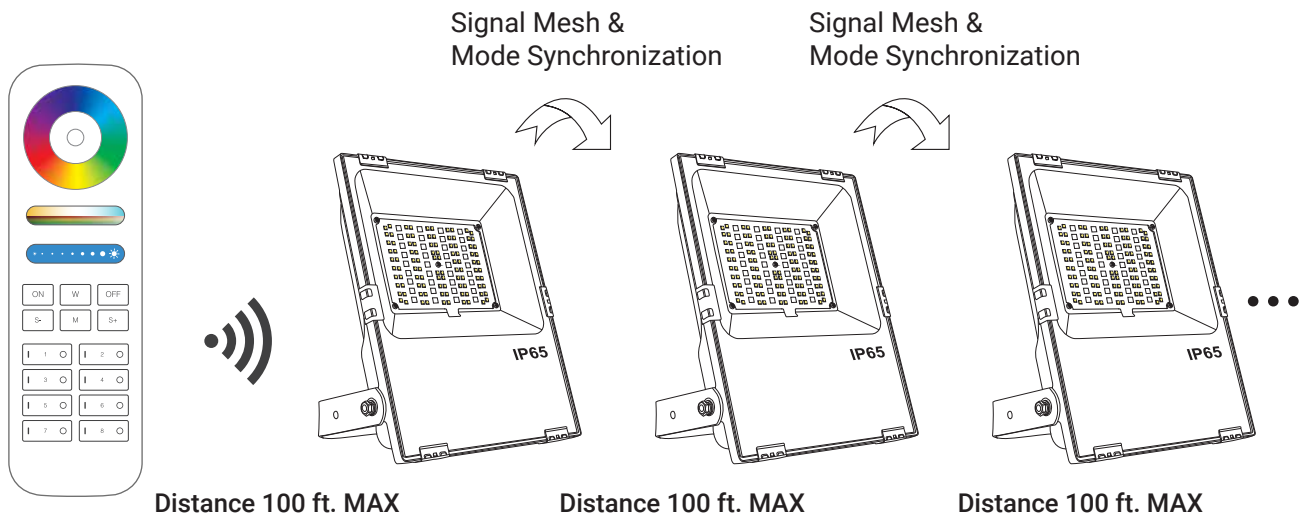


**Technical Specifications:**

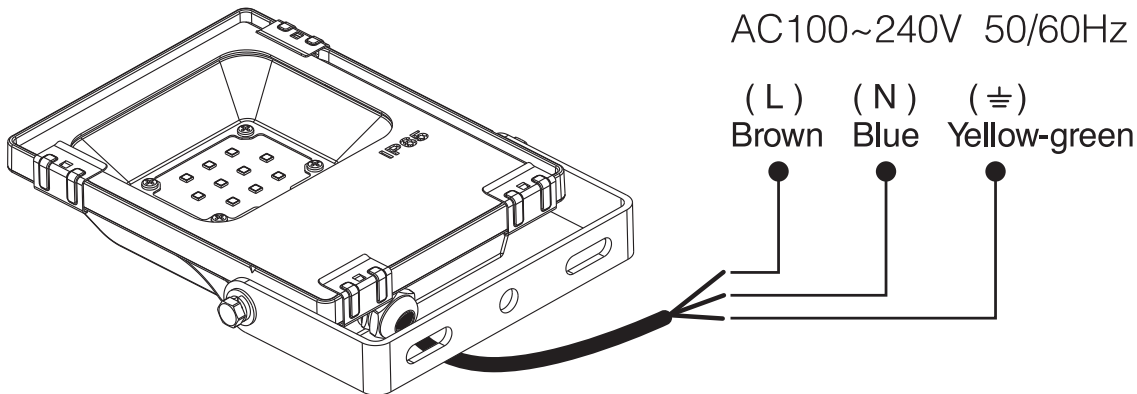
Wattage	10W	30W	50W	100W
Input Voltage	100-240Vac, 50/60Hz	100-240Vac, 50/60Hz	100-240Vac, 50/60Hz	100-240Vac, 50/60Hz
Color Temperature	2700K-6500K			
Lumen Output	1000 Lumens	3300 Lumens	4800 Lumens	10000 lumens
Light Efficiency	100LM/W	110LM/W	86LM/W	100LM/W
Fixture Dimensions/pc	6.6 x 4.3 x 1.3 in.	9 x 6.6 x 1.6 in.	12.3 x 8.7 x 1.9 in.	15.9 x 11.6 x 2.11 in.
Beam Angle	160°			
CRI	>80			
Power Factor	>0.5	>0.9		
Operating temperature	-4°F to 140°F ( -20°C to 60°C )			
IP Rating	IP65			
Standby Power Consumption	0.5W	1.2W		0.65W
RF	2.4GHz			
Transmitting Power	6dBm			
Control Distance	98.4ft (30m)			
Lifespan	50,000 hrs			

**Signal Mesh:**

Any ORA products can repeat or relay 2.4GHz RF signals (Radio Frequency) from any ORA Wi-Fi Gateway, ORA remote, or ORA LED Controller within a 98.4 ft distance from each other. Signal transmission can occur multiple times, between multiple products in different zones, and controlled by different products. This network of ORA products forms an RF mesh to allow for easier and faster transmission of commands.



**Connection Diagram:**

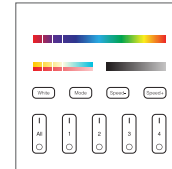
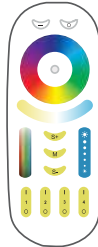


**Compatible with these remote controls (Purchased Separately)**

ORA RGB+CCT 8 Zone Remote  
SKU: MILI-REM-RGBWW-8Z

ORA RGB+CCT 4 Zone Remote  
SKU: MILI-REM-RGBWW

ORA 4 Zone RGB+CCT Panel Remote  
SKU: MILI-REM-RGBWW-WALL-4Z



RGB+CCT 8 Zone Touch Panel Wall Remote  
SKU: MILI-REM-RGBWW-WALL-8Z



**Light can work after linking with the remote;  
for more details, please read the remote instruction.**

**ATTENTION:**

1. When installing the light fixtures, please switch off the power.
2. Check whether the input voltage supply is in accordance with the lighting fixture required voltage. Disassembling this product will void the warranty
3. Do not open up this product.
4. For use in temperatures within -4-113°F; do not use this product in direct sunlight, or in areas where pressurized water will be sprayed on the product.
5. All control distances are max. In cases where other RF signals are within the same range, interference may occur.
6. Do not use the lighting fixtures in high vibration areas.
7. Do not operate this fixture unless it is open to the environment. Not for use in enclosures or in contact with insulation.
8. NON-DIMMABLE. NOT FOR USE WITH ANY WALL DIMMER.

**ORDERING GUIDE**

Example: MILI-FL-10W-RGBCB

Fixture Type <input type="text" value="MILI-FL"/>	Wattage <input type="text"/>	Color Temperature <input type="text" value="RGBCB"/>
	<p>10W    10 Watts</p> <p>30W    30 Watts</p> <p>50W    50 Watts</p> <p>100W   100 Watts</p>	



Made in China