

RGB+CCT SMART GARDEN LIGHT - 9W

DESCRIPTION:

The 9W RGB+CCT Smart Garden Light capable of displaying 16 million colors combinations and also color temperature from 2700K - 6500k. This light is Compatible with ORA SMART GATEWAY. Ideal for landscaping and outdoor applications.

FEATURES:

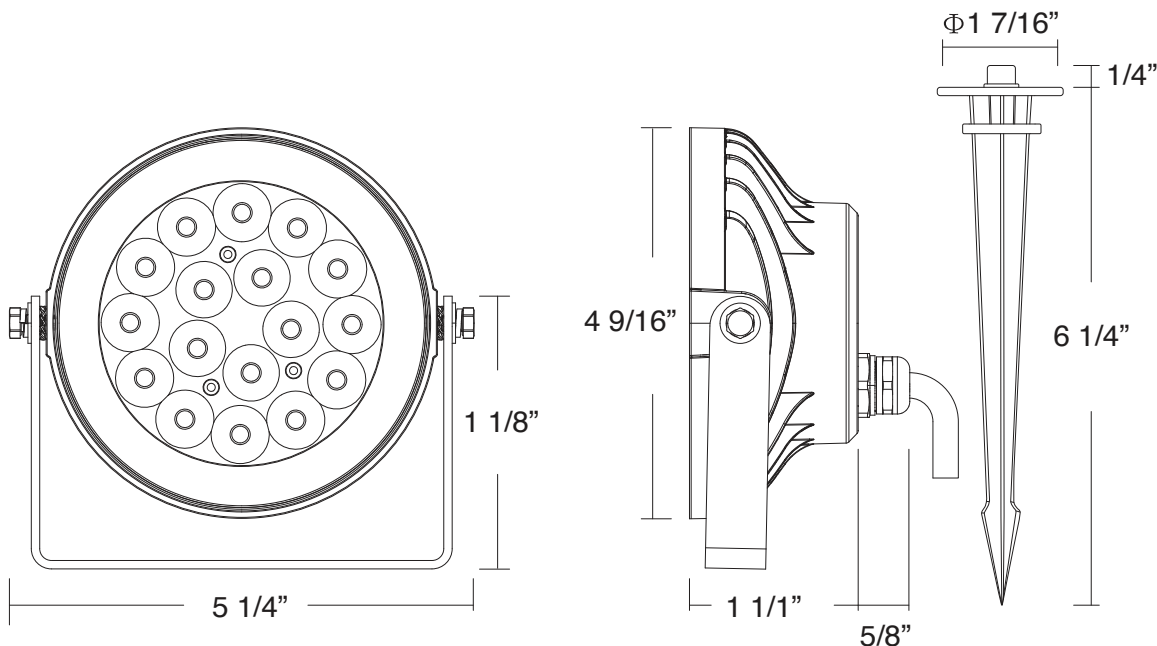
- 16 million Color Options
- Smooth Dimming
- Color Blending
- Dynamic Pattern Mode
- Color Temperature: 2700-6500K
- Lumen Output: 1500 lumens
- Control Distance: Up to 98.4ft (30m)
- Illumination Distance: Covers 49.2ft (15m)
- 2.4GHz Transmitting Signal Mesh
- Mode Synchronization
- Waterproof Rating: IP66
- Warranty: 3-year warranty



APPLICATIONS:

- Smart home lighting
- Garden lights
- Landscape light

DIMENSIONS:

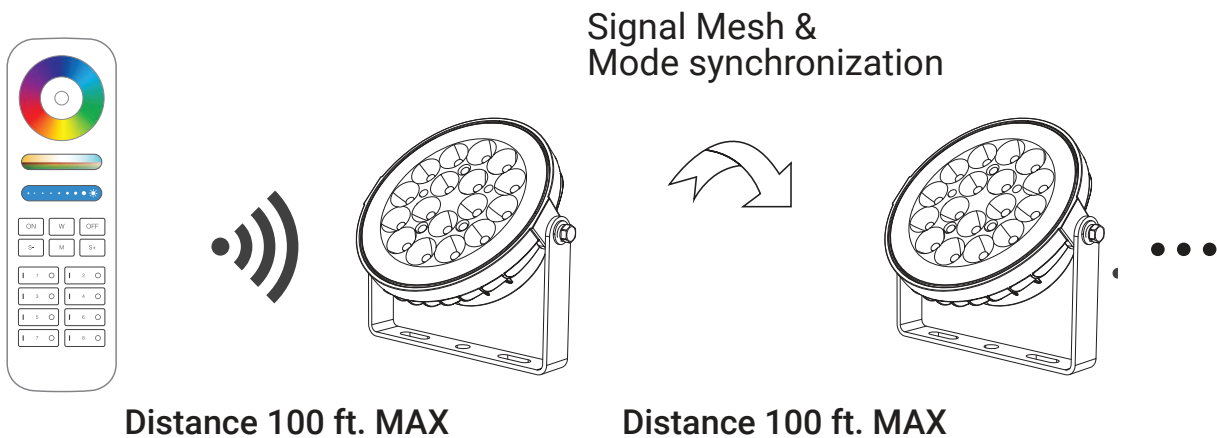


TECHNICAL SPECIFICATIONS:

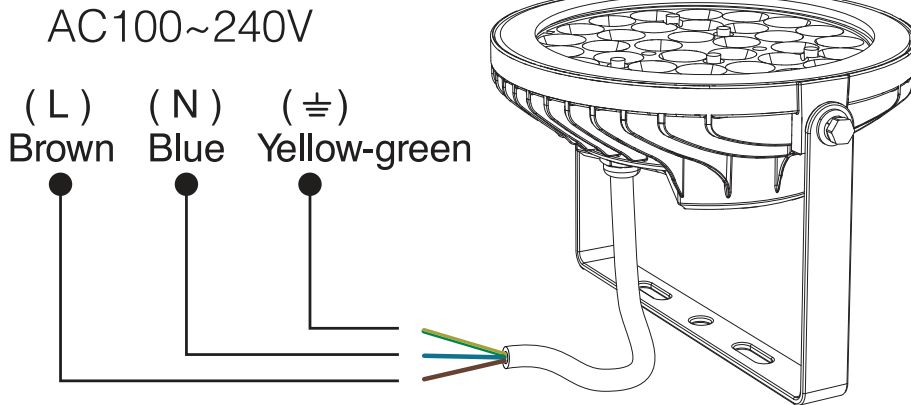
Model No.	MILI-GL-9W-RGBCB-OD-120V
Input Voltage	AC100~240V 50/60Hz
Rated Current	0.18A
Power	9W
Working Temperature	-4°F~113°F
Color Temperature	2700K~ 6500K
Lumens	900LM
Light Efficiency	100LM/W
CRI	80
PF	0.5
Beam Angle	15°
IP Rate	IP66
RF	2.4GHz
Illumination Distance	32.8 ft.
Control Distance	98.4 ft
Lifespan	50000 Hours

SIGNAL MESH

Any ORA product can repeat signals or relay signals from a WIFI Controller or an RF Remote within a 98.4 ft. distance to other ORA products. This signal transmission can happen multiple times, between lights on different zones, or lights being controlled by different remotes. All ORA products form a RF mesh to allow for easier and faster transmission of commands.



CONNECTION DIAGRAM



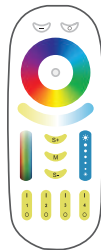
LINK/UNLINK:

Compatible with these remote controls (Purchased separately)

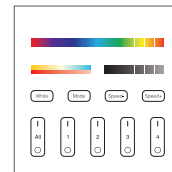
ORA RGB+CCT 8 Zone Remote
SKU: MILI-REM-RGBWW-8Z



ORA RGB+CCT 4 Zone Remote
SKU: MILI-REM-RGBWW



ORA 4 Zone RGB+CCT Panel Remote
SKU: MILI-REM-RGBWW-WALL-4Z



RGB+CCT 8 Zone Touch Panel Wall Remote
SKU: MILI-REM-RGBWW-WALL-8Z



**Light can work after linking with the remote;
for more details, please read the remote instruction.**

ATTENTION:

1. When installing the light fixtures, please switch off the power.
2. Check whether the input voltage supply is in accordance with the lighting fixture required voltage.
3. Do not open up this product. Disassembling this product will void the warranty
4. For use in temperatures within -4-113°F; do not use this product in direct sunlight, or in areas where pressurized water will be sprayed on the product.
5. All control distances are max. In cases where other RF signals are within the same range, interference may occur.
6. Do not use the lighting fixtures in high vibration areas.
7. Do not operate this fixture unless it is open to the environment. Not for use in enclosures or in contact with Insulation.
8. NON-DIMMABLE. NOT FOR USE WITH ANY WALL DIMMER.