

# RGB ROTARY WALL REMOTE (RF) SR SERIES

## DESCRIPTION:

The RGB Rotary Wall Remote (RF) provides a versatile control RGB LED Lighting. This remote offers a feature of rotary knob to control brightness adjustments and color tone, ensuring a comfortable and visually appealing lighting experience. The remote's flicker-free dimming feature from 0.1% to 100% protects the eyesight, while its ability to manage a single zone with an unlimited number of receivers provides flexibility in lighting applications. Additionally, when paired with a WiFi-RF converter, the remote can be integrated into a smart home system, enabling convenient app-based control via iOS or Android devices.



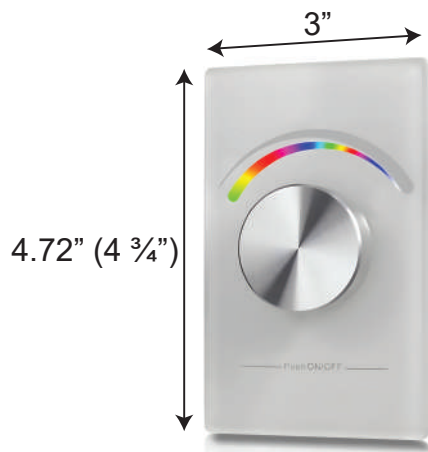
## FEATURES:

- Reliable switch and dimming control, range  $\geq 65$ ft.
- Smooth on/off transitions without flashing.
- Expandable output power with power repeater.
- Control 1 zone with unlimited receivers.
- Each receiver supports up to 8 remotes.
- Rotary adjustment via wall panel.
- Switch between color dimming and RGB adjustment.
- Battery life lasts up to five years.

## APPLICATIONS:

- Home Lighting Control
- Commercial Lighting
- Architectural Lighting
- Landscape Lighting

## DIMENSIONS:



**TECHNICAL SPECIFICATIONS:**

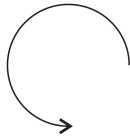
Operation Voltage	3VDC
Output Signal	RF signal
Power Supply	3V(CR2032)
Radio frequency	916.5MHz
IP Rating	IP20
Dimming range	0.1%-100%
Power consumption	10 mA
Operating temperature	32°F-104°F
Relative humidity	8% to 80%
Class interface	White
Remarks	Rotation sensitive

**FUNCTION OVERVIEW:**

Counterclockwise knob rotation:

Dims the light from 100% to 1% (Brightness Mode).

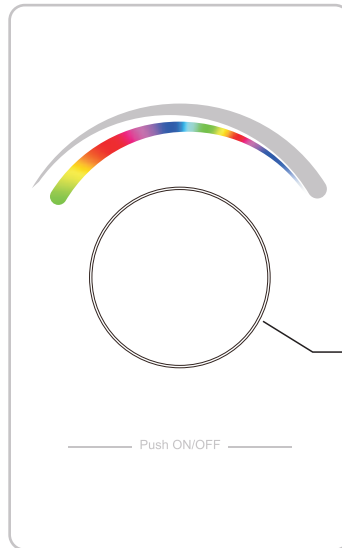
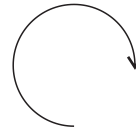
Changes the RGB color (RGB Color Mode).



Clockwise knob rotation:

Increases the light from 1% to 100% (Brightness Mode).

Changes the RGB color (RGB Color Mode).

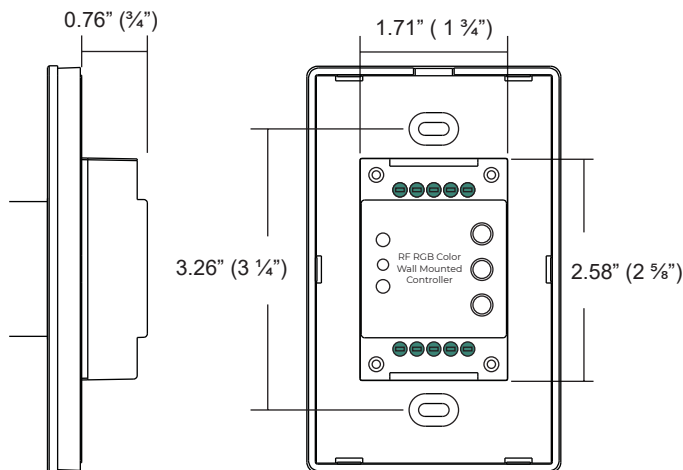


Click the knob: Turns the light ON or OFF.

Press and hold the knob: Instantly sets brightness to 100%.

Double-click the knob: Switches between RGB Color Mode and Brightness Mode.

Front side

**DIMENSIONS:**


Back side

## PAIRING WITH RF RECEIVER:



**Step 1:** Connect the RF receiver by following the wiring diagram in the RF receiver's manual.

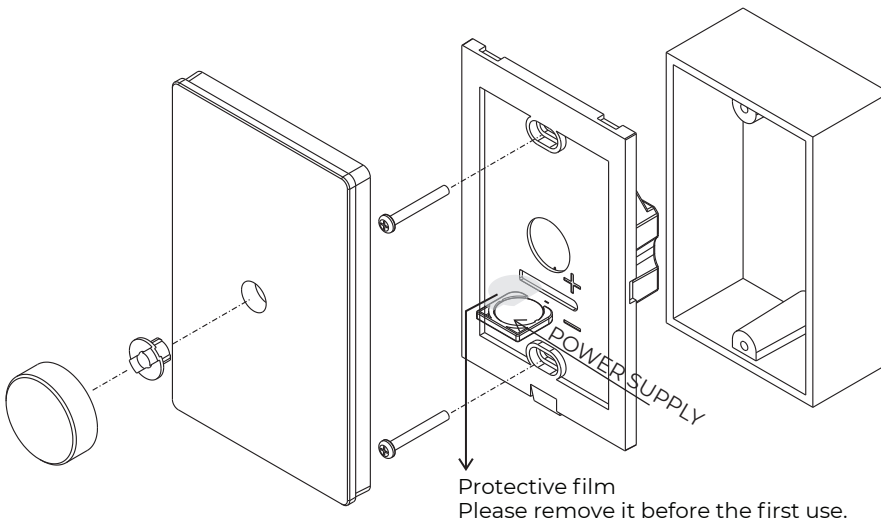


**Step 2:** Press the "Learning Key" on the RF receiver to activate pairing mode.

**Step 3:** Rotate or press the knob on the remote. The connected LED lights will flash once, confirming successful pairing.

**Note:** Each RF receiver can pair with up to 8 remotes.

## INSTALLATION:



## SAFETY AND WARNINGS:

- Please ensure that the main power is turned off prior to installing the device.
- Avoid exposing the device to moisture.

## COMPATIBLE RECEIVER:

### RGBW 4-CHANNEL CONTROLLER (RF) SR SERIES

- SKU: CONT-SR-1009FA
- Input Voltage: 12-36VDC
- Wattage: 240-720W
- Sold Separately

