

OUTDOOR TRIAC DIMMABLE LED DRIVER 12V OR 24V OPTIONS

DESCRIPTION:

This Outdoor Triac Dimmable LED Driver is designed for outdoor applications and offers precise dimming control using TRIAC technology. This driver supports forward phase, magnetic low voltage and pulse width modulation. Available in both 12V and 24V options, it provides reliable power to outdoor LED lighting fixtures. With its weatherproof construction and robust design, this driver is built to withstand harsh outdoor conditions. This driver is compatible with junction box (sold separately).



FEATURES:

- Power Consumption: 80W, 100W, 200W
- Output Voltage: 12V DC or 24V DC
- Input Voltage: 100-130V AC
- Triac Dimming
- Forward Phase Dimming
- Leading Edge Dimming
- Magnetic Low Voltage (MLV)
- Pulse Width Modulation (PWM)
- Dimmable
- Outdoor rated: IP66
- Junction Box available (sold separately)
- Lifespan: 50,000 hours
- Warranty: 3 years
- Short Circuit Protection
- Over Current Protection
- Over Loading Protection
- Over Temperature Protection
- Certificates: ETL listed, FCC

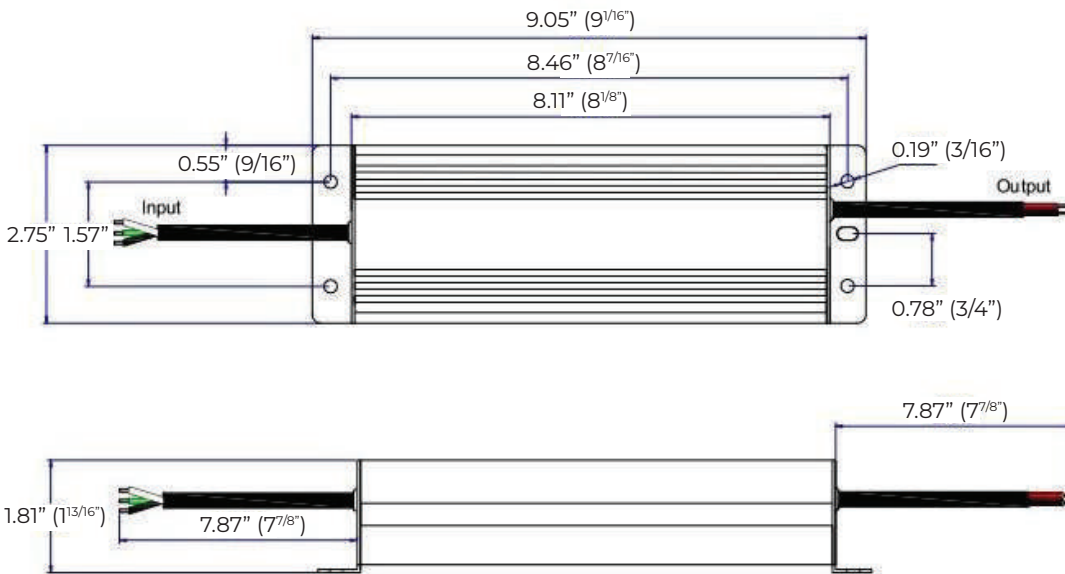


APPLICATIONS:

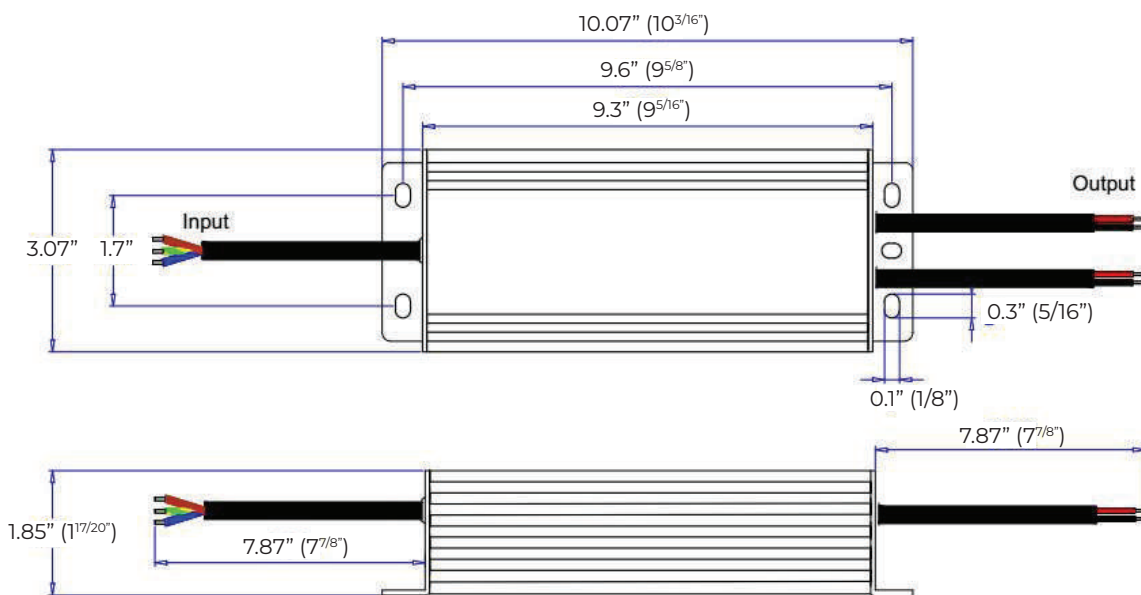
- Landscape Lighting
- Architectural Lighting
- Outdoor Signage
- Deck and Patio Lighting
- Security Lighting
- Pathway and Driveway Lighting

DIMENSIONS:

80W and 100W



200W



NOTES:

- Unless otherwise specified, all parameters are measured at 120VAC input, rated load, and an ambient temperature of 25°C.
- To extend the lifespan of the driver, reduce the load at lower input voltages.
- Load should be between 5% to 100%.

TECHNICAL SPECIFICATIONS:
12V

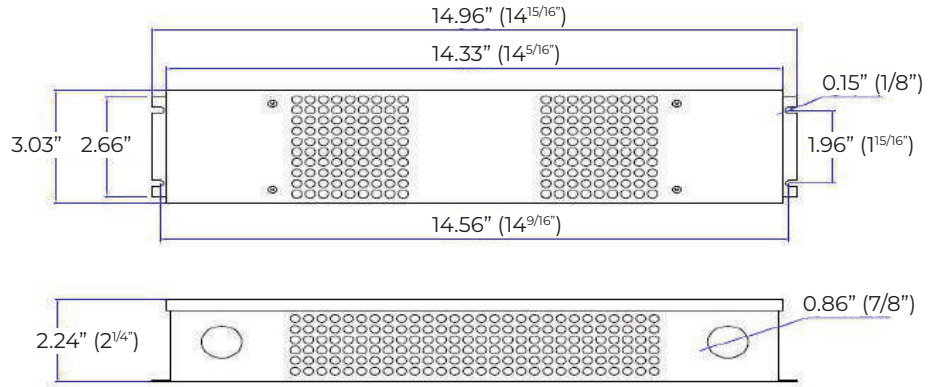
SKU	PWR-D-N-80W-12V-OD	PWR-D-N-100W-12V-OD	PWR-D-N-200W-12V-OD
DC Output Voltage	12V	12V	12V
Rated Output Current	6.66A	8.33A	16.66A
Rated Output Power	80W	100W	200W
Input Frequency Range	50~60HZ	50~60HZ	50~60HZ
Efficiency	81%	81%	83%
Power Factor	0.65 (Full loading)	0.65 (Full loading)	0.65 (Full loading)
Over Current	≤1.2*I out	≤1.2*I out	≤1.2*I out
Over Loading	≤120%	≤120%	≤120%
Over Temperature	212°F ± 18°F	212°F ± 18°F	212°F ± 18°F
Working Temperature	-40°F to +140°F	-40°F to +140°F	-40°F to +140°F
AC Current (Max.)	1.45A	1.7A	3.2A
Net. Weight	2.43 lbs	2.65 lbs	3.64 lbs
Size	9.06 in × 2.76 in × 1.81 in (L × W × H)	9.06 in × 2.76 in × 1.81 in (L × W × H)	10.08 in × 3.07 in × 1.85 in (L × W × H)
Packaging	12.76 in × 10.98 in × 6.93 in (L × W × H) 10 PCS/CTN	12.76 in × 10.98 in × 6.93 in (L × W × H) 10 PCS/CTN	12.01 in × 11.61 in × 8.27 in (L × W × H) 10 PCS/CTN

24V

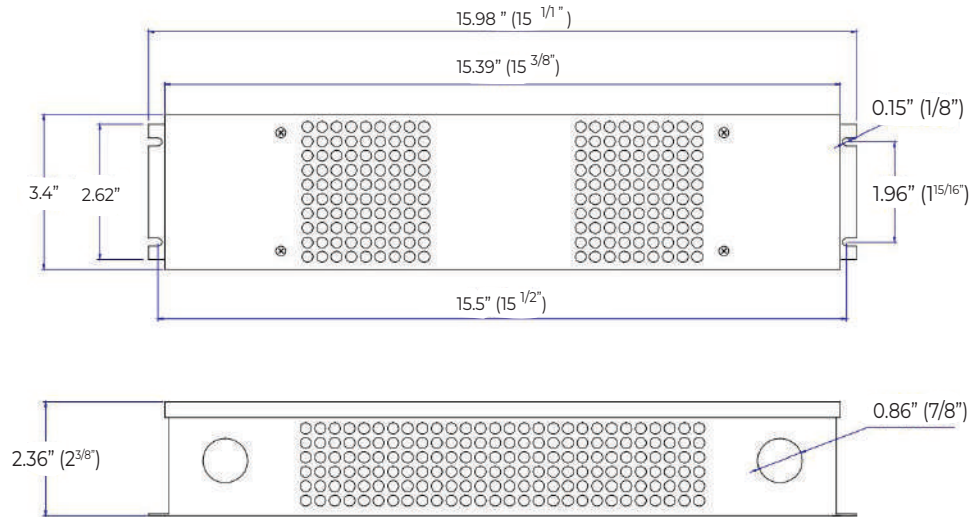
SKU	PWR-D-N-80W-24V-OD	PWR-D-N-100W-24V-OD	PWR-D-N-200W-24V-OD
DC Output Voltage	24V	24V	24V
Rated Output Current	6.66A	4.17A	8.03A
Rated Output Power	80W	100W	200W
Input Frequency Range	50~60HZ	50~60HZ	50~60HZ
Efficiency	83%	83%	85%
Power Factor	0.65 (Full loading)	0.65 (Full loading)	0.65 (Full loading)
Over Current	≤1.2*I out	≤1.2*I out	≤1.2*I out
Over Loading	≤120%	≤120%	≤120%
Over Temperature	212°F ± 18°F	212°F ± 18°F	212°F ± 18°F
Working Temperature	-40°F to +140°F	-40°F to +140°F	-40°F to +140°F
AC Current (Max.)	1.45A	1.7A	3.2A
Net. Weight	2.43 lbs	2.65 lbs	3.64 lbs
Size	9.06 in × 2.76 in × 1.81 in (L × W × H)	9.06 in × 2.76 in × 1.81 in (L × W × H)	10.08 in × 3.07 in × 1.85 in (L × W × H)
Packaging	12.76 in × 10.98 in × 6.93 in (L × W × H) 10 PCS/CTN	12.76 in × 10.98 in × 6.93 in (L × W × H) 10 PCS/CTN	12.01 in × 11.61 in × 8.27 in (L × W × H) 10 PCS/CTN

JUNCTION BOX:

80W and 100W



200W



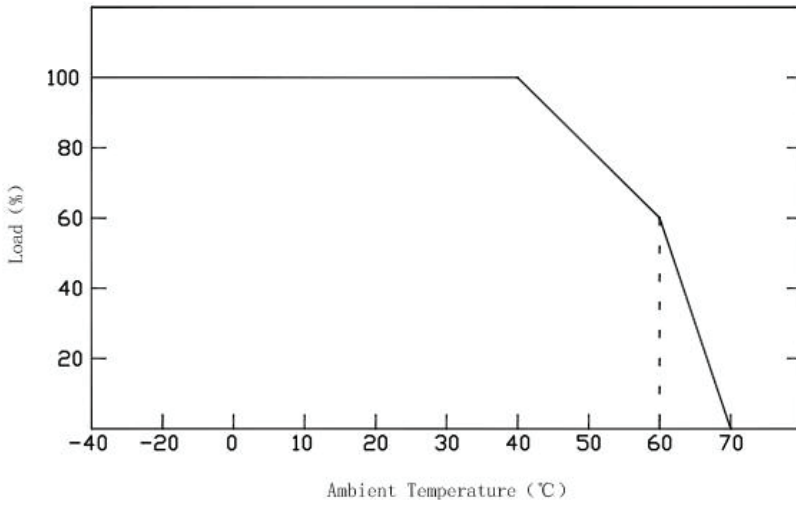
DIMMING OPERATIONS:

- The output constant current level can be adjusted via the input terminal of the AC phase line (L) by connecting a phase/triac dimmer.
- This is compatible with forward phase, magnetic low voltage, and triac dimmers.

WARNING:

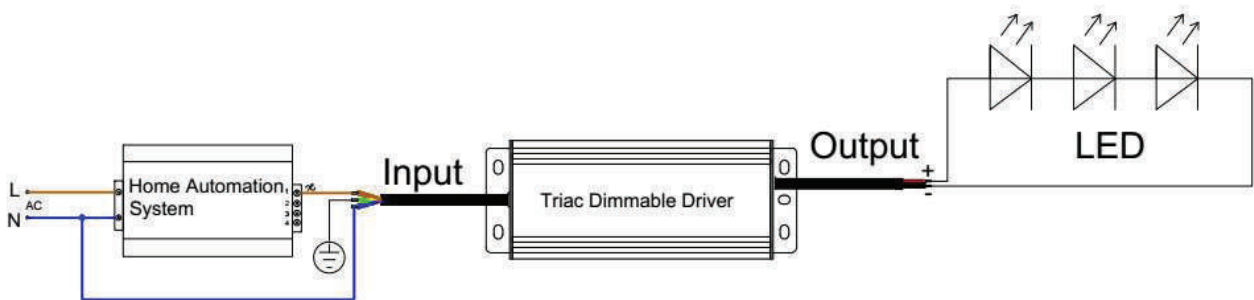
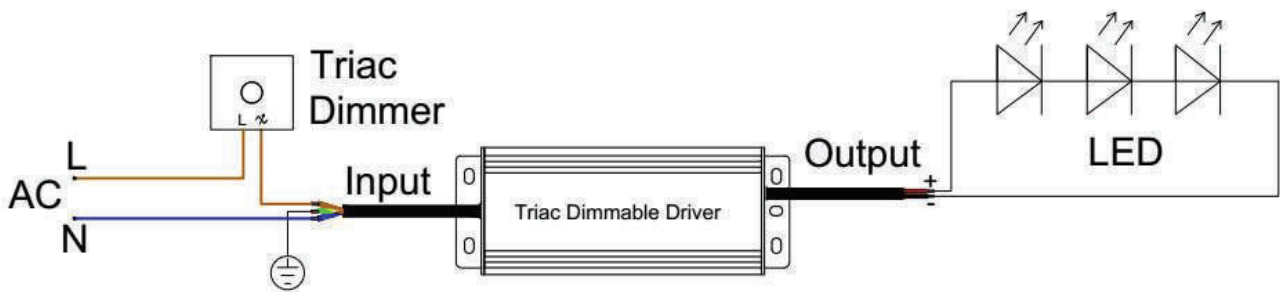
- Prevent reverse polarity: Output polarity is RED "+" and BLACK "-".
- Risk of Electric Shock: For outdoor use, install only on a circuit protected by a Class A GFCI.
- Risk of Fire: Special wiring methods are required to run wiring through a building structure. Consult a qualified electrician.
- Risk of Electric Shock: Mount the unit at least 1 foot above the ground.

DERATING CURVE:



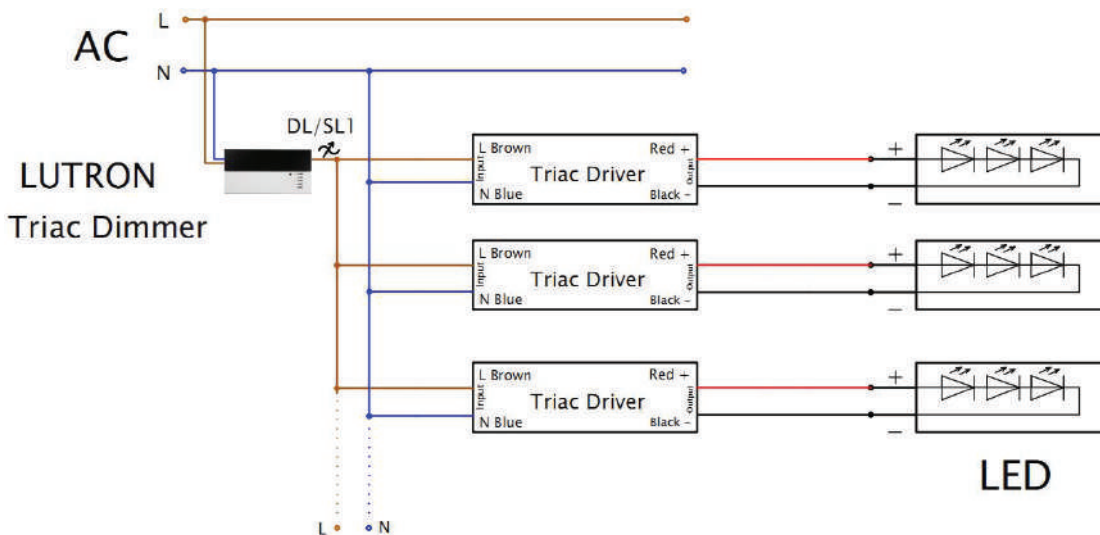
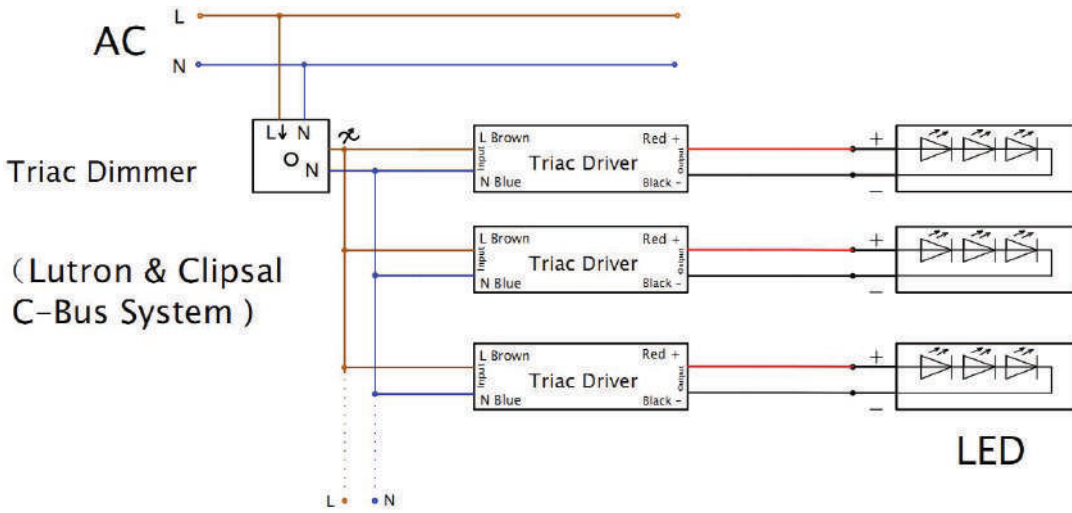
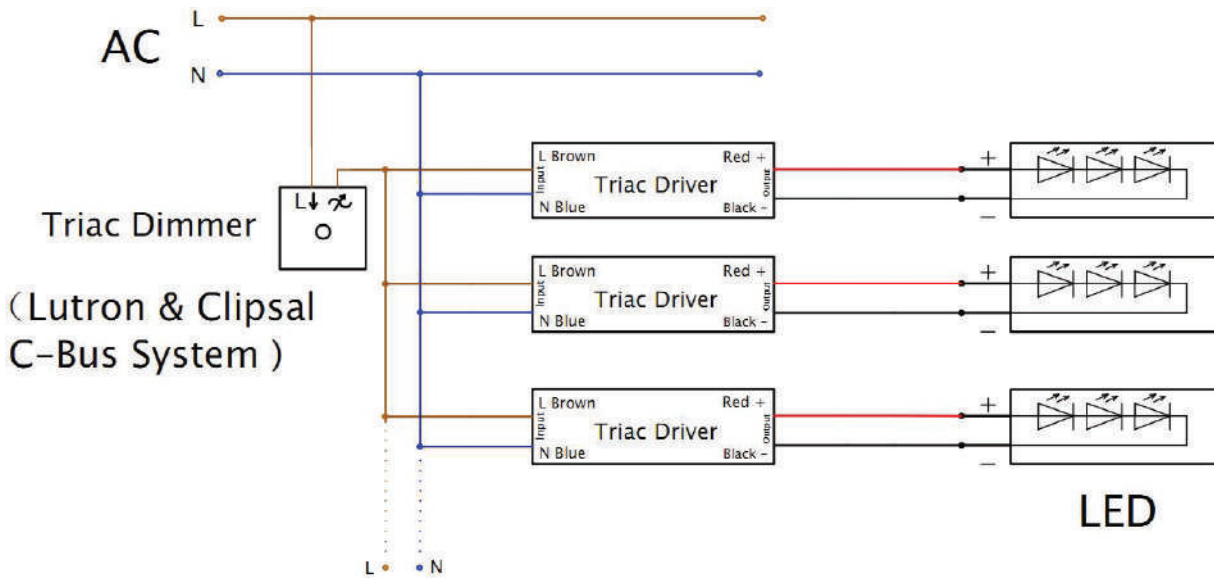
CONNECTION DIAGRAM:

Single Driver Connecting Diagram



CONNECTION DIAGRAM:

Multiple Drivers Connecting Diagram



ORDERING GUIDE

Example: PWR-D-N-80W-12V-OD

Power Supply	Wattage	Voltage	Outdoor
<input type="text" value="PWR-D-N"/>	<input type="text"/>	<input type="text"/>	<input type="text" value="OD"/>
	80W 100W 200W	12V 24V	