

LED UFO HIGH BAY WATTAGE AND CCT ADJUSTABLE

DESCRIPTION:

The LED High Bay is an economical lighting option. With a CRI of over 80, it provides comfortable and visually appealing lighting.



FEATURES:

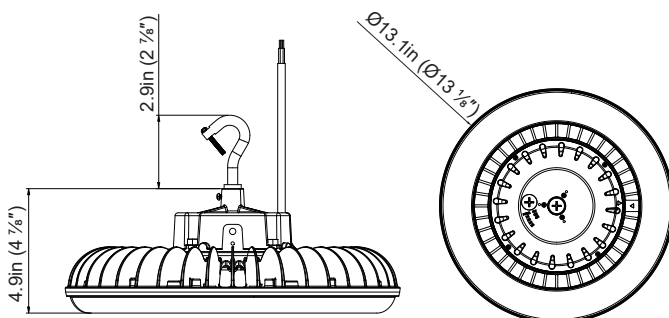
- SKU: NUR-HBY-CCT-215W
- Sealed die-casting profile for indoor and outdoor applications.
- For use with 0-10V dimming, allowing for a dimming range of 100% to 0%.
- An energy-efficient replacement for 250W and 400W metal halide lamps.
- Available in hook mount and pendant mount options.
- The product is CCT adjustable, allowing for customization of the color temperature.
- It is wattage selectable, providing flexibility in choosing the appropriate power output.
- The maximum wattage for this product is 215W.



APPLICATIONS:

- Warehouses
- Industrial
- Retail
- Office
- Gymnasiums

DIMENSIONS:



Net Weight:
215W: 6.81lbs

TECHNICAL SPECIFICATIONS:

Voltage	120-277 VAC
Wattage	Max. 215W
Color Temperature	4000K/5000K
Dimmable	0-10V dimming
Light Source Type	LED chips
UL Listing	Wet location
Operating Temperature	-40°F to 113°F
Lifespan	50,000 hours
Warranty	5 year

ADJUSTABLE POWER & CCT LUMEN OUTPUT TABLE:

Setting	Voltage	Wattage	Lumens (4000K)	Lumens Per Watt (4000K)	Lumens (5000K)	Lumens Per Watt (5000K)
LV1 100%	120-277V AC	215W	30500lm	142lm/W	30300lm	141lm/W
LV2 80%	120-277V AC	170W	25000lm	147lm/W	24500lm	144lm/W
LV3 60%	120-277V AC	128W	20000lm	156lm/W	19500lm	152lm/W
LV4 40%	120-277V AC	85W	13700lm	161lm/W	13500lm	159lm/W

ELECTRICAL DATA:

Number of Drivers	Driver Current (mA)	Nominal Power (W)	Input Voltage (V)	Current (Amps)
1	830	215	120	1.79
		215	208	1.03
		215	240	0.90
		215	277	0.78

PHOTOMETRICS:
