

# LED CANOPY LIGHT - 3 CCT

## DESCRIPTION:

Square Canopy Light-CCT, is a cost-effective, energy-saving LED light fixture for surface mount applications in commercial buildings, retail, and educational facilities. Thin design, though, the housing provides excellent heat dissipation which prolongs its lifespan. The precision-designed optical lens reduces glare, improves optical performance and provides comfortable lighting effects. The light is equipped with an external quick-mounting plate suitable for standard J-BOX mount and also compatible with a 3/4" pendant mount, with 1/2" knock-out holes are reserved on three sides, suitable for surface conduit wiring installation. Canopy light also has high return benefits, it supports 4-lumen package selectable (100%, 80%, 60%, 40%); and three CCTs selectable (3000K, 4000K, 5000K).



## FEATURES:

- SKU: NUR-CNPY-CCT-60W-DIM
- One-piece die-cast aluminum housing secures the thermally conductive LED panel and electrical chamber.
- Casting thermally conducts LED heat to optimize performance and long life.
- With corrosion-resistant powder coating that provides protection and architectural appearance while adapting well to the environment in the garage.
- Light engines are available in color tunable version, the CCT can be changed to 3000K/4000K/5000K.
- Anti-UV prismatic translucent lens is designed to shape the light distribution and uniformity.



## APPLICATIONS:

- Commercial Buildings
- Building Entrances
- Breezeways
- Indoor Parking Lots
- Retail
- Educational Facilities

## TECHNICAL SPECIFICATIONS:

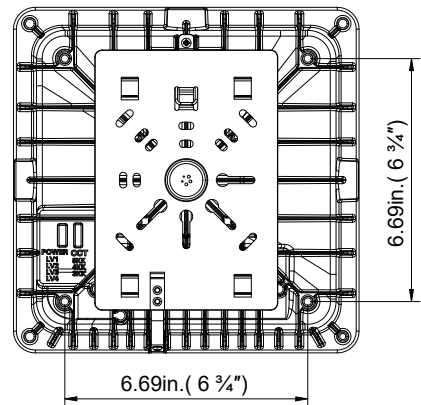
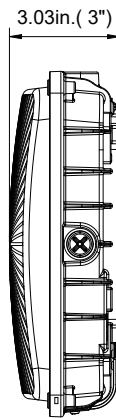
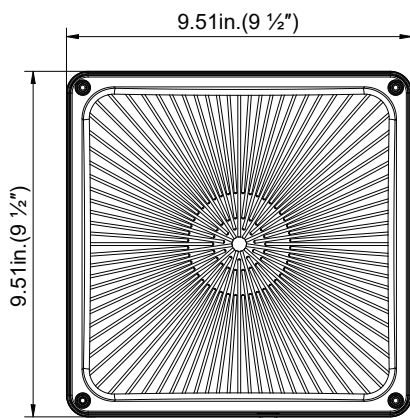
Input Voltage	120-277VAC	120-347VAC
Wattage	60W	
Color Temperature	3000K/4000K/5000K	
Lumens (3000K)	7800lm	
Lumens Per Watt (3000K)	130lm/W	
Lumens (4000K)	8400lm	
Lumens Per Watt (4000K)	140lm/W	
Lumens (5000K)	8000lm	
Lumens Per Watt (5000K)	133lm/W	
Dimming	0-10V	
CRI	70	
Operating Temperature	-40°F to 104°F	

**ADJUSTABLE LUMEN OUTPUT:**

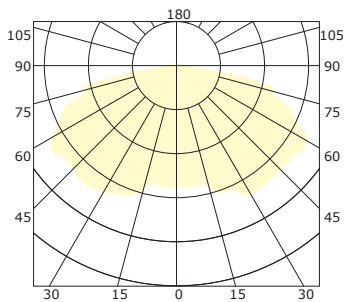
SETTING	SETTING WATTS	LUMENS (3000K)	LPW (3000K)	LUMENS (4000K)	LPW (4000K)	LUMENS (5000K)	LPW (5000K)
100%	60W	7800lm	130lm/W	8400lm	140lm/W	8000lm	133lm/W
80%	48W	6500lm	135lm/W	7000lm	146lm/W	6600lm	138lm/W
60%	36W	5200lm	144lm/W	5600lm	156lm/W	5300lm	147lm/W
40%	25W	3700lm	148lm/W	4000lm	160lm/W	3800lm	152lm/W

**ELECTRICAL DATA:**

Number Of Drivers	Driver Current (mA)	Nominal Power (W)	Input Voltage (V)	Current (Amps)
1	900	60	120	0.50
		60	208	0.29
		60	240	0.25
		60	277	0.22
		60	347	0.17

**DIMENSIONS:**


Net Weight: 3.88 lbs

**PHOTOMETRICS:**


**ACCESSORIES (OPTION):**

Emergency Battery Backup  
Wattage: 5W  
Lumens: 800lm  
Time: 90min



PIR Sensor, 120-277V  
External sensor can be pre-installed in factory or field installed.



Microwave Sensor, 12V  
Sensor can be built-in fixture.

