

# EMERGENCY EXIT SIGN COMBO - 2 SQUARE LIGHT HEADS - RED LETTERS

## DESCRIPTION:

The Emergency Exit Sign presents an effective solution for ensuring safe egress in critical situations. Equipped with an ultra-bright LED and a lead-acid battery, this 4W sign delivers over 90 minutes of reliable emergency illumination. Its dual square lights are strategically designed to provide ample lighting during emergencies, enhancing visibility and facilitating secure exits.



## FEATURES:

- Dual Square Light Heads: Provides ample illumination during emergencies.
- Versatile Mounting Options: Can be mounted on walls or ceilings for flexible installation.
- High Visibility: Red lettering with directional arrows ensures quick recognition and guidance.
- Ultra-Bright LED Technology: Delivers high-intensity lighting for clear visibility.
- Automatic Activation: Lights up immediately upon power failure for reliable emergency response.
- Durable Construction: Built to withstand various indoor environments, ensuring longevity and reliability.

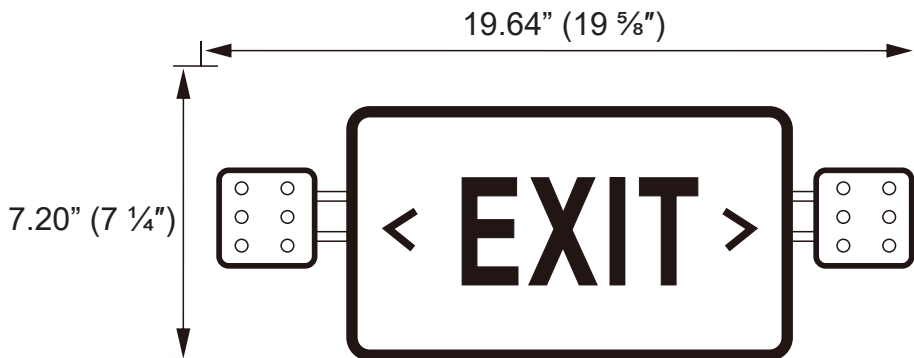
## TECHNICAL SPECIFICATIONS:

Input Wattage	4W
Input Current	0.03A
Efficiency	0.97P
Recharge Time	24 hours
Output Wattage	2 x 2W
Light Source	Ultra-bright LED
Battery	Lead-Acid, 3.6V/600mAh
Emergency Duration	>90 minutes

## APPLICATIONS:

- Offices
- Hospitals
- Schools
- Warehouses
- Factory

## DIMENSIONS:



## IMPORTANT SAFEGUARD:

Ensure all power sources are disconnected before installation to prevent electrical shock or damage.

## SAFETY INSTRUCTIONS:

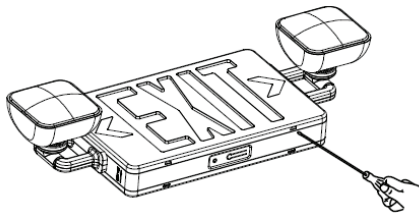
- Read and follow all safety instructions.
- Disconnect power before performing any work on the equipment.
- For indoor use only; do not use outdoors.
- Keep power cords away from hot surfaces.
- Do not install in hazardous locations or near gas or electric heaters.
- Use only manufacturer-recommended accessories to avoid voiding the warranty.
- Use this equipment only for its intended purpose.
- Servicing should be performed by qualified personnel.
- Mount the equipment in locations and at heights where it will not be tampered with by unauthorized personnel.

## MOUNTING INSTRUCTIONS:

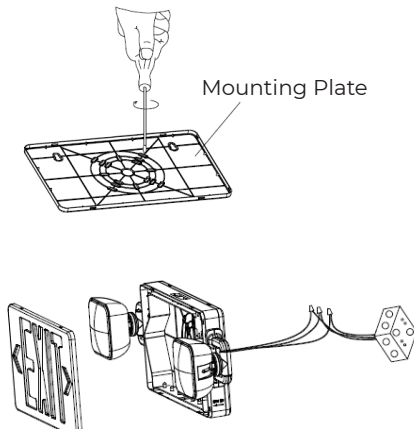
**Note:** Ensure the power is turned off before starting.

### WALL MOUNTING:

1. Use a screwdriver to open the EXIT housing and diffuser.

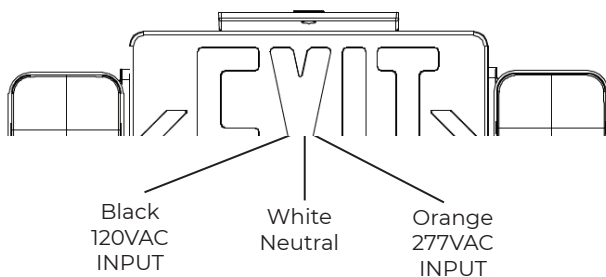


2. Create an opening in the back of the mounting plate and thread the wires through.



3. Connect the supply leads appropriately:

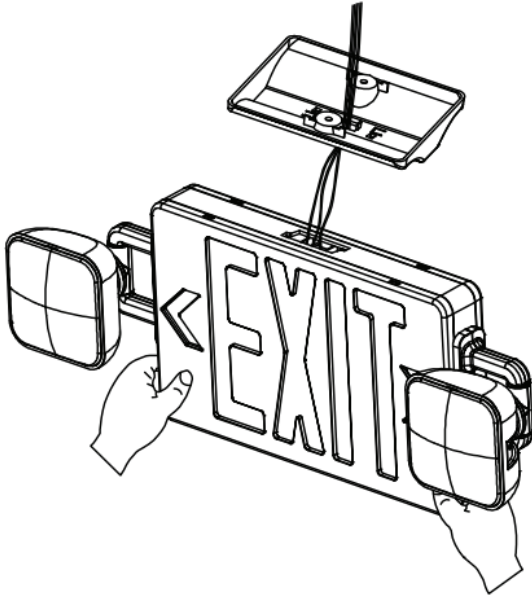
- For 120V AC, attach the black and white leads to the building's power supply.
- For 277V AC, attach the orange and white leads to the building's power supply.
- Secure any unused wires.
- If the unit is self-powered, connect the battery terminals.



4. Attach the fixture to the mounting plate, making sure no wires are pinched. Ensure the unit is securely fastened.
5. Restore power and press the test button. The battery-powered LED should illuminate, and the AC light should turn off.

### **CEILING MOUNTING:**

1. Open the EXIT housing and create an opening at the top of the fixture.
2. Create an opening at the top of the mounting plate and thread the wires through.



3. Follow steps 3-5 from the wall mounting instructions for ceiling installation.