

DOUBLE WIDE DEEP RECESSED ALUMINUM CHANNEL

DESCRIPTION:

The Double Wide Deep Recessed Aluminum Channel is designed to house LED strip lights up to 0.94 inches wide. It provides efficient heat dissipation to protect LEDs from overheating, making it ideal for various lighting applications in offices, conference rooms, supermarkets, and homes.

FEATURES:

- Constructed from durable AL6063 aluminum
- Anodized surface for enhanced durability
- Efficient heat dissipation design
- Easy installation for various settings
- Sleek and modern appearance



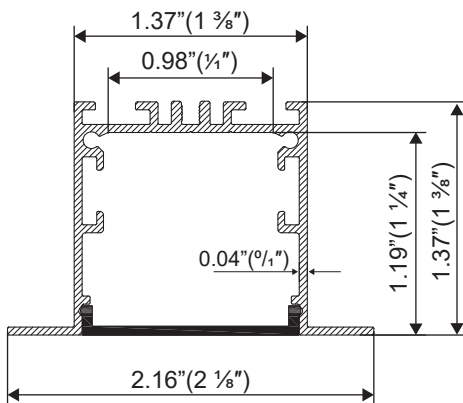
APPLICATIONS:

- Offices
- Conference rooms
- Supermarkets
- Home lighting
- Cove lighting

TECHNICAL SPECIFICATIONS:

Material	AL6063 Aluminum with PC/PMMA cover
Surface Finish	Silver Anodized
Compatible LED Strip Width	0.94 inches
Maximum Length	6.4ft.

DIMENSIONS:



ACCESSORIES (SOLD SEPARATELY):

Double Wide Deep Recessed Channel Bracket
SKU: AE-A035-MNT



Double Wide Deep Recessed Channel End Cap
SKU: AE-A035-CAP



Double Wide Deep Recessed Channel Cover (Clear or Frosted)
SKU: AE-A035-CVR-CLR-2M
AE-A035-CVR-FRS-2M



Double Wide Deep Recessed Channel Connector Bracket
SKU: AE-A035-CONN-I
AE-A035-CONN-L-FLAT
AE-A035-CONN-L-OUT

INSTALLATION: