

ADJUSTABLE SQUARE 2 HEAD 90 MINUTE EMERGENCY LED LIGHT

DESCRIPTION:

This Emergency LED Light features two adjustable square heads for customizable illumination during power outages. It provides reliable emergency lighting for 90 minutes, powered by a built-in 3.6V nickel-cadmium battery. The unit is made from fire-resistant thermoplastic and is UL-94V-0 flame-rated for safety. Its durable construction makes it ideal for commercial environments, and it provides support for easy installation and wall mounting.



FEATURES:

- Adjustable Square Heads: Offers flexible positioning for optimal light coverage.
- 90-Minute Battery Backup: Equipped with a 3.6V/600mAh Nickel Cadmium battery for reliable emergency lighting.
- Fire-Resistant Housing: Made from UL94V-0 flame-rated thermoplastic for enhanced safety.
- Durable Construction: Designed to withstand the demands of commercial use.
- Easy Installation: Simple, fast setup with a universal J-box mounting pattern.
- Dual Voltage Operation: Supports both 120V and 277V AC power inputs.
- Indoor Use: Suitable for damp locations, from 41°F to 104°F.
- Test Switch and Charge Indicator: Allows for easy testing and monitoring of the battery charge.

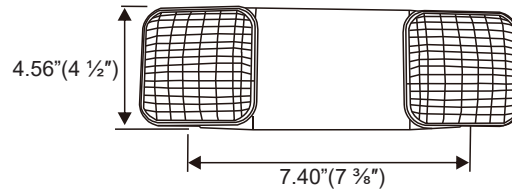
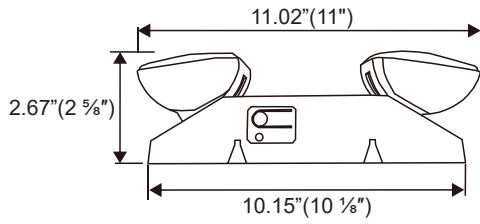
APPLICATIONS:

- Commercial and industrial spaces
- Hallways, stairwells, and exit paths
- Offices and warehouses
- Indoor damp locations

TECHNICAL SPECIFICATIONS:

Input Voltage	120V/277VAC, dual voltage
Input Wattage	2.4W
Emergency Output	2 x 1.2W ultra-bright LED lamp heads
Luminous Flux	>150 lumens
Battery	3.6V/600mAh Nickel Cadmium
Emergency Operation	>90 minutes
Recharge Time	24 hours
Input Current	0.02A
Efficiency	0.97P
Operating Temperature	41°F to 104°F
Mounting	Wall-mount with universal J-box pattern
Certifications	UL-94V-0 flame-rated, damp location listed

DIMENSIONS:



IMPORTANT SAFEGUARDS:

When using electrical equipment, always adhere to the following safety precautions:

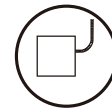
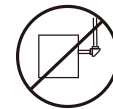
Carefully read and follow all safety instructions.

1. Disconnect the power supply before installation or maintenance.
2. This product is for indoor use only; do not use outdoors.
3. Ensure power cords are kept away from hot surfaces.
4. Do not install in hazardous environments or near gas or electric heaters.
5. Only use accessories recommended by the manufacturer; otherwise, it may cause damage and void the warranty.
6. Use this equipment solely for its intended purpose.
7. All servicing should be carried out by qualified professionals.
8. Install the equipment in locations and at heights that prevent tampering by unauthorized personnel.
9. Charge the battery for 24 hours before initial use.

INSTALLATION (J-BOX MOUNTING):

1. Disconnect the AC power before starting the installation.
2. Feed the fixture leads through the main bottom case and connect them to the AC power supply (refer to Fig A).
3. Route the wires through the J-box and secure the main bottom case to the J-box using screws.
4. Connect the battery only after ensuring that continuous AC power is supplied to the unit (refer to Fig B).
5. Align the snaps and firmly push the housing onto the main bottom case (refer to Fig C).
6. Restore AC power and press the "TEST" button to verify the light is functioning properly.

Warning: Unused wires must be capped with the enclosed wire nuts.



← FLEXIBLE CONDUIT ONLY

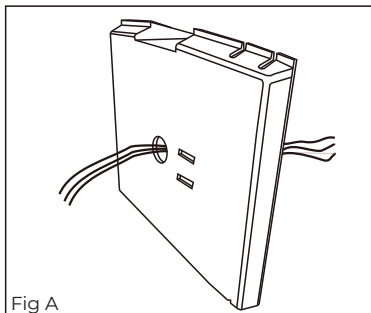


Fig A

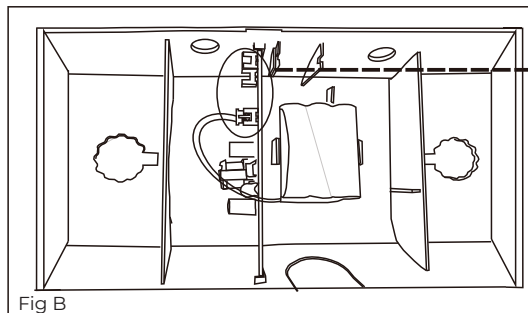


Fig B

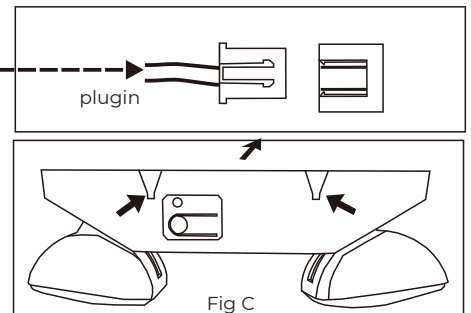


Fig C

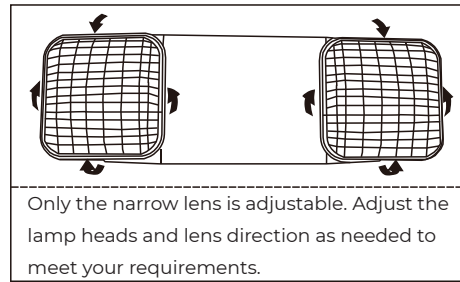
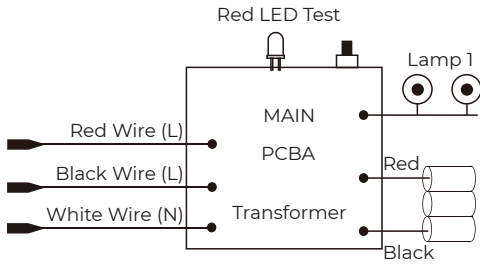
INSTALLATION (CONDUIT):

1. Secure the main bottom case to the wall surface.
2. Route wires through the hole in the conduit flange and make the conduit connection.
3. Connect the battery only after continuous AC power is available to the unit (see Fig B).
4. Align the snaps and push the housing directly onto the main bottom case (see Fig C).
5. Apply continuous AC power and press the "TEST" button to verify the light is functioning properly.

OPERATION:

1. In the event of an electrical power failure, the lamps will automatically illuminate for a minimum of 90 minutes.
2. To test the emergency function, press the "TEST" switch. The emergency lamps will turn on. Releasing the switch will turn the lamps off.

WIRING DIAGRAM: ADJUST LAMP HEADS AND LENS:



INSTALLATION DIAGRAM:

	<p>1</p> <ol style="list-style-type: none"> 1. Use a flathead screwdriver to remove the front cover, then remove and discard the canopy kit. 2. Feed the excess wiring into the junction box. 3. The system supports input voltages of 120VAC or 277VAC. Connect the black wire (line voltage) and white wire (neutral) to the building power supply. Connect the green wire to ground. 	<p>2</p> <ol style="list-style-type: none"> 1. Use the junction box screws to mount the spider plate onto the junction box.
<p>3</p> <ol style="list-style-type: none"> 1. Punch out the appropriate hole pattern in the backplate to align with a standard junction box. Place support on both sides of the knockout areas, then use a screwdriver to remove them. 2. Route the AC supply wires through the center hole of the backplate. 	<p>4</p> <ol style="list-style-type: none"> 1. Make the necessary electrical connections. 2. Connect the battery only after AC power has been supplied to the unit. 3. Align the snaps and securely attach the housing onto the backplate. 	<p>5</p>