

RGB+CCT SMART GARDEN LIGHT - 6W

DESCRIPTION:

The RGB+CCT Smart Garden Light 6W capable of displaying colors and adjust the color temperature from 2700K - 6500k. This 6W light is Compatible with ORA SMART GATEWAY. Ideal for landscaping and outdoor applications.

FEATURES:

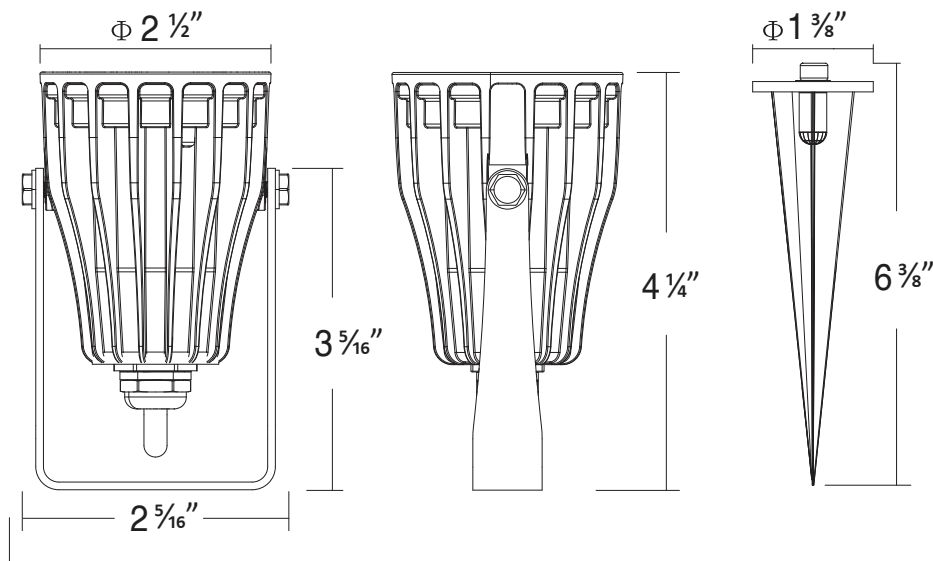
- 16 Million Color Combinations
- CCT: 2700-6500K.
- Smooth Dimming and Color Blending
- Brightness: 550 lumens.
- Spotlight: 15° Beam Angle
- Illumination Distance: Over >32.8ft (10m).
- Control Distance: Up to 98.4ft (30m).
- Signal Mesh with Mode Synchronization
- Waterproof: Rated IP66 for high pressure water jets
- Lifespan: 50,000
- Warranty: 3-year warranty.



APPLICATIONS:

- Garden Lighting Control.
- Decorative Lighting.
- Accent Lighting.
- Commercial Lighting.
- Color Changing Lights

DIMENSIONS:

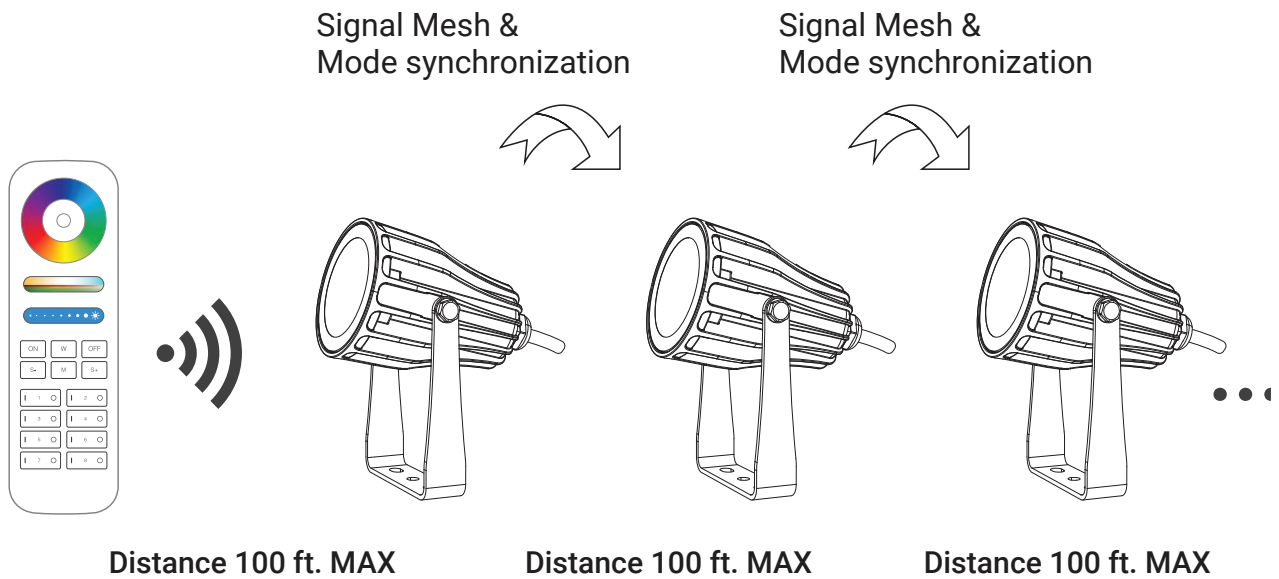


TECHNICAL SPECIFICATIONS:

Model No.	MILI-GL-6W-RGBCB-OD-120V
Input Voltage	AC100~240V 50/60Hz
Power	6W
Working Temperature	-4°F~113°F
Color Temperature	2700K~ 6500K
Color Changing	RGB+CCT
Lumens	550LM
Light Efficiency	90LM/W
CRI	>80
PF	0.5
Beam Angle	25°
Illumination Distance	>32.8 ft.
IP Rate	IP66
RF	2.4GHz
Product Weight	5.20 lbs
Control Distance	98.4 ft

SIGNAL MESH

Any ORA product can repeat signals or relay signals from a WIFI Controller or an RF Remote within a 98.4 ft. distance to other ORA products. This signal transmission can happen multiple times, between lights on different zones, or lights being controlled by different remotes. All ORA products form a RF mesh to allow for easier and faster transmission of commands.



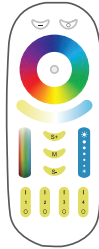
LINK/UNLINK:

Compatible with these remote controls (Purchased separately)

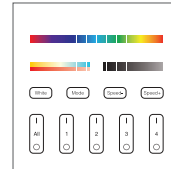
ORA RGB+CCT 8 Zone Remote
SKU: MILI-REM-RGBWW-8Z



ORA RGB+CCT 4 Zone Remote
SKU: MILI-REM-RGBWW



ORA 4 Zone RGB+CCT Panel Remote
SKU: MILI-REM-RGBWW-WALL-4Z



RGB+CCT 8 Zone Touch Panel Wall Remote
SKU: MILI-REM-RGBWW-WALL-8Z



**Light can work after linking with the remote;
 for more details, please read the remote instruction.**

ATTENTION:

1. When installing the light fixtures, please switch off the power.
2. Check whether the input voltage supply is in accordance with the lighting fixture required voltage.
3. Do not open up this product. Disassembling this product will void the warranty
4. For use in temperatures within -4-113°F; do not use this product in direct sunlight, or in areas where pressurized water will be sprayed on the product.
5. All control distances are max. In cases where other RF signals are within the same range, interference may occur.
6. Do not use the lighting fixtures in high vibration areas.
7. Do not operate this fixture unless it is open to the environment. Not for use in enclosures or in contact with Insulation.
8. NON-DIMMABLE. NOT FOR USE WITH ANY WALL DIMMER.