

RF AND WIFI RGBW WALL MOUNTED TOUCH PANEL LED CONTROLLER

DESCRIPTION:

The RF and WIFI RGBW Wall Mounted Touch Panel LED Controller offers a comprehensive solution for controlling lighting through multiple receivers in a single zone, either simultaneously or separately. Its highly responsive full touch panel features a color wheel that allows you to select from 10 dynamic patterns and independently dim the R, G, B, or W channels, enabling you to create a wide range of colors. Additionally, the controller can be controlled via WIFI by downloading its app on IOS or Android devices.



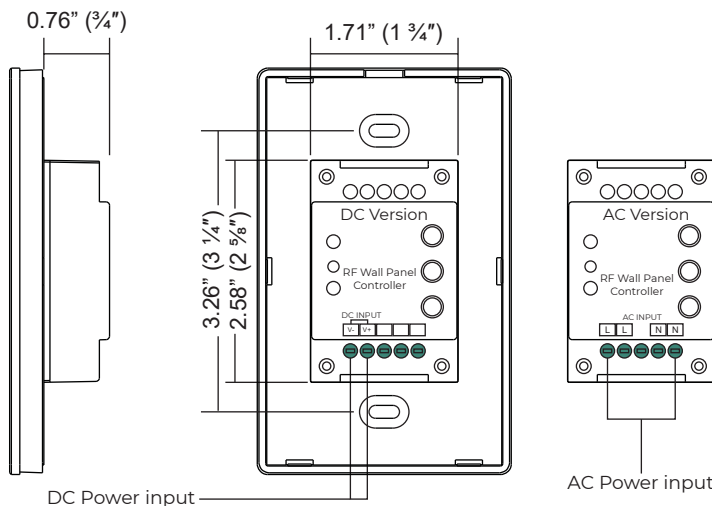
FEATURES:

- User-friendly interface with easy operation
- Operation return function
- Control one zone with unlimited receivers; each receiver can be controlled by up to eight remotes
- 10 preset changing modes with pause function
- Synchronization function for consistent pattern changes
- WiFi control with iOS and Android app
- Independent dimming for R, G, B, and W channels to mix millions of colors
- Available in both DC and AC input versions

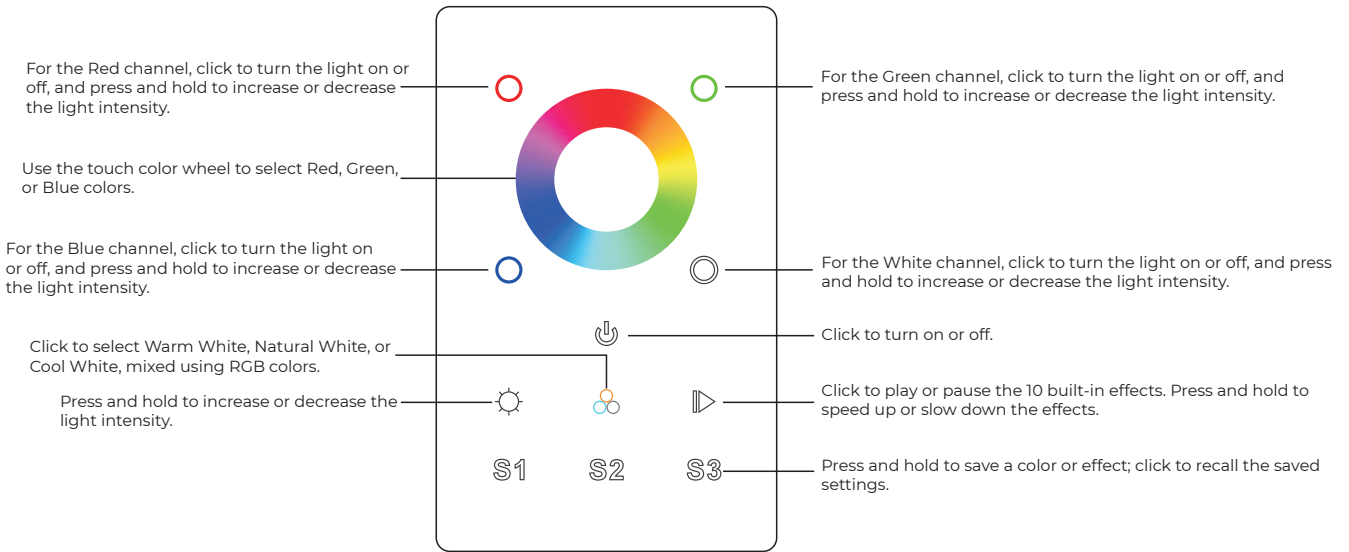
TECHNICAL SPECIFICATIONS:

Input Voltage	100-240VAC
Output Voltage	12-24VDC
Output Signal	RF signal
Power Consumption	20 mA
Operating temperature	32°F - 104°F
Relative humidity	8% to 80%
Radio frequency	916.5MHz
IP grade	IP20

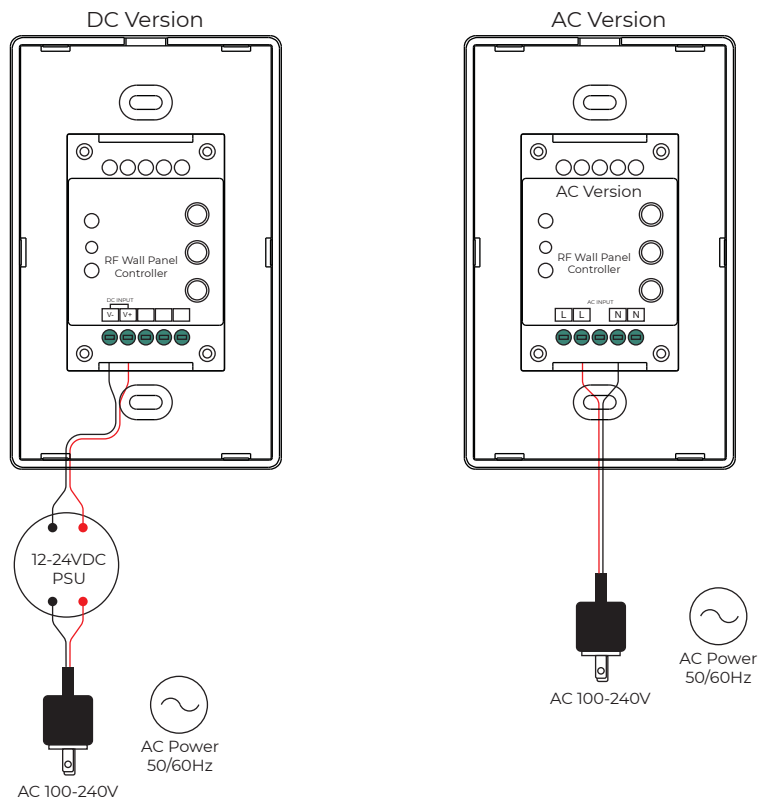
DIMENSIONS:



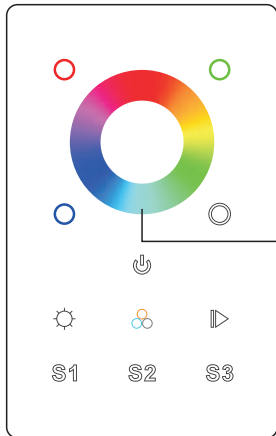
FUNCTION INTRODUCTION:



WIRING DIAGRAM:



PAIR WITH RF RECEIVER:



Step 1: Click the "Learning Key" button on the RF receiver, or re-power the receiver three times continuously to set it into pairing mode.

Step 2: Touch the color wheel. If the LED lights connected to the RF receiver flicker once, it means the receiver is successfully paired with the wall panel.

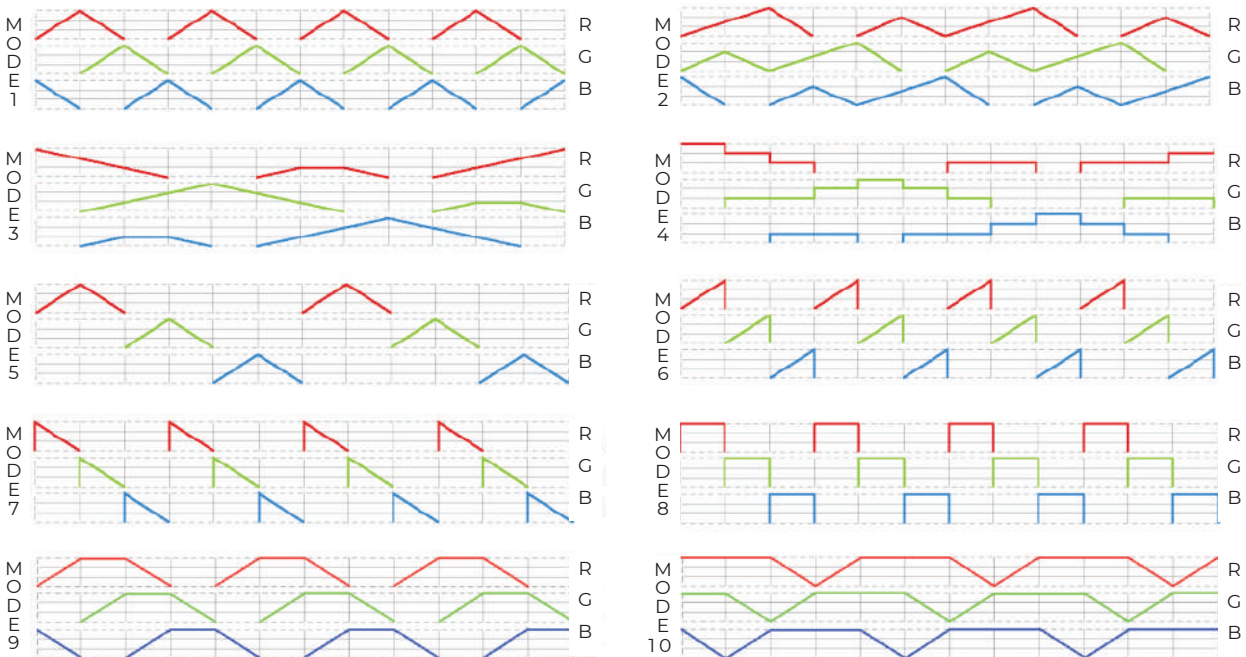
OPERATION:

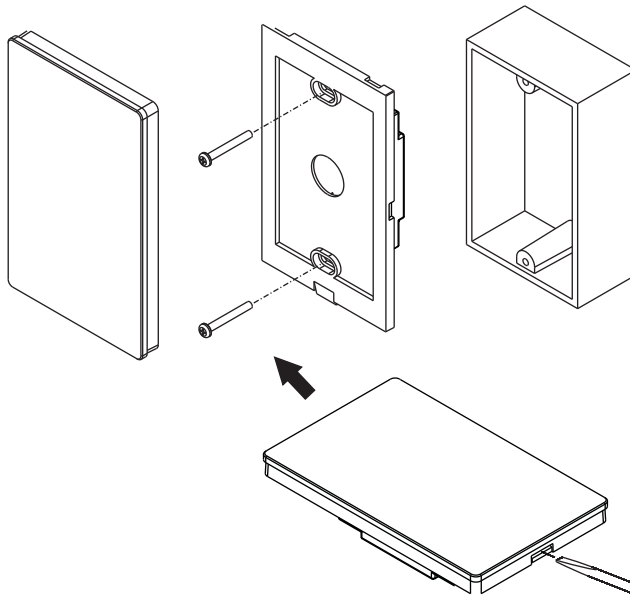
- Wire the wall panel and RF receiver according to the wiring diagram (refer to the RF receiver's instructions for details).
- Power on the system, then touch the button to turn on the controller. The controller's indicator will turn blue.

COLOR CHANGING MODES:

The built-in 10 color-changing modes are as follows:

- Mode 1: Any two RGB colors mix, fading in and out
- Mode 2: RGB three colors mix, fading in and out
- Mode 3: RGB three colors mix, fading out and in
- Mode 4: RGB flash
- Mode 5: RGB three colors fade in and out successively
- Mode 6: RGB three colors fade in successively
- Mode 7: RGB three colors fade out successively
- Mode 8: RGB three colors jump change successively
- Mode 9: R and B mix fade (R in, B out), then G fades in, then R and B mix fade (R out, B in), then G fades out
- Mode 10: B fades out, then G and B mix fade (G out, B in), then R and G mix fade (R out, G in), then R fades in



INSTALLATION:**SAFETY AND WARNING:**

- Please ensure that the main power is turned off prior to installing the device.
- Avoid exposing the device to moisture.

**COMPATIBLE RECEIVER:
RGBW 4 CHANNEL CONTROLLER (RF) SR SERIES:**

- SKU: CONT-SR-1009FA
- Input Voltage: 12-36VDC
- Wattage: 240-720W
- Sold Separately

