

LED POST TOP LIGHT

Features:

- Simple shape and solid material.
- Efficacy higher than 120 lm/W with zero uplight.
- Optional for single and double arm mounting.
- Install on poles which top diameter limited to 2-3/8" or 3".
- Suitable for installation heights of 8-20 feet.
- Projected over 50,000 hrs life span.



Technical Specifications:

- Wattage: 87W
- Input Voltage: 120-277V AC
- Color Temperature: 4000K
- Lumens Output: 10600lm
- Lumens Per Watt: 122lm/w
- CRI: 70
- Photometry: General
- 1-10V dimming.
- Operating temperature: -40 °F to 113 °F (-40 °C to 45 °C)



Round shed light
Glow soft light down. Type V
(symmetric) distributions.

Lamp foot
Slim and elegant arc is both
aesthetical and practical.

Light pole connector
Matching 2 3/8" or 3" diameter
round pole. Rugged and durable
against vibration.

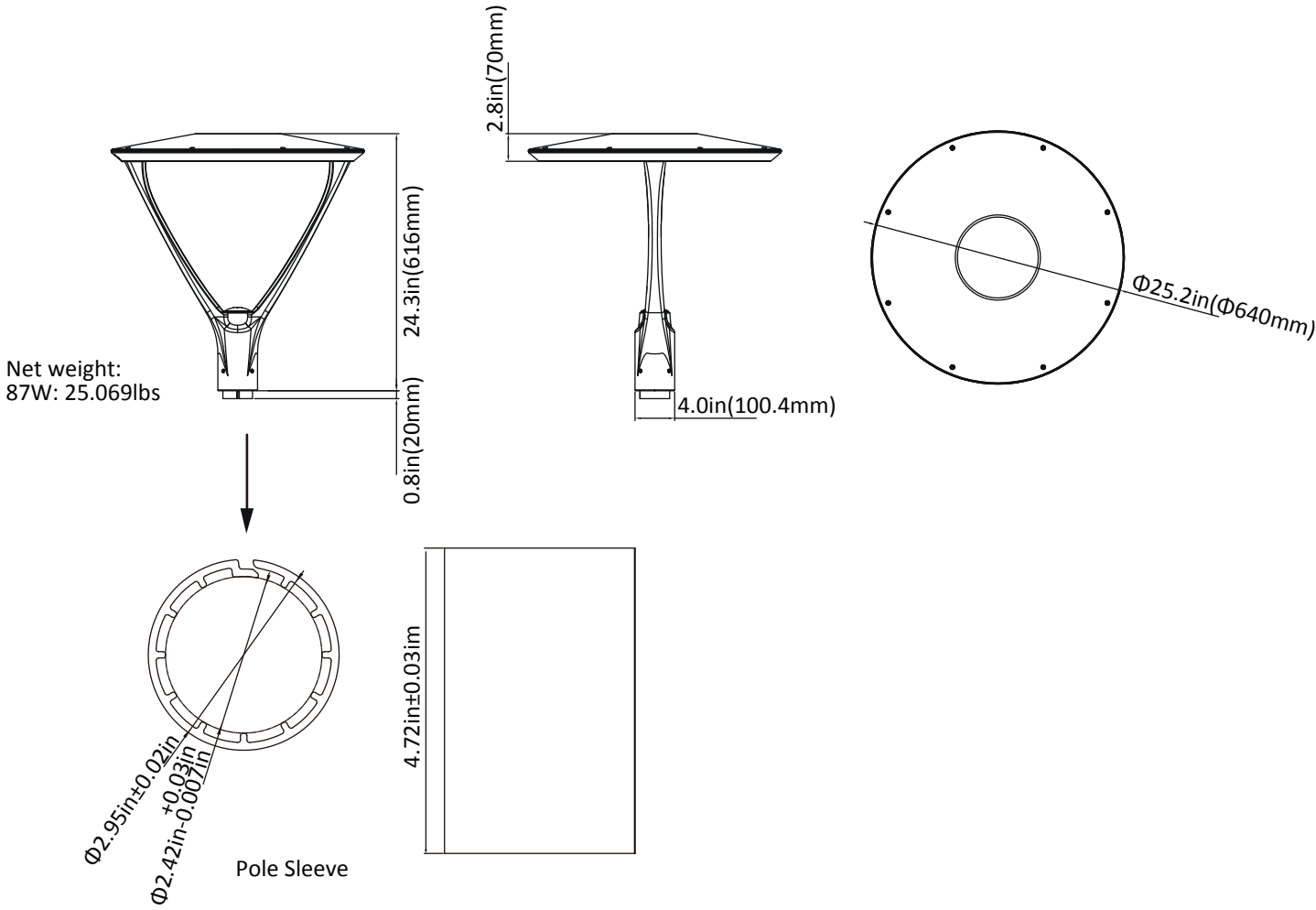
Light pole
Provided by others.



Applications:

- Suitable for greenbelts
- Walking pathways and pedestrian plazas
- Building perimeters requiring a proper light source.

Dimensions:



ELECTRICAL DATA				
Number Of Drivers	Current Drive (mA)	Nominal Power (W)	Input Voltage (V)	Current (Amps)
2	2240	87	120	0.73
		87	208	0.42
		87	240	0.36
		87	277	0.31



ORDERING GUIDE				Example: NUR-PL01-87W-4000K-WHT
Fixture Type <input type="text"/>	Wattage <input type="text"/>	Color Temperature <input type="text"/>	Finish <input type="text"/>	
PL01 LED Post Top Light	87W	4000K	WHT (White) BNZ (Bronze)	

DLC Model No.				
System Watts	Voltage	CCT	DLC No.	DLC Classification
87W	120-277V	4000K	MPL0187W27V40K[D,B,W][Blank,P0][Blank,M]D[Blank,0-9,A-Z,a-z]	Premium
			MPL0187W27V40K[D,B,W][Blank,P0][Blank,M][Blank,0-9,A-Z,a-z]	Premium