

EXIT SIGN LIGHT-RED

DESCRIPTION:

This 4W red exit sign Light mostly suitable for stairways and hall ways of commercial, educational and health care buildings. For sleek and professional look it features a high grade acrylic face. Main purpose is to provide visibility and direction during emergencies.



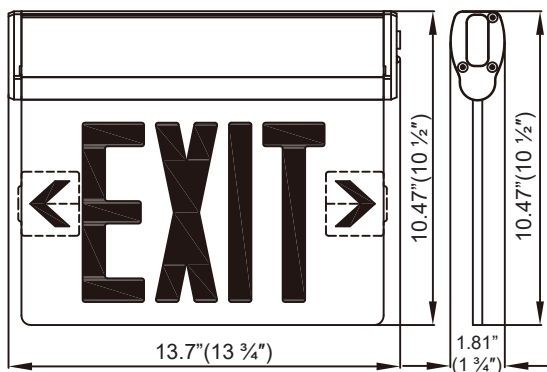
TECHNICAL FEATURES:

- Input Wattage: 4W
- Input Current: 0.06A
- Efficiency: 0.96P
- Recharge Time: 24 hours
- Output Wattage: 1W
- Battery: Ni-Cd 3.6V/600mAh
- Emergency Duration: Over 120 minutes
- LED Quantity: 8 red LEDs
- Compliance: Meets UL 924, NEC, OSHA, and NFPA 101 Life Safety Code standards.
- Damp Location Rated: Suitable for use in damp locations.
- Versatile Mounting Options: Can be installed on walls, sloped, high, standard ceilings, and recessed mounts.
- Premium Construction: Durable aluminum housing with a high-grade acrylic face.
- Customizable Arrows: Field installable arrows for left, right, or both directions.
- Efficient LED Illumination: Long-life LED lights for bright, energy-efficient illumination.
- Battery Backup: Includes a test switch and charge rate indicator.
- Dual Voltage Operation: Compatible with 120V and 277V power systems.
- Non-CEC Compliant: Note that this model is non-CEC compliant.

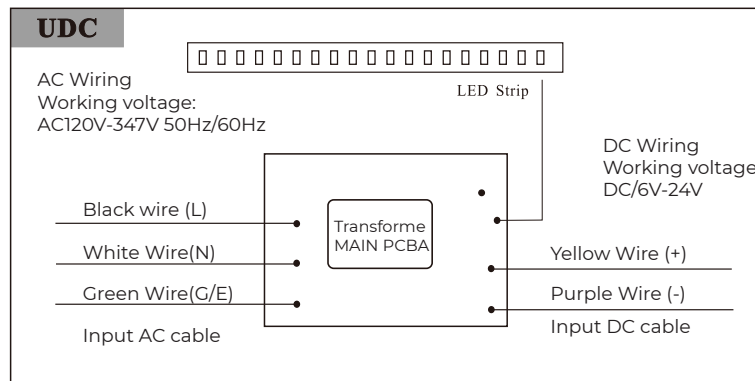
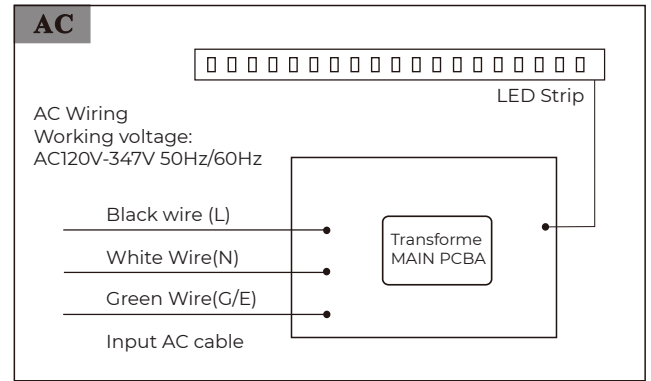
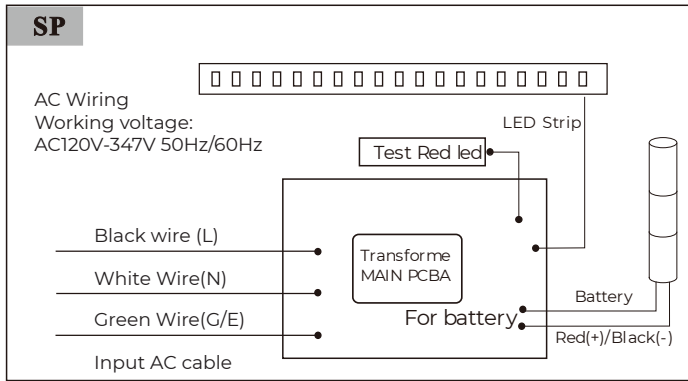
APPLICATIONS:

- Commercial Buildings
- Educational Institutions
- Healthcare Facilities
- Public Buildings

DIMENSIONS:



WIRING DIAGRAM:



SAFETY INSTRUCTIONS:

- General Precautions: Always follow basic safety precautions when using electrical equipment.
- Power Supply: Turn off electricity at the fuse or circuit breaker before wiring.
- Servicing: Disconnect AC power and unplug the battery before servicing.
- Local Codes: Consult local building codes for approved wiring and installation.
- Outdoor Use: Do not use outdoors.
- Heat Sources: Keep the power supply cord away from hot surfaces and do not mount near gas or electric heaters.
- Damaged Fixtures: Do not install a damaged fixture.
- Installation Codes: Install in accordance with applicable installation codes and ordinances.
- Grounding: Proper grounding is required for personal safety.
- Qualified Personnel: All service should be performed by qualified personnel.
- Tampering: Mount equipment in locations and at heights where it will not be tampered with by unauthorized personnel.
- Accessory Equipment: Use only manufacturer-recommended accessories.
- Intended Use: Do not use this equipment for anything other than its intended use.

WARNINGS:

- Electric Shock: Never connect to, disconnect from, or service while equipment is energized.
- Fire Risk: Keep combustible materials away from hot parts. Follow lamp manufacturer's warnings and recommendations.
- Abrasive Materials: Do not use abrasive materials or solvents as they may damage the fixture.
- Personal Injury: Wear gloves to prevent cuts or abrasions when handling the product.

FEATURES & SPECIFICATIONS:

- Intended Use: Ideal for New York applications requiring steel exit signs with 8" letter height and emergency lighting.

Construction:

- Aluminum housing.
- Uniform graphical illumination without shadows or hot spots.
- Letters are 8" high with a 1" stroke, providing a 100 ft viewing distance, based on UL924 standards.
- New York City Approved.
- **Note:** The battery may not be fully charged upon delivery. Allow the battery to charge for at least 24 hours after connecting to electricity for normal operation.

INSTALLATION INSTRUCTIONS:

WALL MOUNTING:

1. Prepare AC Supply: Extend an unswitched 24-hour AC supply of rated voltage to a junction box (supplied by others) installed per applicable codes and standards. Leave at least 8 inches of slack on the wire. Ensure the circuit is not live.
2. Remove Canopy Kit: Discard the canopy kit located inside the sign cavity (Fig. 1).
3. Prepare Knockouts: For direct installation over an electrical junction box, use the universal spider knockouts on the backplate. Alternatively, use the conduit knockouts on the top and side for surface wire conduit connection (Fig. 2). Knock out the appropriate holes and bring wires through the hole and outside the sign.
4. Mount Unit: Securely mount the unit. Do not rely solely on electrical connections for support; use the supplied keyhole mounting slots (Fig. 2).
5. Wiring Connections: Connect the AC supply to the unit's transformer:
 - White: Neutral
 - Black: Line (120V-347V)
 - Green: Ground
6. Caution: Insulate unused wires to prevent shock hazards or unsafe conditions.
7. Secure Wires: Ensure all internal wires are secured.
8. Final Mounting: Securely mount the sign.
9. Power On: Turn on the AC line voltage supply.

CEILING OR END MOUNT (SINGLE OR DOUBLE FACE):

- Follow Wall Mounting Steps: Follow steps 1 to 3 of Wall Mounting, but do not discard the canopy kit.
- Prepare Knockouts: Knock out the appropriate set of three holes for ceiling or end wall mount (Fig. 3).
- Wire Pass-Through: Feed all wiring through the wire pass-through hole.
- Complete Installation: Follow steps 4 to 8 of Wall Mounting to complete the installation.
 - Note: Secure the canopy to the sign using the supplied hardware. Mount the sign securely to the wall or ceiling. The hole spacing in the canopy fits most standard electrical junction boxes. A steel, universal spider plate is supplied for alternate size/type boxes (Fig. 4).
- End Mount Option: Not available for bilingual signs.

OPERATION:

- AC Only & AC/DC Models: The sign will illuminate when supplied with power.
- Internally Self-Powered Models:
 - Testing: Press the TEST switch. The AC indicator will turn off, and the LEDs will switch to battery power.
 - Reset: Release the TEST switch. The LEDs will switch back to AC power, and the AC indicator will turn on.

MAINTENANCE:

- Regular Testing:
 - Test the equipment every 30 days for 30 seconds.
 - Maintain written records of all test results and repairs.
 - Annually, test the equipment for the required duration as per code.
 - Replace the battery or repair the equipment if it fails to operate as intended during the duration test.
 - Compliance with all code requirements is strongly recommended.
- Cleaning: Clean lenses regularly to ensure maximum light distribution during emergencies.
 - Note:** Servicing should be performed by qualified personnel only. Using replacement parts not provided by the manufacturer may cause equipment failure and void the warranty.

TROUBLESHOOTING:

SIGN DOES NOT LIGHT UP/TURN ON:

- Check AC Supply: Ensure the unit has a 24-hour AC supply (unswitched).
- Check AC Connector: Ensure the transformer/capacitor input power assembly is connected to the LED circuit board with the plastic connector. The connector should lock into place when inserted correctly.
- Check AC Connections: Ensure the input voltage wiring matches the markings on the transformer/capacitor assembly wires.
- LED Board Assembly: If the AC supply and connections are correct and the LEDs still fail to light, replace the LED board assembly.

Fig.1 Panel Sign

