

BRASS UP LIGHT ADJUSTABLE KNUCKLE MOUNT - FOR PAR36 AR111 LAMP

DESCRIPTION:

This 12V antique bronze Brass Up Light Adjustable Knuckle Mount is commonly used to illuminate outdoor spaces. It is made of high-quality die-cast brass material, ensuring durability and longevity. The round design of adjustable knuckle mount makes it perfect for securing gates and illuminating lawn areas, combining functionality with style. This fixture is designed to work with PAR36 bulbs, making it a versatile option for different landscape lighting requirements.



FEATURES:

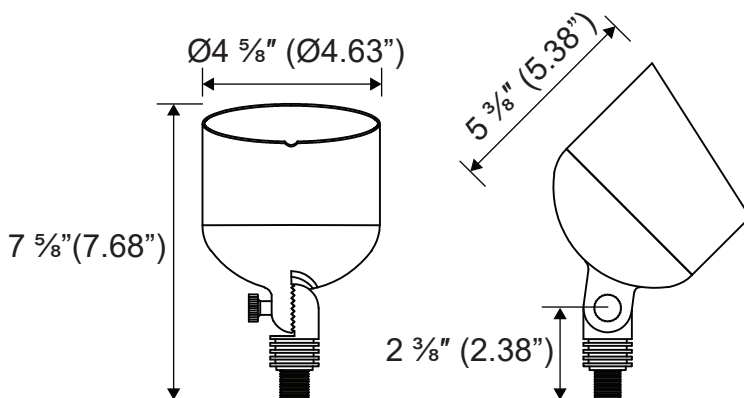
- Pre-Stipped Wire: Facilitates easy and fast wiring
- Drop-In Holder: Simplifies bulb replacement
- LED Ready: Compatible with LED bulbs
- Material: Constructed from die-cast brass for enhanced durability
- Finish: Antique Bronze
- Mounting: Ground stake included for secure installation
- Lens: Clear lens for focused lighting
- Lead Wire: 72" SPT-1W, 18-gauge
- Bulb: Compatible with PAR36 bulb (sold separately)
- Warranty: 5 Year



APPLICATIONS:

- Building lighting
- Tree lighting
- Driveway lighting
- Landscape lighting
- Commercial and residential lighting

DIMENSIONS:



BULB USED WITH THIS FIXTURE:**PAR36 LED BULB WITH AR111 BASE OUTDOOR DAMP LOCATIONS:**

- SKU: NUR-LT1036-PAR36-17W-38D-2700K
NUR-LT1036-PAR36-17W-38D-4000K
NUR-LT1036-PAR36-17W-38D-6000K
- Input Voltage: 9-17V
- Wattage: 17W
- Color Temperature: 2700K, 4000K, 6000K
- Beam Angle: 38°
- IP Rating: IP67
- Sold Separately

