

5" OR 7" ROUND SURFACE MOUNT CEILING LED LIGHT

DESCRIPTION:

The Round Surface Mount Light comes in 5" or 7" sizes and offers CCT adjustable options with color temperatures of 3000K, 4000K, or 5000K. It is compatible with both a junction box and a housing can (sold separately), providing flexible installation options.



FEATURES:

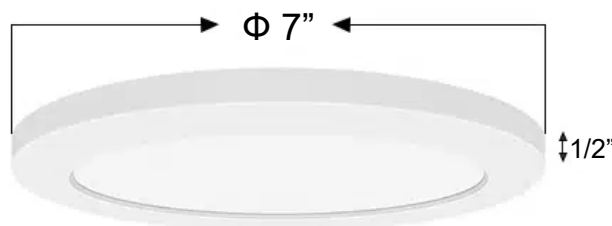
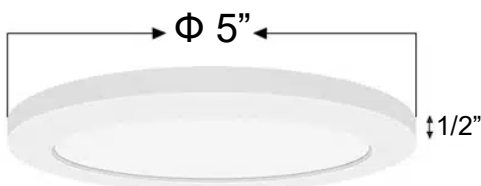
- CCT Adjustable: 3000K/4000K/5000K
- Brightness: 840LM
- Overload/Short Circuit Protection
- Lumen Efficacy: 70 LM/W
- Lifespan: 80,000 hours
- Dimmable: Yes (TRIAC)
- Warranty: 5 years



APPLICATIONS:

- Residential Lighting
- Commercial Lighting
- Office Lighting

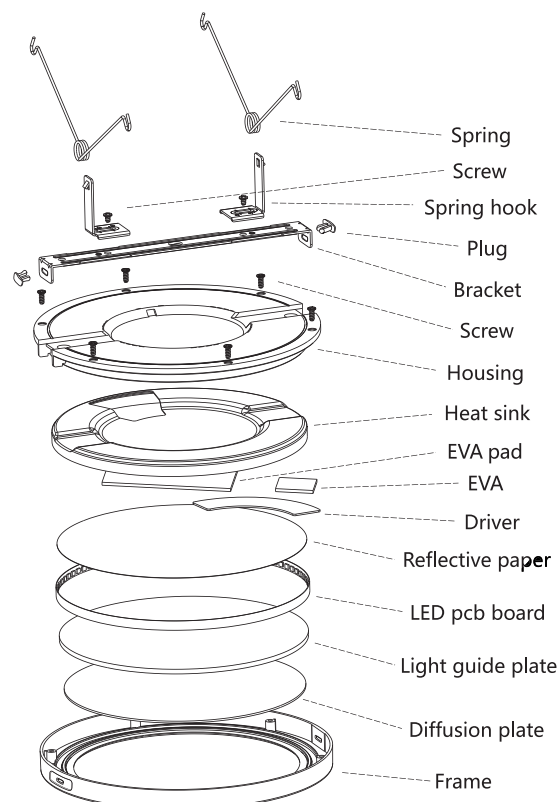
DIMENSIONS:



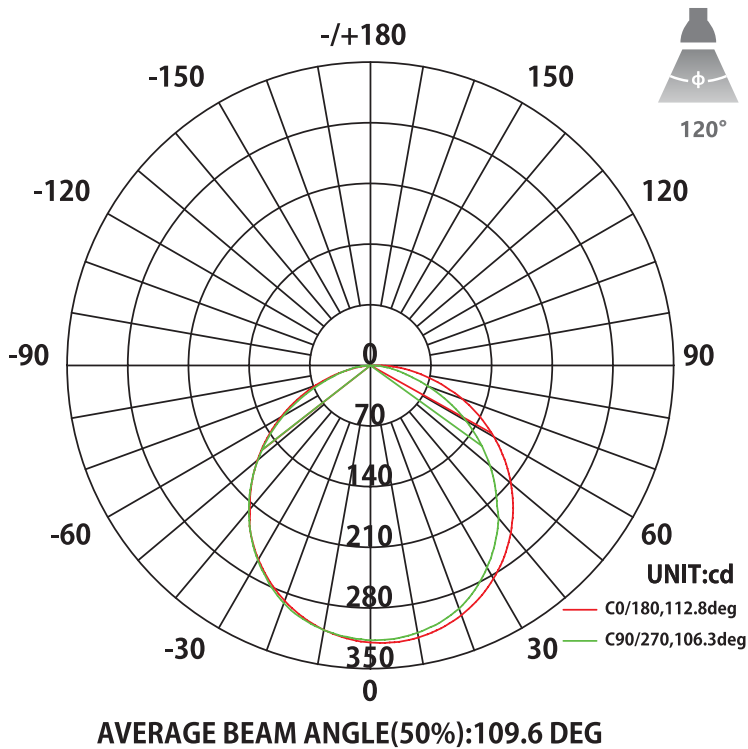
TECHNICAL SPECIFICATIONS:

Size	5 inch	7 inch
Wattage	6W	12W
Input Voltage	120V AC	120V AC
Color Temperature	CCT Tunable (3000K/4000K/5000K)	CCT Tunable (3000K/4000K/5000K)
Lumen Output	840LM	840LM
Working temperature	-4°F to 104°F	-4°F to 104°F
Dimming Type	Triac Dimmable	Triac Dimmable
Beam Angle	120°	120°
CRI	>80	>80
IP Rating	IP20	IP20
Lifespan	80,000 hours	80,000 hours
Certifications	ETL, FCC	ETL, FCC
Warranty	5 years	5 years

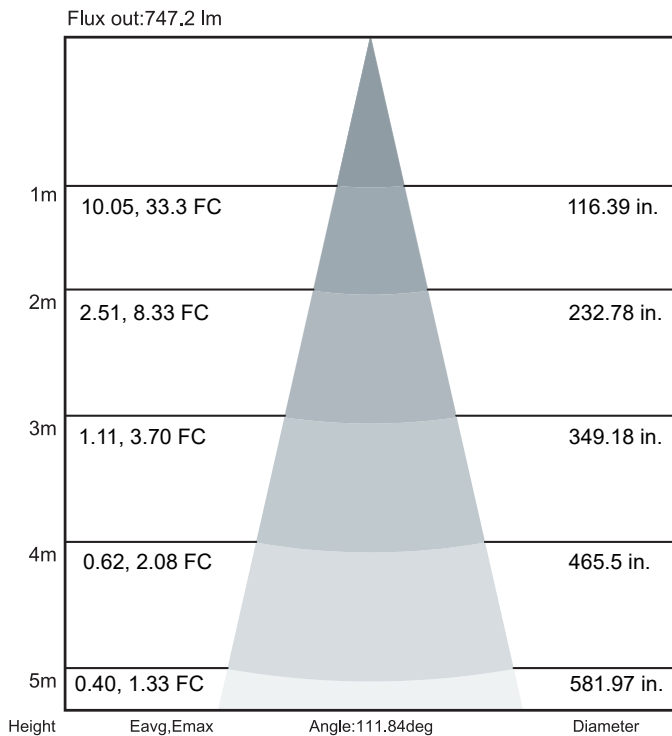
LED LIGHT STRUCTURE:



POLAR CURVERS WIDE DISTRIBUTION:



AVERAGE AND CENTER FIGURE:

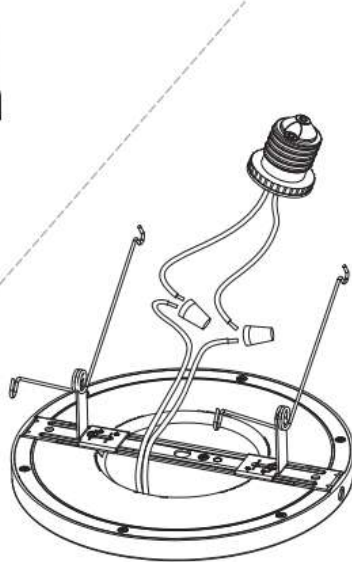


Note: The Curves indicate the illuminated area and the average illumination when the luminaire is at different distances.

SURFACE MOUNTING INSTALLATION:



A.
J-Box installation is applied to 6W/12W/18W/24W mini panel for North American market



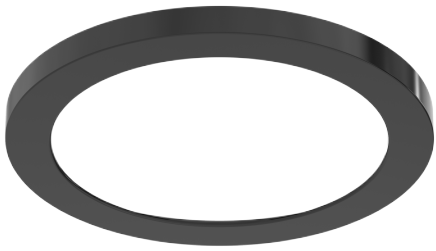
B.
5/6" Can is applied to 12W/18W/24W mini panel for North American market

ORDERING GUIDE		EXAMPLE: NUR-SLSM-R-5-6W-CCT	
Round Surface Mount Ceiling NUR-SLSM-R	Trim Size <input type="text"/>	Watts	Color Temperature CCT
	5 5 inch	6W 6 Watts	
	7 7 inch	12W 12 Watts	

BLACK & CHROME TRIM FOR 7IN. ROUND SURFACE MOUNT LED CEILING LIGHT:

DESCRIPTION:

The material used is SPOC 7, a 0.02inch cold-rolled plate suitable for stamping. The surface must be clean and tidy, free from scratches, cracks, burrs, or flare deformation. Unmarked tolerances should comply with the intermediate requirements of the GB/T1804-2000 standard and unmarked drawing angles should have a radius of 0.3. The unmarked surface and dimensions should follow the 3D documentation. All products must meet ROHS inspection standards.



Color: Black

NUR-SLSM-R-TRIM- 7"-B



Color: Chrome

NUR-SLSM-R-TRIM- 7"-C

DIMENSION:

