

SINGLE HEAD SECURITY LIGHT

DESCRIPTION:

Single Head Security Light is a 10W outdoor light. It is available in 3000K and 5700K color temperature with 900 – 1000 lumens. Rated at >0.9 power factor this security light can replace 60W CLF. Features with aluminum alloy housing and optical grade lampshade for efficient heat dissipation, corrosion resistance and excellent light diffusion. Waterproof and dustproof housing makes it ideal for various outdoor settings.

FEATURES:

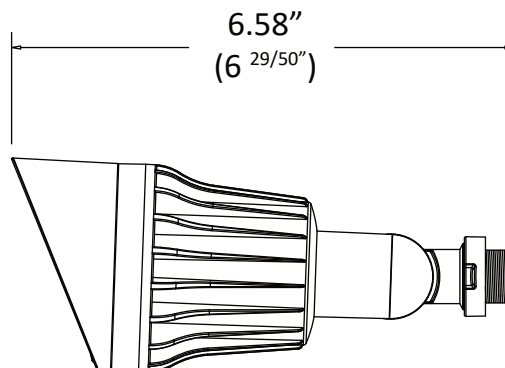
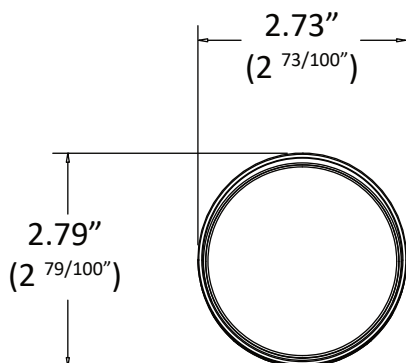
- Easy to install
- Energy-efficient, long-lasting high-brightness LED
- Durable optical grade lampshade; resistant to aging and damage
- High thermal conductivity aluminum alloy for effective heat dissipation; corrosion-resistant
- Strict waterproof and dustproof standards in line with international standards
- Weather-resistant design maintains lighting quality



APPLICATIONS:

- Indoor and outdoor lighting,
- Stair light
- Pathways light
- Landscape Lighting
- Courtyards

DIMENSIONS:



TECHNICAL SPECIFICATIONS:

Wattage	10W
Working frequency	50/60Hz
Power factor	>0.9
Rated voltage	AC100-277V
Equiv. Power of CLF	60W
Color Temperature	3000K/5700K
Lumen	900-1000LM
Light efficiency	90-100 LM/W
CRI	>80
Beam angle	100°
Dimmable	Yes
Lifespan	30000 Hours
Certification	ETL,FCC

ACCESSORIES:

Security Occupancy Sensor

- SKU: SEC-OCS-BNZ/WHT
- Color: Bronze and White
- Dection range: 150°-180°
- Vertical detection range: 90°
- Time setting: 5s to 5min.s
- Installation height: 3.3 to 13.1 ft standard
- Height: 8.2 ft.



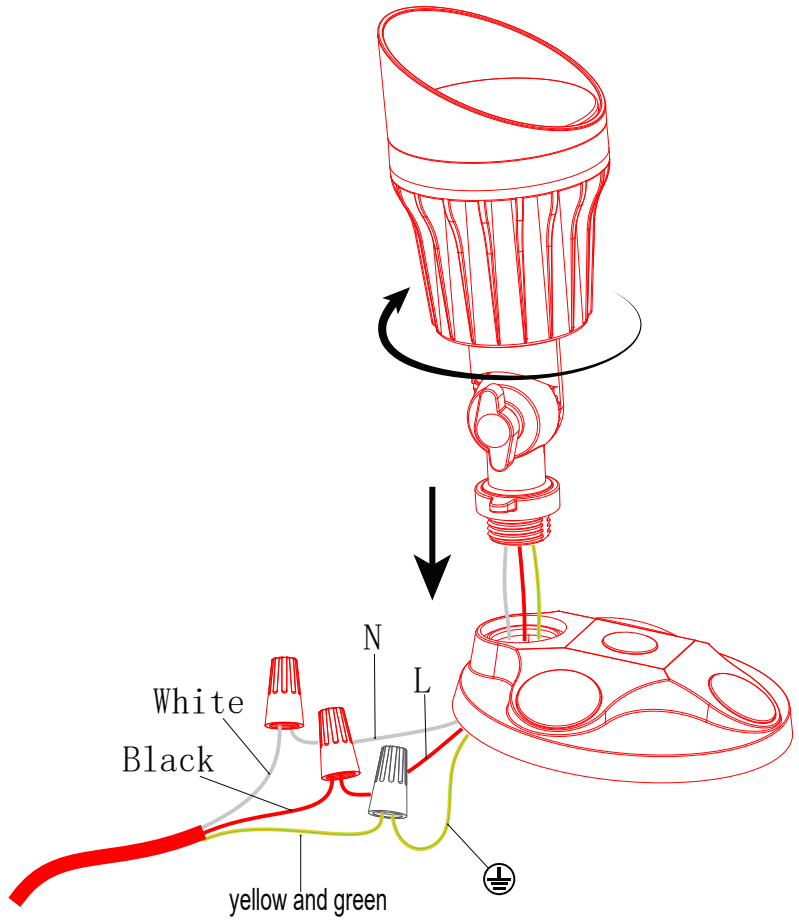
Security Plate

- SKU: SEC-MNT-BNZ/WHT
- Color: Bronze and White



INSTALLATION:

Connect the black wire to the corresponding black wire, the white wire to the corresponding white wire, and the yellow-green wire to the corresponding yellow-green wire. Secure the replacement safety lamp holder by screwing it in clockwise until it is firmly installed in the base.



ORDERING GUIDE		Example: SEC-H-BNZ-3000K
Fixture Type <input type="text" value="SEC-H"/>	Finish <input type="text"/>	Color Temperature <input type="text"/>
	BNZ Bronze WHT White	3000K 5700K