

FLOOD LIGHT-FL05

FEATURES:

- Rugged one-piece, die-cast aluminum housing secures the thermally conductive LED panel and electrical chamber.
- Low profile, 3G vibration-rated compact design minimizes wind load requirements.
- Housing is completely sealed against moisture and environmental contaminants.
- Light engines are available in standard 5000K (70 CRI) configurations.
- Optics are precisely designed to shape the distribution, maximizing efficiency and application spacing.
- The optics can conform to dark sky requirement.
- Optional occupancy sensor.
- Optional Photocell.
- Suitable for mounting heights ranging from 26-50' in area lighting applications.
- Designed for an easy, one-person installation.



APPLICATIONS:

- Parking Lots
- Facade Lighting
- Wall Pack
- Billboard Lighting
- Building Lighting
- Grocery Stores and other public areas

WATTAGE ADJUSTABLE:

300W

Setting	Voltage	Wattage	Lumens (5000K)	Lumens Per Watt (5000K)
80%	120-277V	240W	33600lm	140lm/W
60%	120-277V	180W	25200lm	140lm/W
40%	120-277V	120W	16800lm	140lm/W

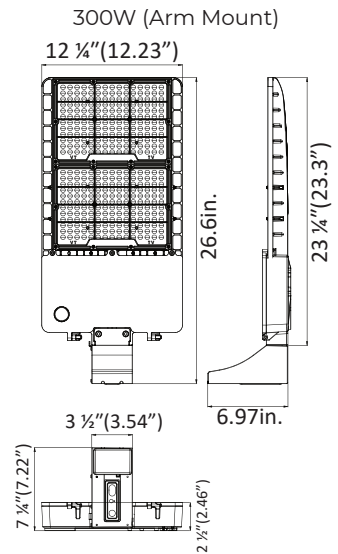
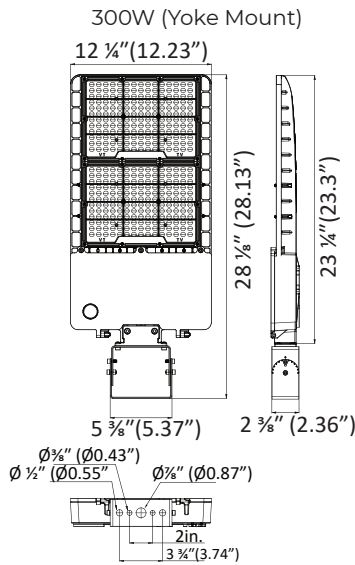
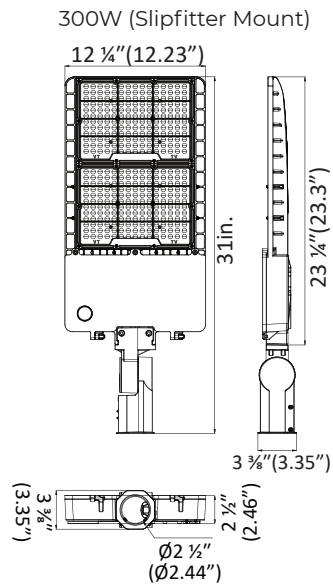
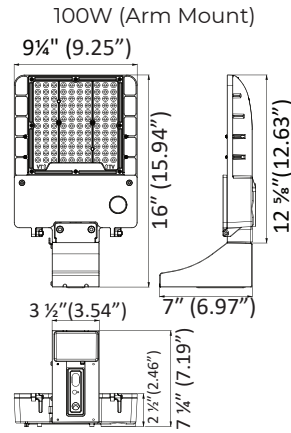
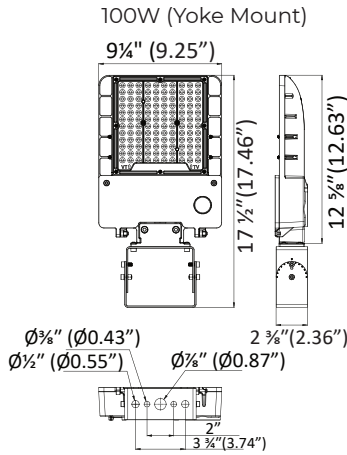
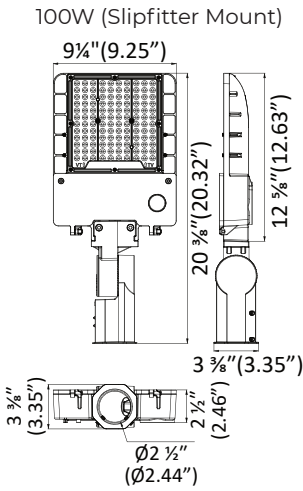
100W

Setting	Voltage	Wattage	Lumens (5000K)	Lumens Per Watt (5000K)
80%	120-277V	80W	11200lm	140lm/W
60%	120-277V	60W	8400lm	140lm/W
40%	120-277V	40W	5600lm	140lm/W

TECHNICAL SPECIFICATIONS:

Input Voltage	120-277V 347-480V (Special Order)	
Wattage	100W	300W
Lumens (5000K)	14000lm	42000lm
Lumens Per Watt (5000K)	140 lm/W	140 lm/W
CRI	70	
Power Factor	≥90%	
Operating Temperature	-40°F to 104°F	
Warranty	5 years	

DIMENSIONS:



EFFECTIVE PROJECTED AREA:

Item							
	1	2 @90°	2 @120°	2@180°	3 @90°	3 @120°	4 @90°
100W	0.2751	0.5267	0.7321	0.6164	0.9577	0.9837	0.9577
300W	0.4097	0.7227	0.9919	0.8856	1.1986	1.3049	1.1986

MOUNTING:



Arm Mount
SKU: NUR-MNT05-PM(ARM)-BNZ

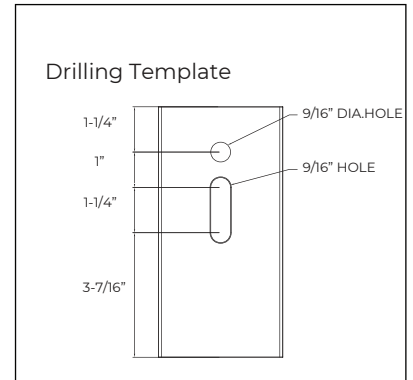
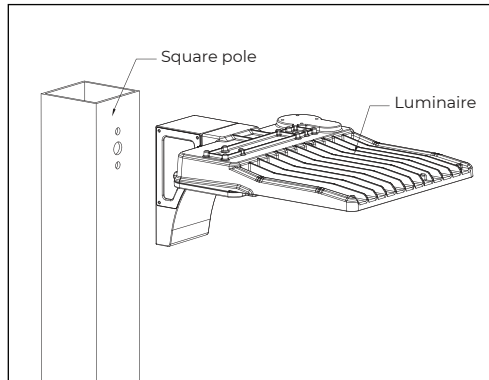
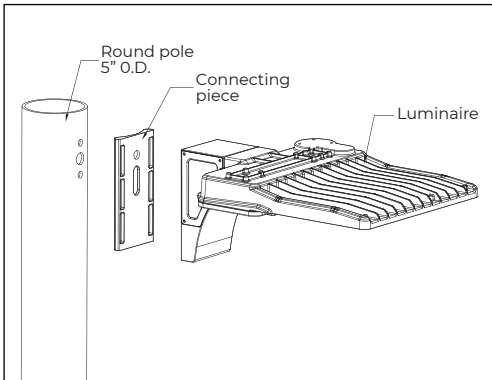


Slipfitter Mount
SKU: NUR-MNT05-SF-BNZ

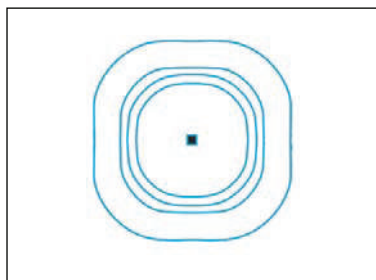


Yoke Mount
SKU: NUR-MNT05-YK-BNZ

MOUNTING DIMENSIONS:



PHOTOMETRICS TYPE V:



ORDERING GUIDE:

SKU: NUR-FL05-100W-5000K			
Brand	Model	Wattage	Color Temperature
NUR	FL05	100W 300W	5000K

ACCESSORIES:**SHORTING CAP FOR AREA LIGHT:**

SKU: NUR-FL5-SC
Input Voltage: 120-277V
Shorting cap is included

**TWIST LOCK PHOTOCELL SENSOR FOR AREA LIGHT:**

SKU: NUR-FL05-PC
Input Voltage: 120-277V
Photocell is optional

